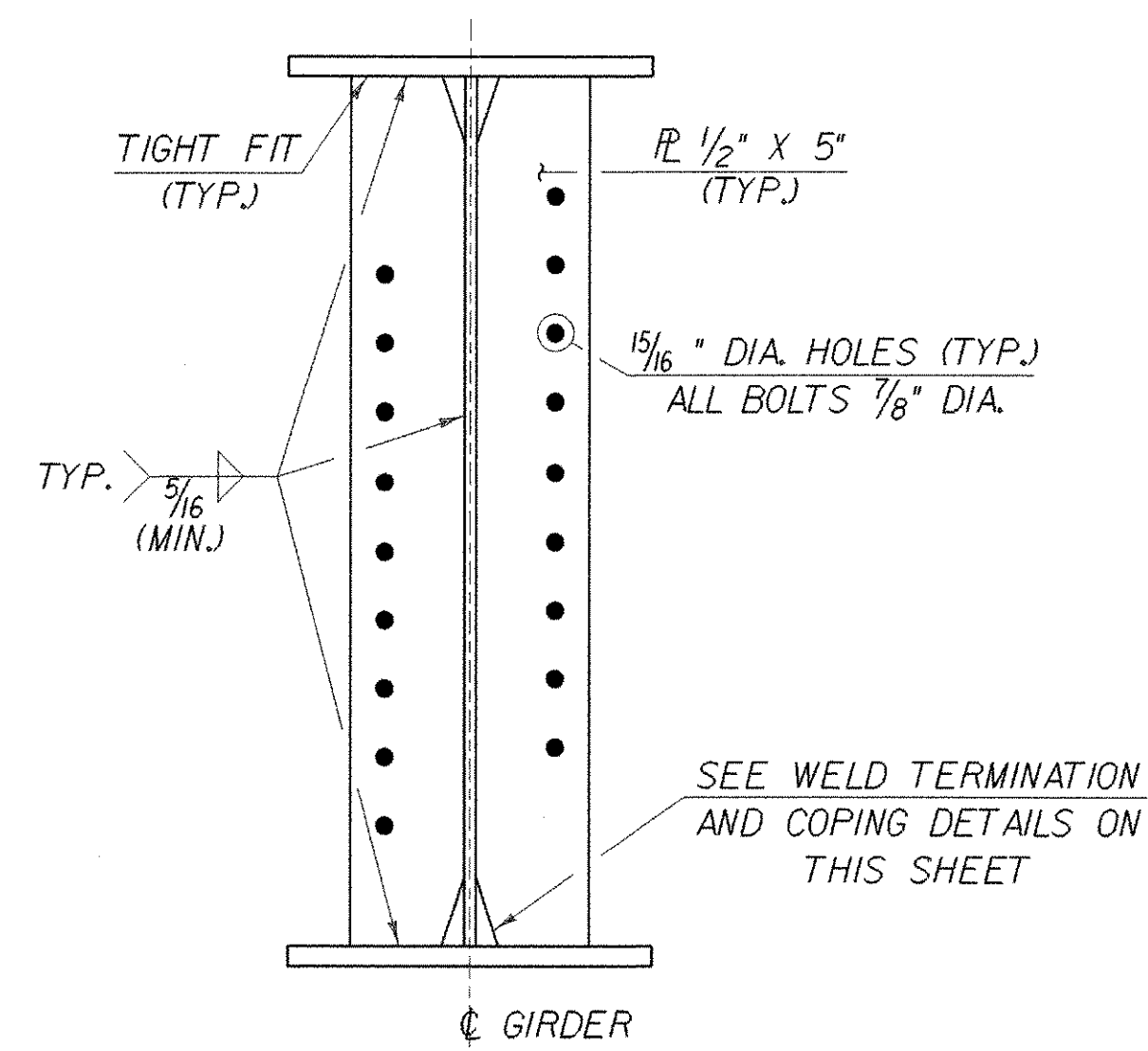
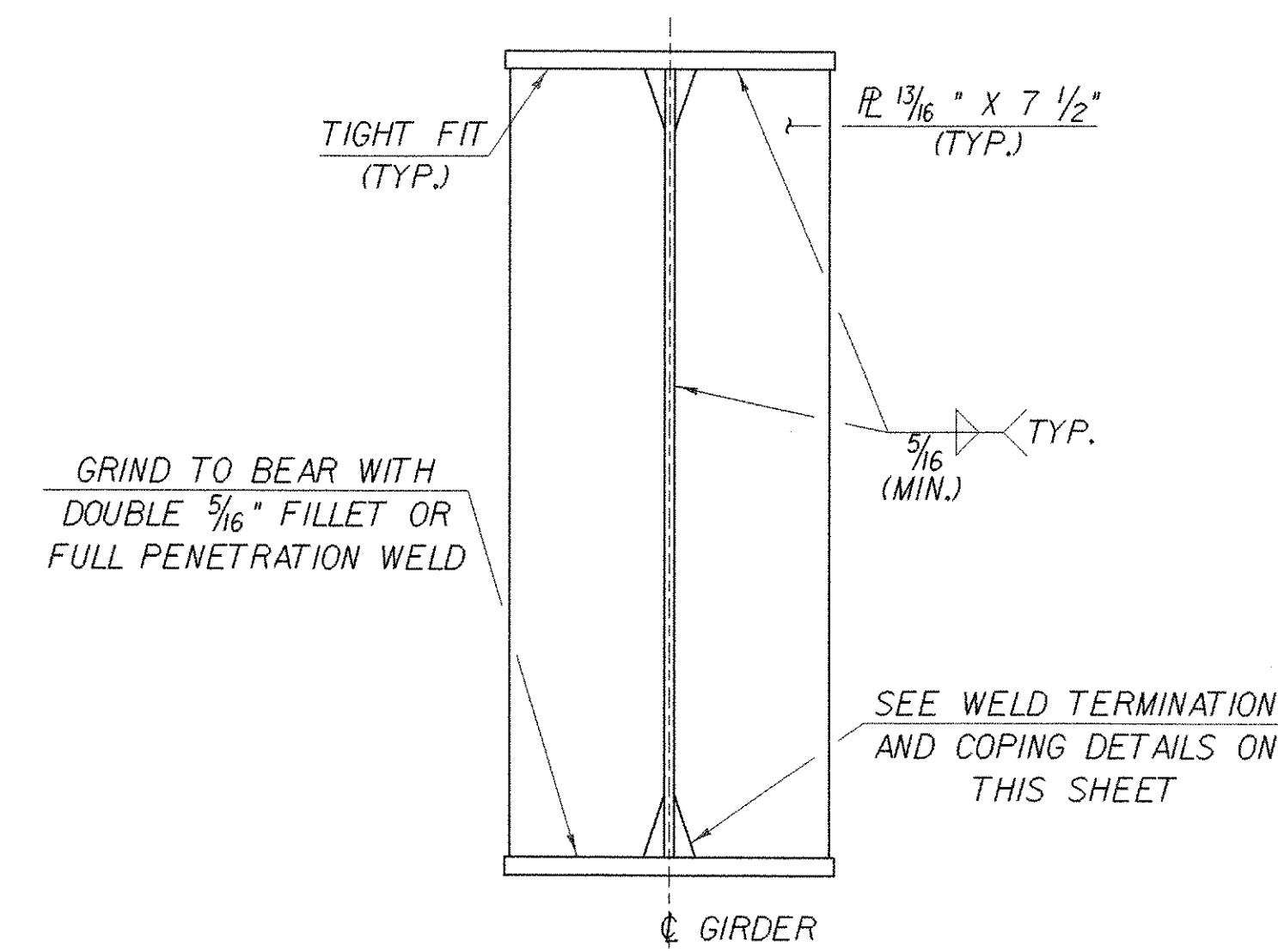


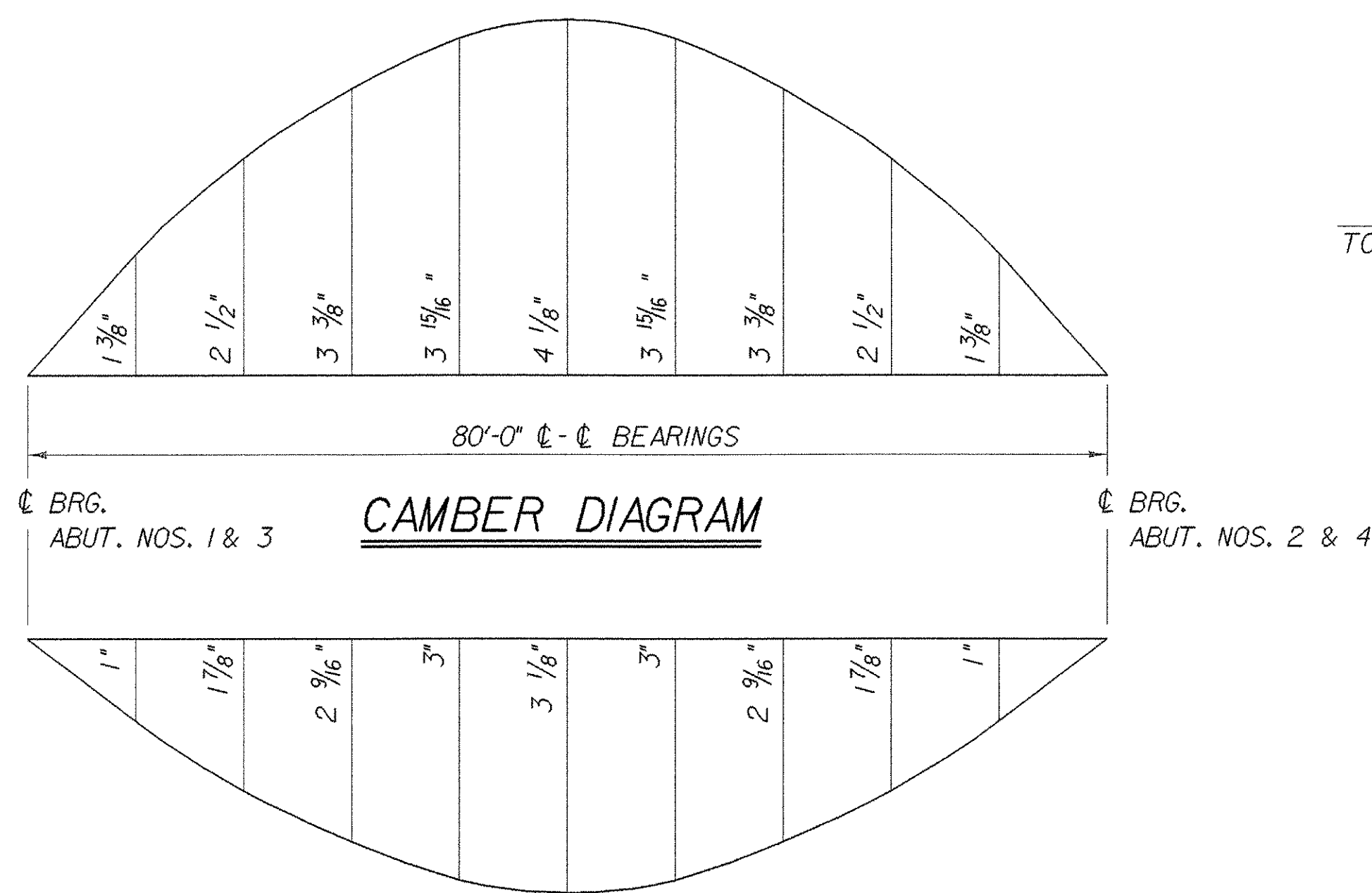
**INTERMEDIATE DIAPHRAGM**  
SCALE: 1/2" = 1'-0"



**INTERMEDIATE DIAPHRAGM CONNECTION PLATE**  
SCALE: 1/2" = 1'-0"

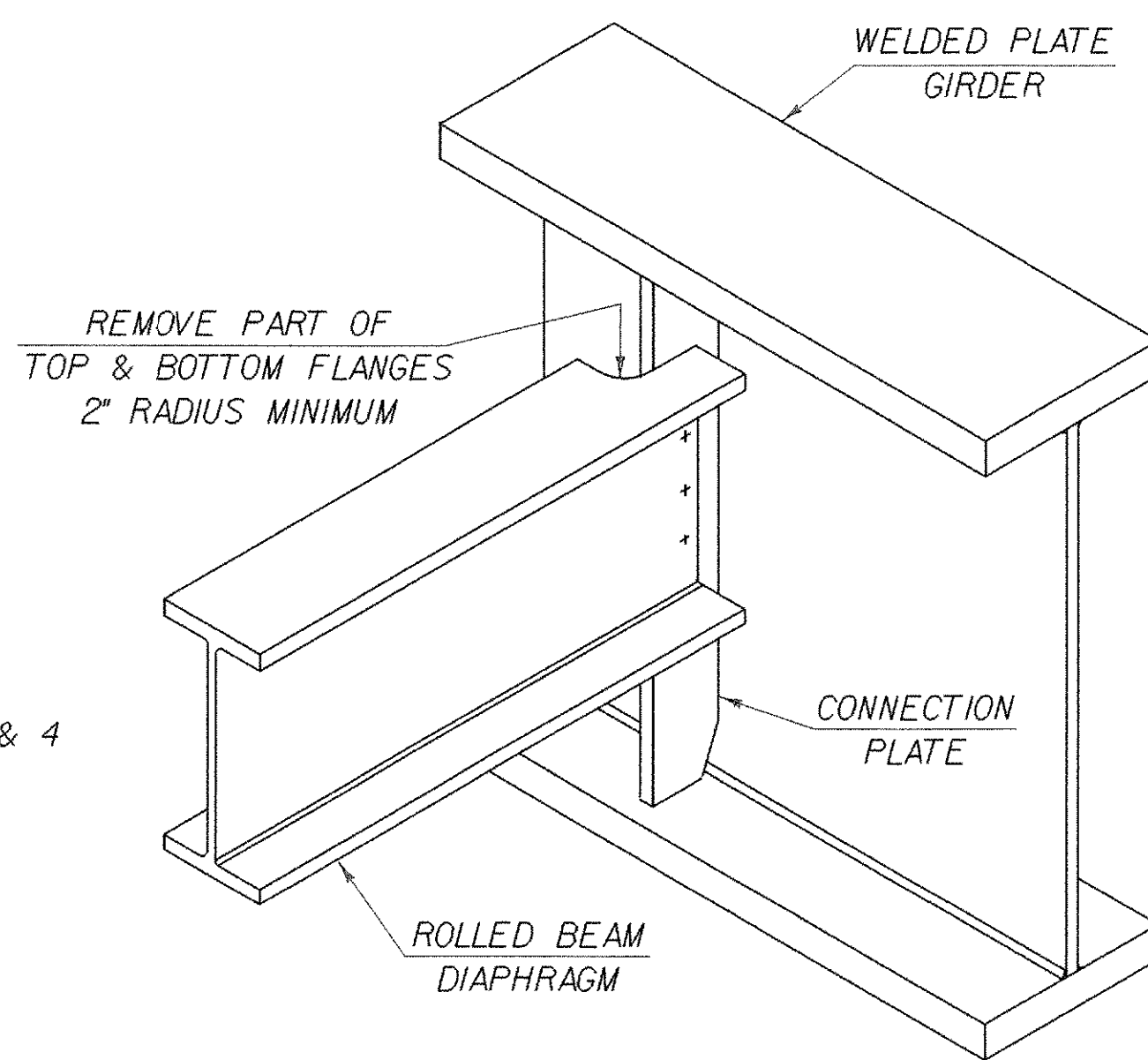


**ABUTMENT BEARING STIFFENER**  
SCALE: 1/2" = 1'-0"

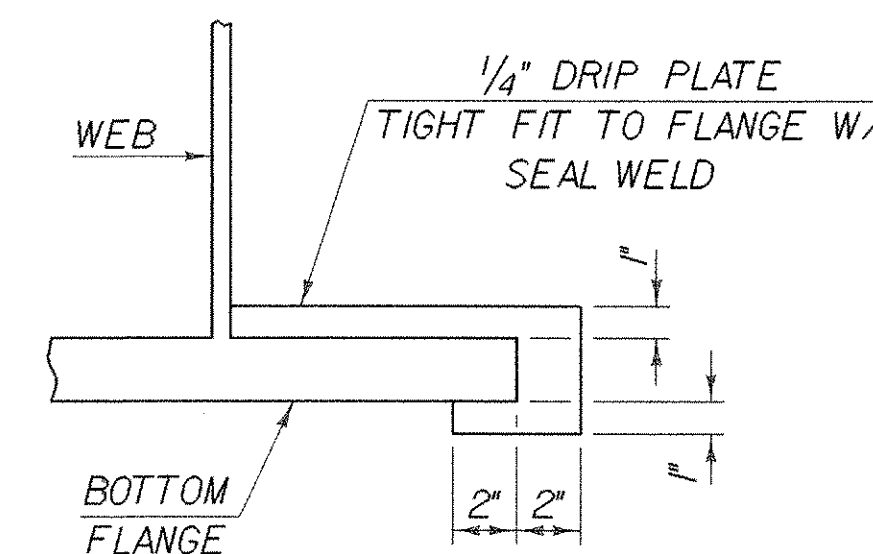


**DEFLECTION DIAGRAM**

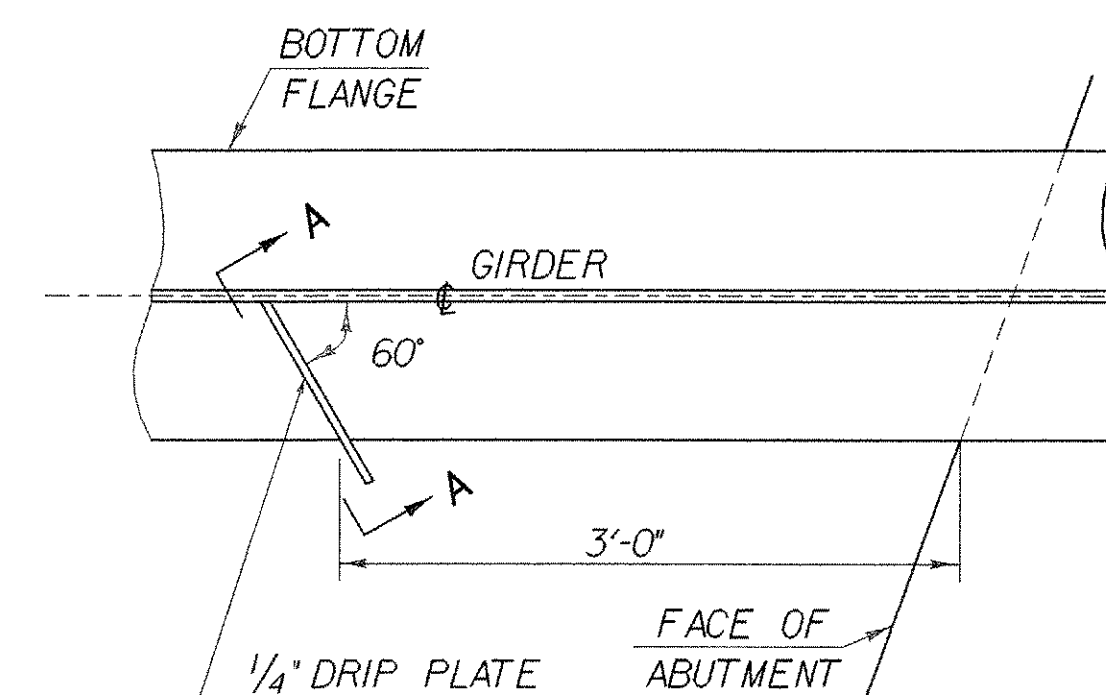
NOTE: CAMBER AND DEFLECTION MEASUREMENTS ARE GIVEN IN INCHES @ TENTH POINTS. MEASUREMENTS INCLUDE GIRDER SELF-WEIGHT.



**ROLLED BEAM USED AS DIAPHRAGM**  
SEE CONTRACT DRAWINGS FOR SIZES OF MEMBERS AND CONNECTION DETAILS

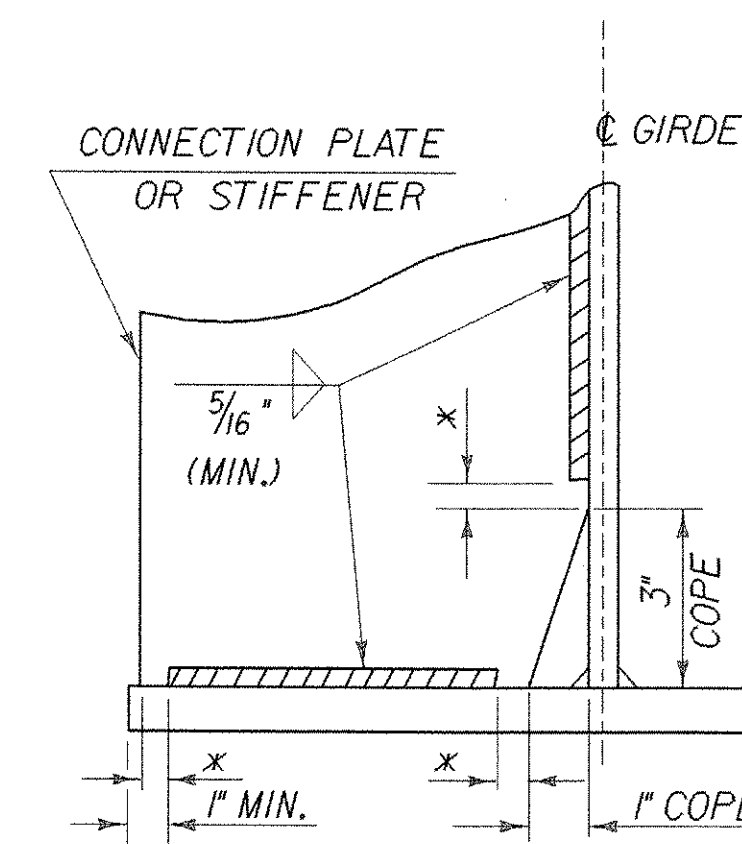


**SECTION A - A**



**DRIP PLATE PLAN**

NOTE: DRIP PLATES SHALL BE PLACED ON OUTSIDE EDGE OF FASCIA GIRDERS ON THE HIGH SIDE OF ABUTMENTS OR AS INDICATED ON PROJECT PLANS.



**WELD TERMINATION AND COPING DETAILS FOR WELDED PLATE GIRDERS**

\* NO WELD FOR 1/4" MIN. 1/2" MAX. (EXCEPT MUST MAINTAIN 1" MIN. FROM EDGE OF FLANGE)

<b>STATE OF VERMONT AGENCY OF TRANSPORTATION</b>	
Town Of <b>FAIRFAX-FAIRFIELD-ST. ALBANS</b>	Bridge No. <b>87 N &amp; S</b>
Highway No. <b>1-89</b>	Log Sta. Surv. Sta.
<b>1-89 OVER VT 104</b>	
<b>STRUCTURAL STEEL CONNECTION DETAILS</b>	
Designed By <b>M. LOZIER</b>	Drawn By <b>K. CHISHOLM</b>
Checked By <b>G. ROY</b>	Bridge Design Supervisor Date <b>10 / 99</b>
PROJECT <b>FAIRFAX-FAIRFIELD-ST. ALBANS</b>	PROJECT NO. <b>1M 089 - 3 (27)</b>
I.G.C. Info. <b>94J106Structures\sj106fr.dgn</b>	sd056fr5J
Bridge Sheet No. <b>BR210</b>	Sheet <b>88</b> of <b>370</b>