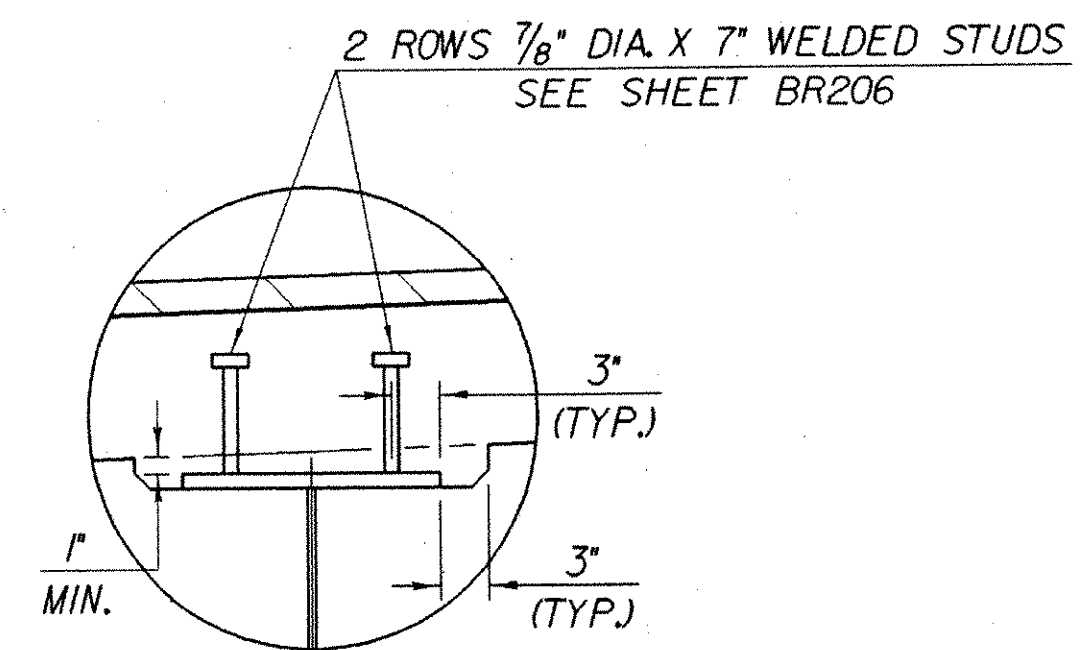


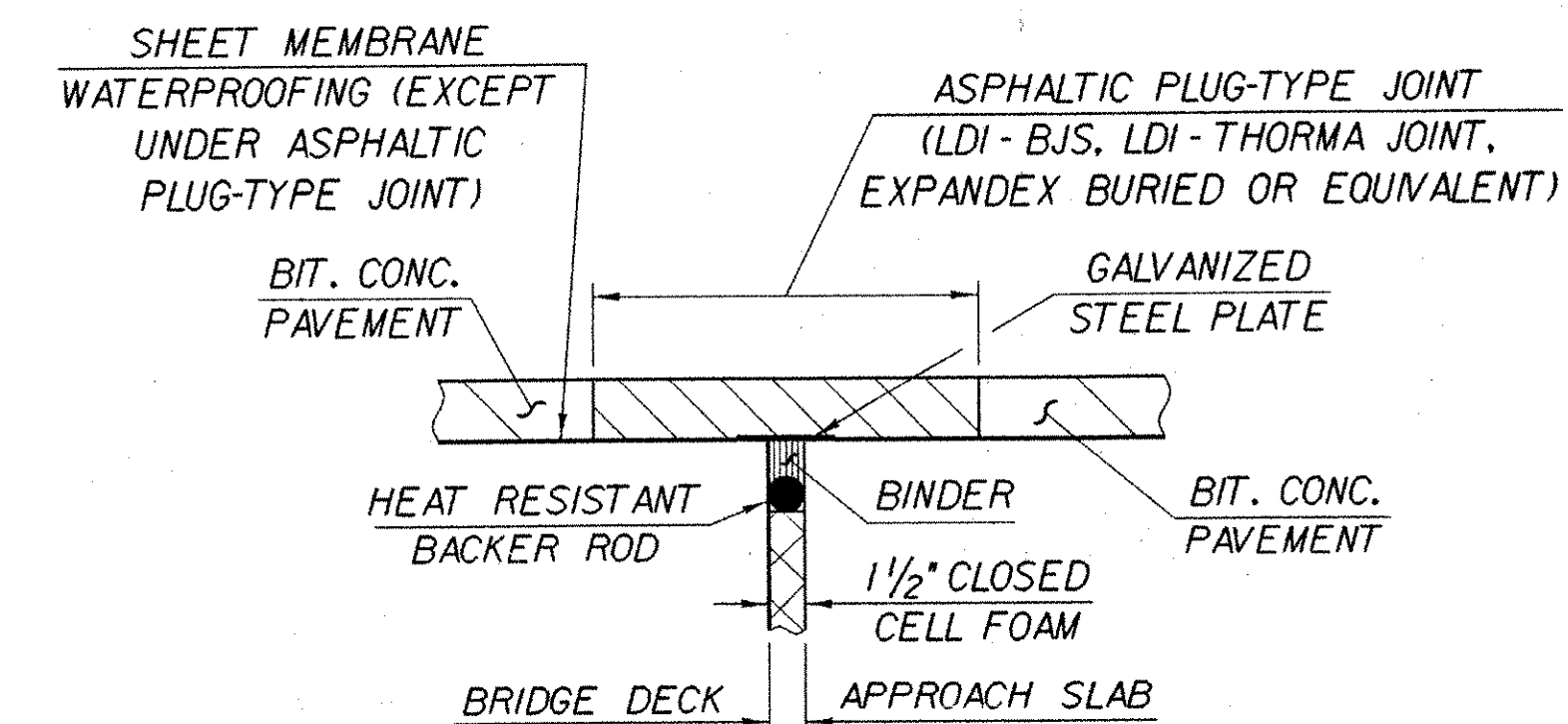
**BRIDGE 87S TYPICAL SECTION**

SCALE: 1/2" = 1'-0"

\* 1ST LIFT: 1 3/8" TYPE IVS  
2ND LIFT: 1 3/4" TYPE IIIS

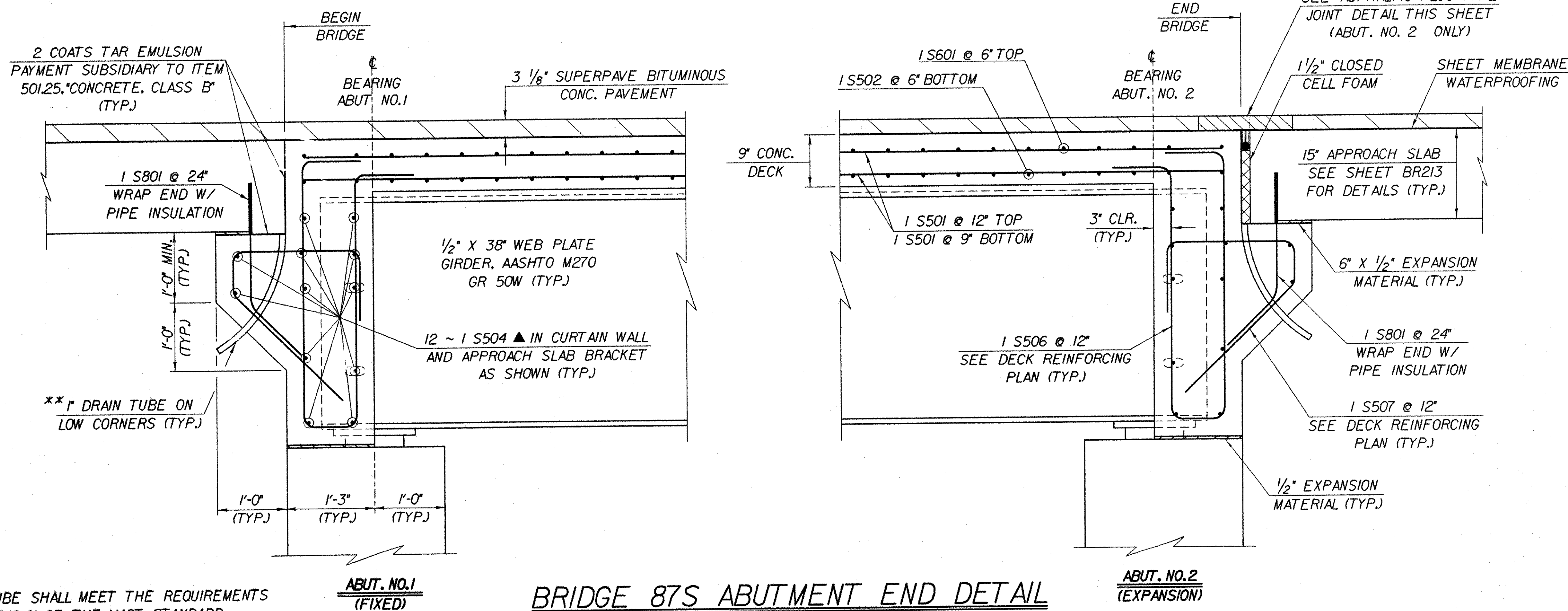


**DETAIL "A"**  
SCALE: 1" = 1'-0"



**ASPHALTIC PLUG-TYPE JOINT DETAIL**  
NTS

ALL MATERIALS, LABOR, AND INCIDENTALS NECESSARY FOR THE INSTALLATION OF THE PAVEMENT JOINT DETAILED ABOVE SHALL BE PAID FOR UNDER ITEM 516.10, "BRIDGE EXPANSION JOINT".



**BRIDGE 87S ABUTMENT END DETAIL**

(NORMAL TO C BEARING)  
SCALE: 1" = 1'-0"

\*\* MATERIAL FOR TUBE SHALL MEET THE REQUIREMENTS OF SUBSECTION 740.01 OF THE VAOT STANDARD SPECIFICATIONS FOR CONSTRUCTION. PAYMENT SHALL BE MADE SUBSIDIARY TO ITEM 501.25, "CONCRETE, CLASS A".

**IMPORTANT NOTE: BRIDGE FINISHED GRADES ARE CENTERLINE GRADES.**

<b>STATE OF VERMONT AGENCY OF TRANSPORTATION</b>	
Town Of <b>FAIRFAX-FAIRFIELD-ST. ALBANS</b>	Bridge No. <b>87 S</b>
Highway No. <b>1-89</b>	Log Sta. <b>1-89</b> Surv. Sta. <b>1-89 SB OVER VT 104</b>
<b>87S BRIDGE DECK DETAILS</b>	
Designed By <b>M. LOZIER</b>	Drawn By <b>K. CHISHOLM</b>
Checked By <b>G. ROY</b>	Bridge Design Supervisor <b>R.R. WHITCOMB</b> Date <b>11/99</b>
PROJECT <b>FAIRFAX-FAIRFIELD-ST. ALBANS</b>	PROJECT NO. <b>1M 089 - 3 (27)</b>
I.G.C. Info. <b>96a056Structures\so056sp2.dgn</b>	so056sp4j
Bridge Sheet No. <b>BR204</b>	Sheet <b>82</b> of <b>370</b>