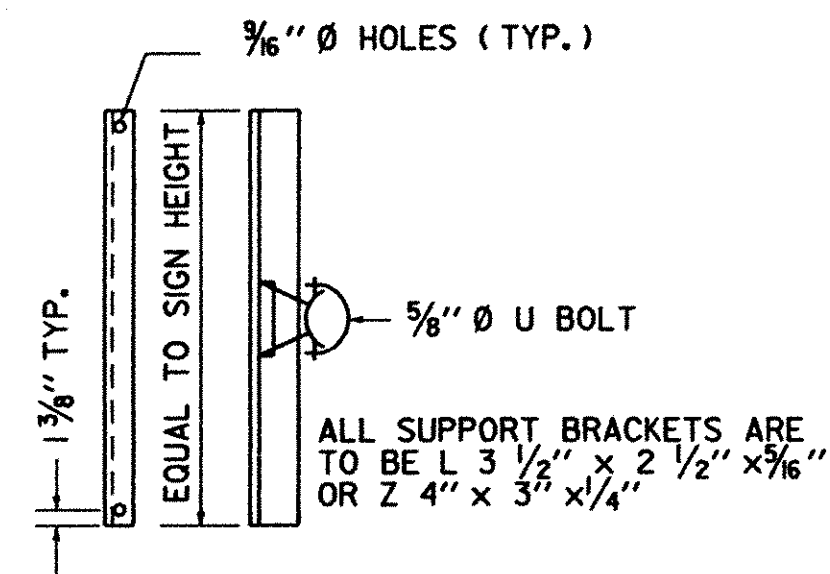
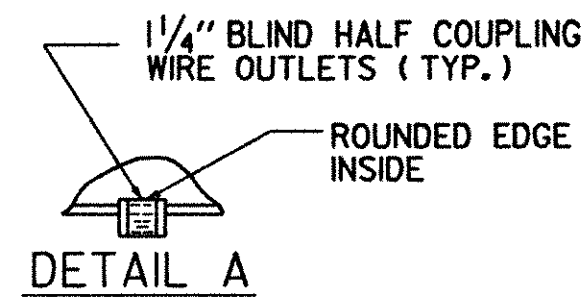


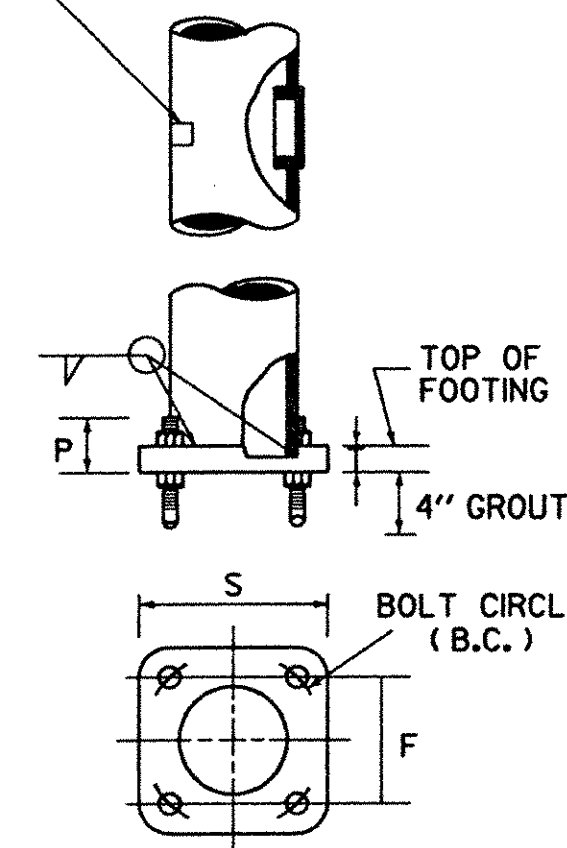
TYPE C
SINGLE MASTARM WITH LUMINAIRE



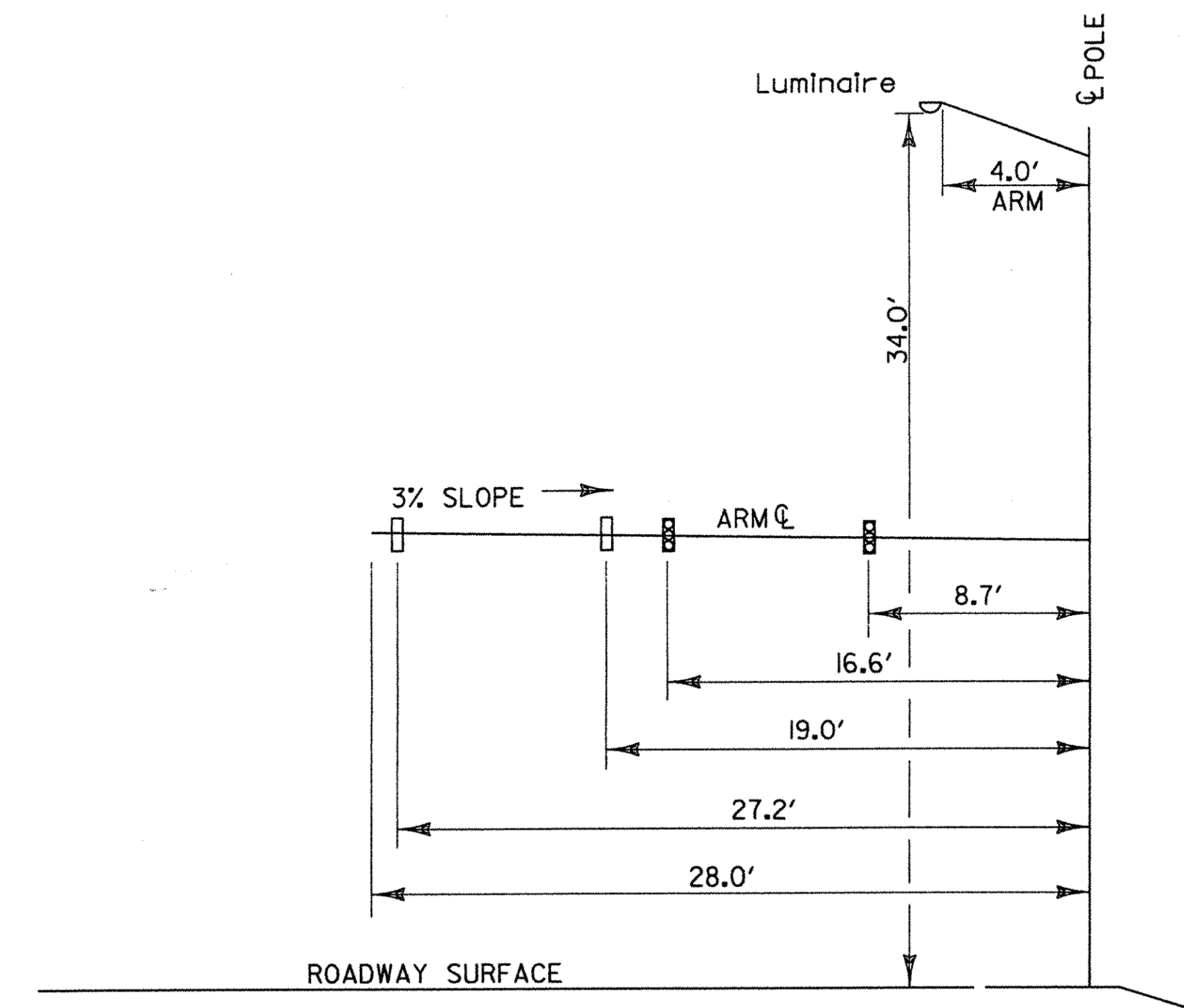
SIGN ON SINGLE MASTARM
SIGN BRACKET DETAILS

POLE DATA		POLE BASE DATA					
TYPE	GAGE AND POLE SIZE	BC	F	S	T	P	ANCHOR BOLT SIZE

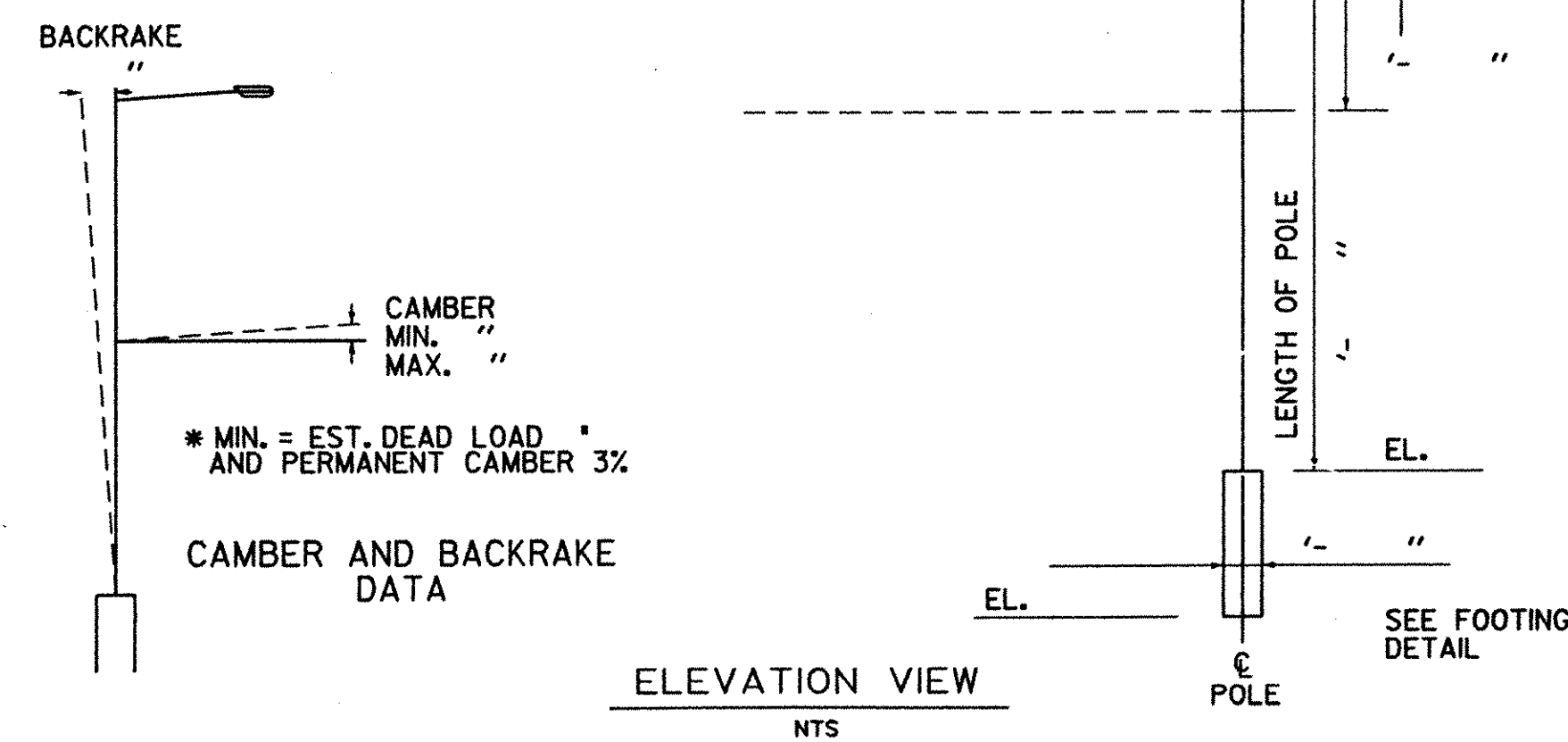
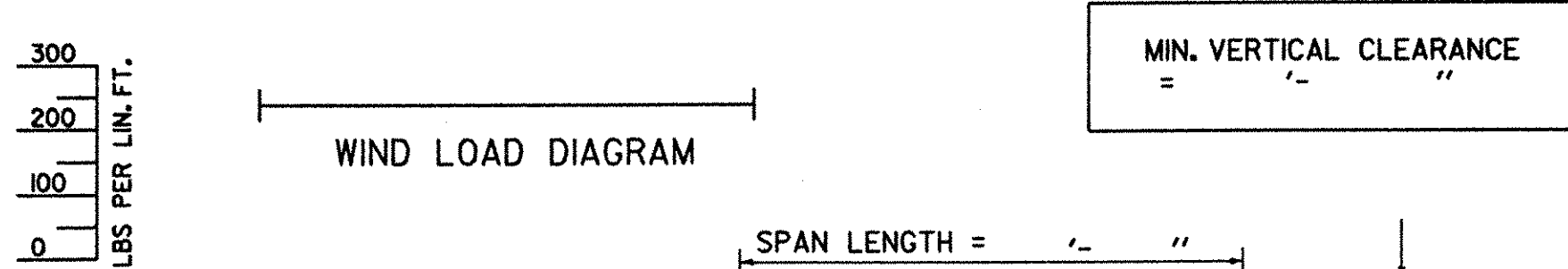
GROUND WIRES SHALL BE ANCHORED TO THE STRUCTURE INSIDE THE MANHOLE ACCESS ASSEMBLY WITH A SUITABLE ANCHORING DEVICE HAVING A MINIMUM DIAMETER OF ONE-HALF (1/2) INCH.



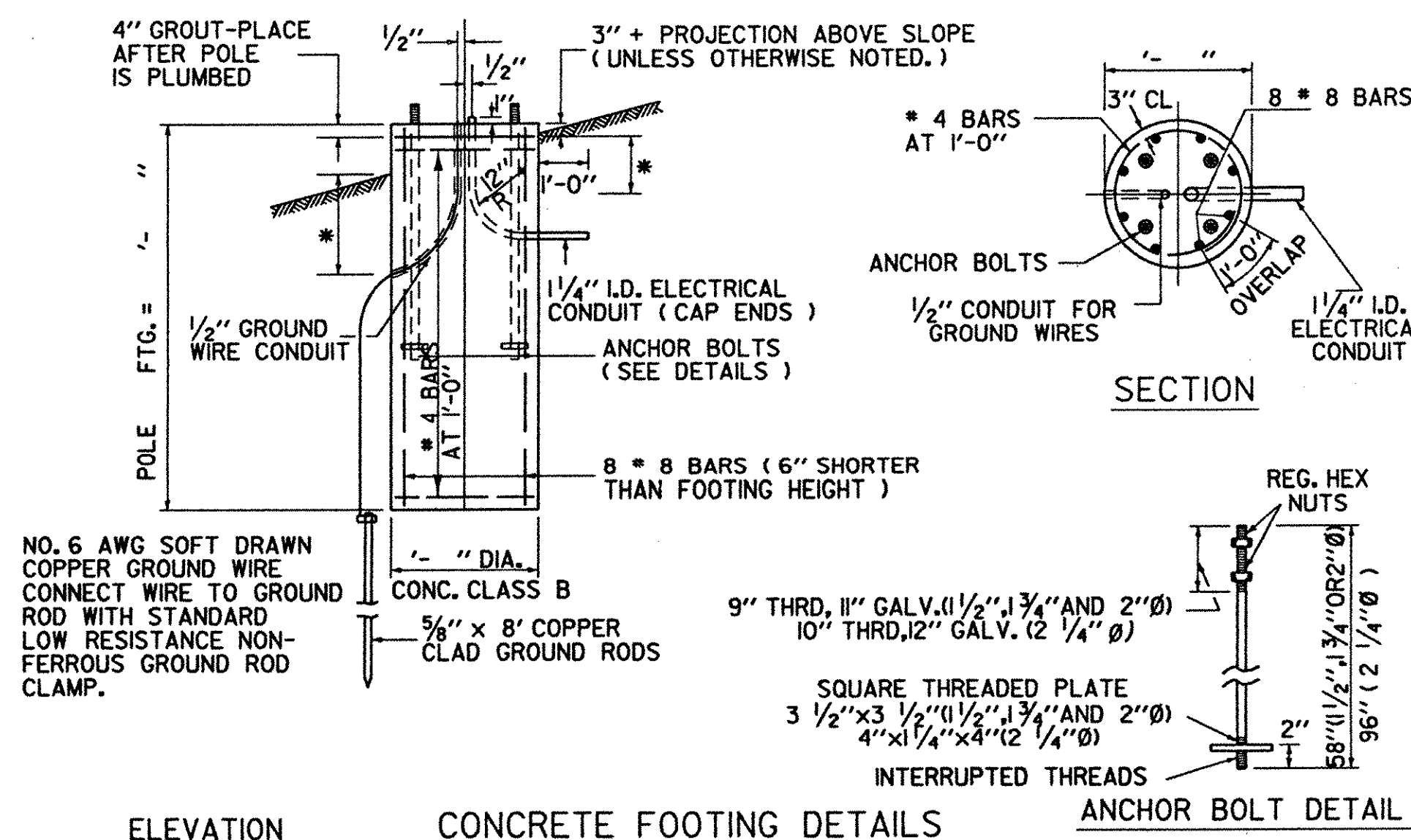
POLE BASE DETAIL



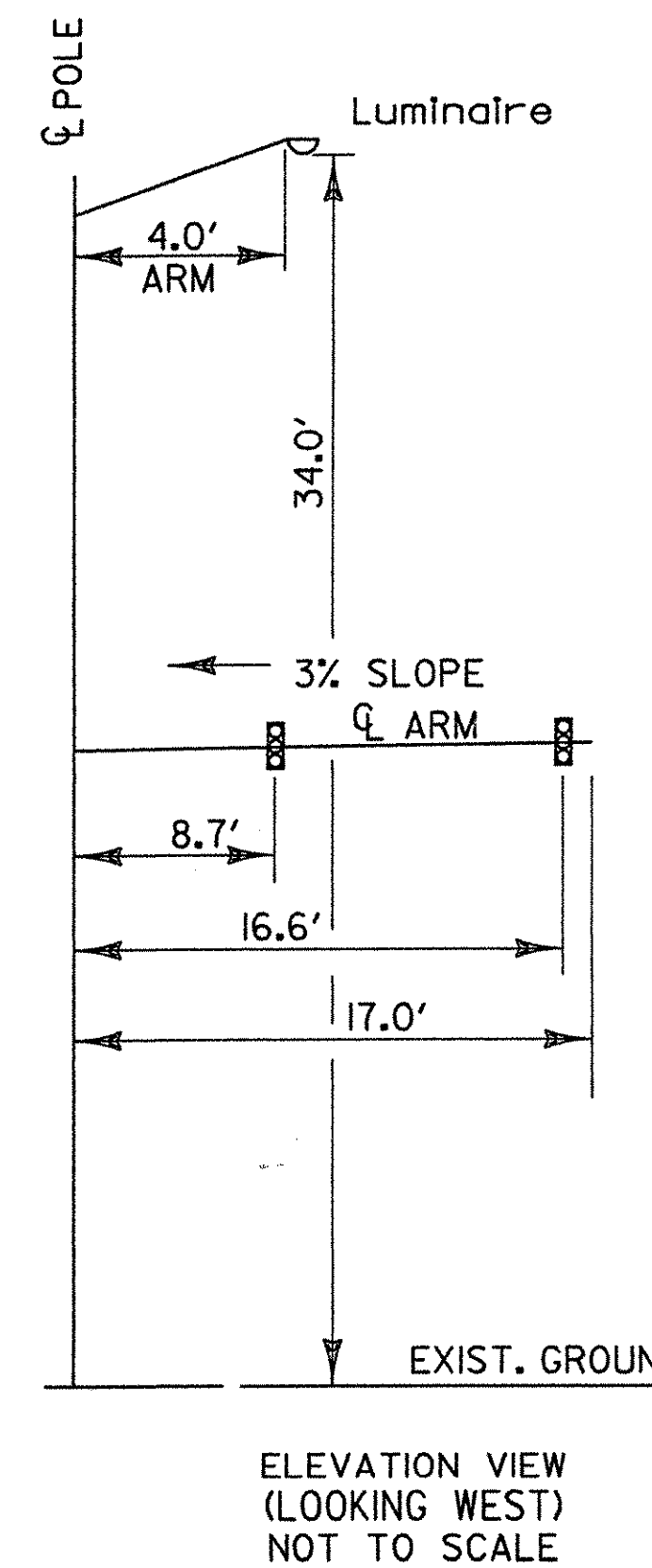
ELEVATION VIEW (LOOKING NORTH)
NOT TO SCALE



ELEVATION VIEW
NTS



ELEVATION CONCRETE FOOTING DETAILS ANCHOR BOLT DETAIL



ELEVATION VIEW (LOOKING WEST)
NOT TO SCALE

MAST ARM DETAILS

PROJECT NAME: Fairfax-Fairfield-St.Albans
PROJECT NUMBER: IM 089-3(27)

FILE NAME: Jr/104detour/te076a5.dgn PLOT DATE: 04-MAR-2000
PROJECT LEADER: dubray DRAWN BY: Jf gruchacz
DESIGNED BY: CHECKED BY:
tb002mad.l SHEET 44 OF 370