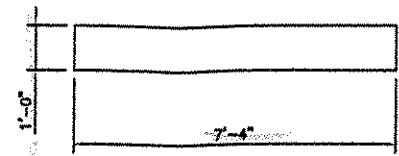
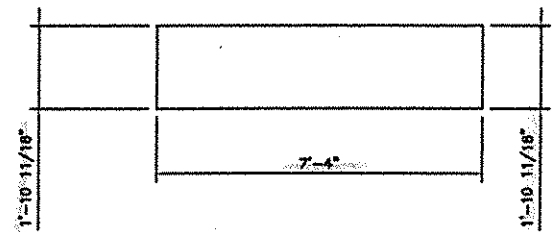


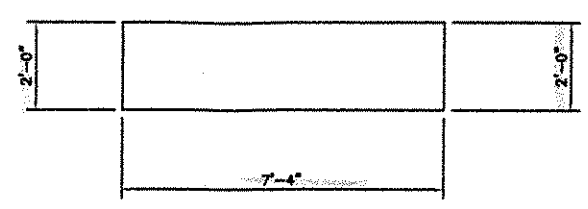
HEADWALL H1 PLAN VIEW



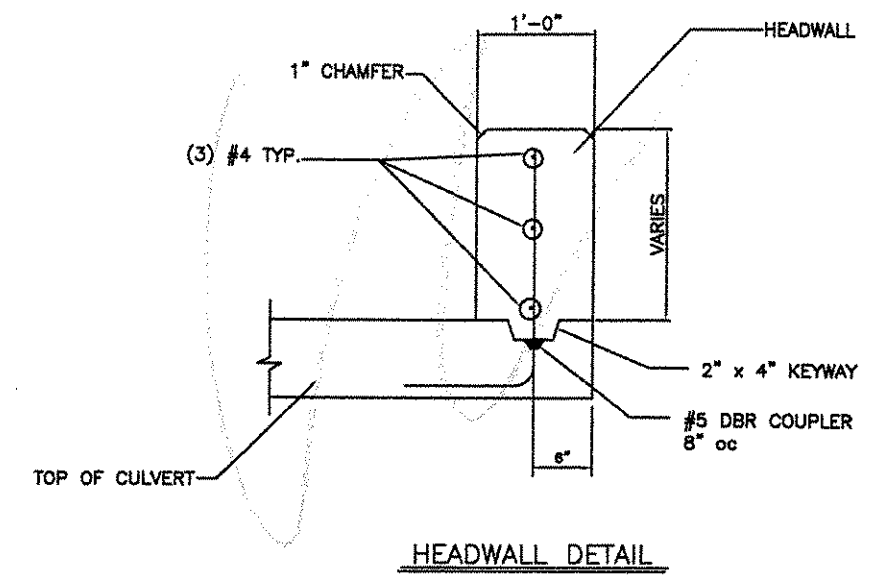
HEADWALL H2 PLAN VIEW



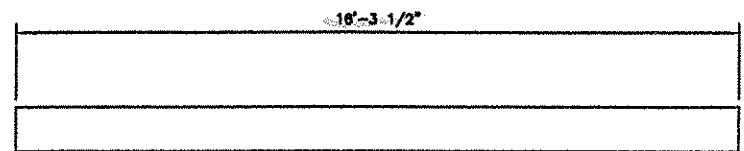
HEADWALL H1 ELEVATION VIEW



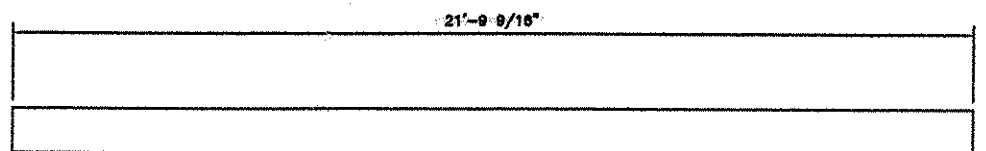
HEADWALL H2 ELEVATION VIEW



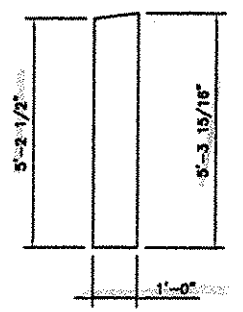
HEADWALL DETAIL



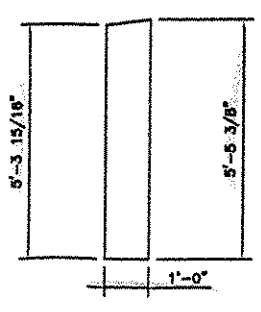
CUTOFF WALL C1 PLAN VIEW



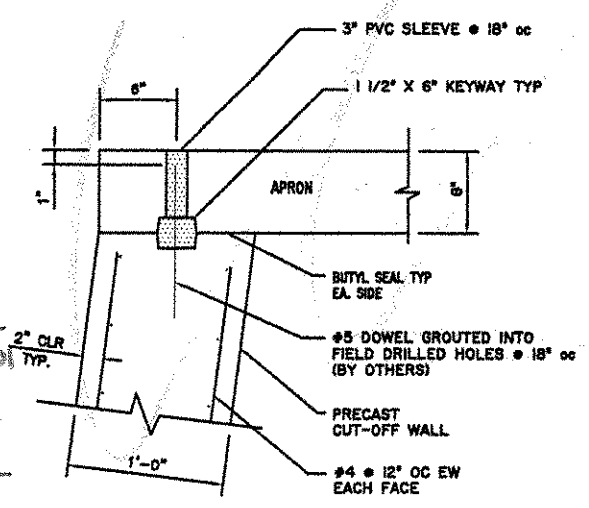
CUTOFF WALL C2 PLAN VIEW



CUTOFF WALL C1 END VIEW

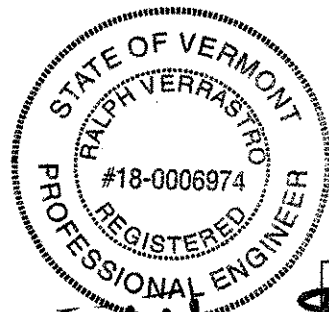


CUTOFF WALL C2 END VIEW



CUTOFF WALL DETAIL

V.A.O.T.
 RECEIVED
 OK'D BY *G. Roy* 3/21/01
 OK'D BY *mgl* 3/29/01
 MAR 21 2001
 REQUEST BY *mgl* APPROVED DATE 3-29-01



Ralph Verrastro
 2/21/01

DELTA ENGINEERS, P.C. ENGINEERS • ARCHITECTS <small>84 COURT STREET, DORCHESTER, VT 05820-3064 TEL: (802) 238-0200 FAX: (802) 238-0200 E-MAIL: delta@deltaengineers.com</small>	TOWN OF ST. ALBANS, VT. 6'-0" x 6'-0" x 78'-0" BR 87-3 NORTHBOUND		SHEET 3 OF 3
	CONTRACTOR: ENGINEER: <i>462</i> DWN BY: GAS CKD BY: RET	DWG ID: 1004-01 SCALE: NONE REV: 0 DATE: 2/12/01	