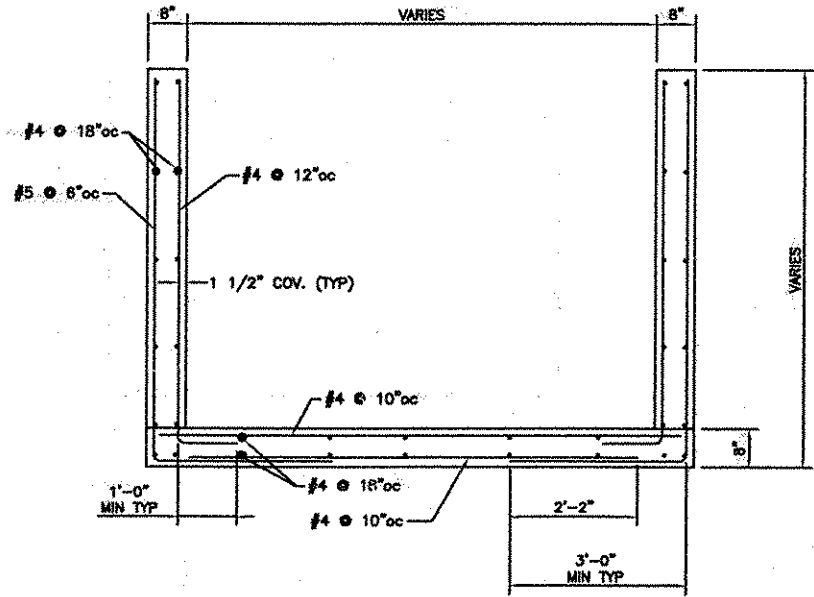
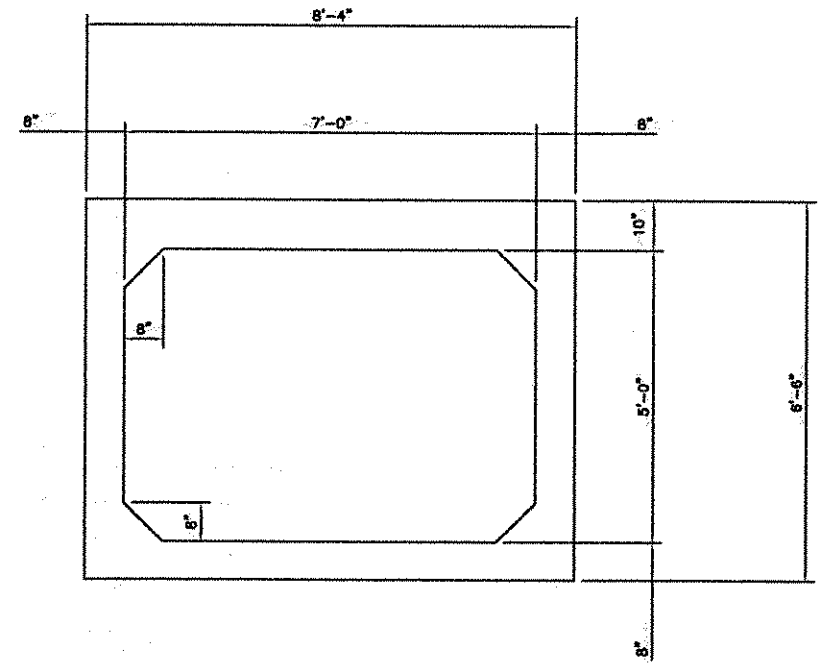


MK	Size	Spcc	Len	Type	A	B	C
As1	4	10"	117"	U"	1'-9"	6'-3"	1'-9"
As2	5	6"	96"	Str.	---	8'-0"	---
As3	5	12"	96"	Str.	---	8'-0"	---
As4	4	12"	72"	Str.	---	6'-0"	---
As5	4	10"	---	Str.	---	A/N	---
As6	4	10"	---	Str.	---	A/N	---
As7	4	10"	96"	Str.	---	8'-0"	---
As8	4	12"	96"	Str.	---	8'-0"	---

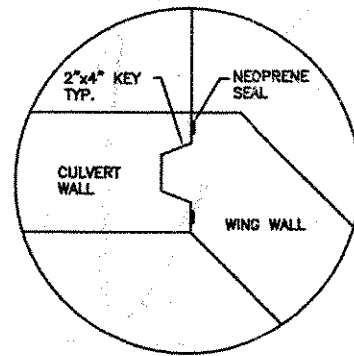
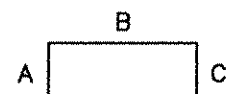
REINFORCEMENT TABLE



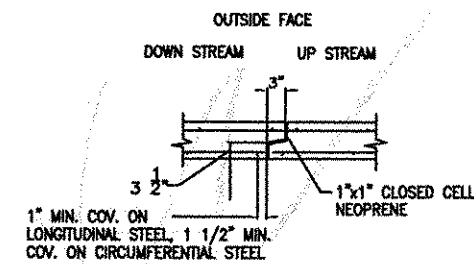
TYPICAL END SECTION



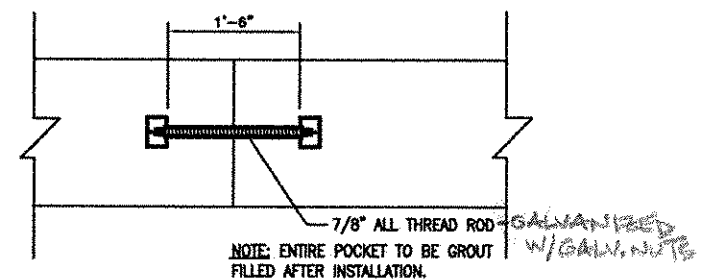
SECTION A-2



DETAIL B-2

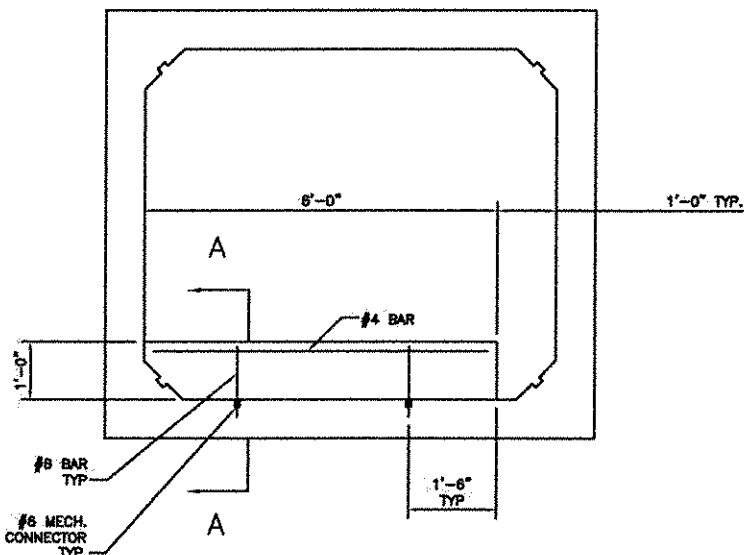


JOINT DETAIL

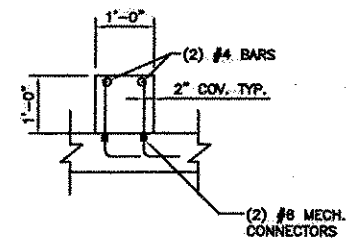


RECESSED DRAW CONNECTOR V.A.O.T. (4 PER SECTION) EMBED  
 CKD BY *C. Roy* 3-21-01  
 CKD BY *mgl* 3-29-01  
 MAR 21 2001

REQUEST *mgl* APPROVED *AS NOTED*  
 DATE 3-29-01



BAFFLE DETAIL



SECTION A-A



*Ralph Verrastro*  
 2/21/01

 DELTA ENGINEERS, P.C. ENGINEERS • ARCHITECTS <small>84 COURT STREET, BRIMFORD, VT 05004-309          TEL: 802/238-6000 FAX: 802/238-6000          E-MAIL: <a href="mailto:ralph@deltaengineers.com">ralph@deltaengineers.com</a></small>	TOWN OF ST. ALBANS, VT. 7'-0" x 5'-0" x 14'-0" DRIVE BOX CULVERT		SHEET 2 OF 3  PRECAST CONCRETE PRODUCTS
	CONTRACTOR: ENGINEER: 458 DWN BY: GAS CKD BY: RET	DWG ID: 1004-01 SCALE: NONE REV: 0 DATE: 2/12/01	