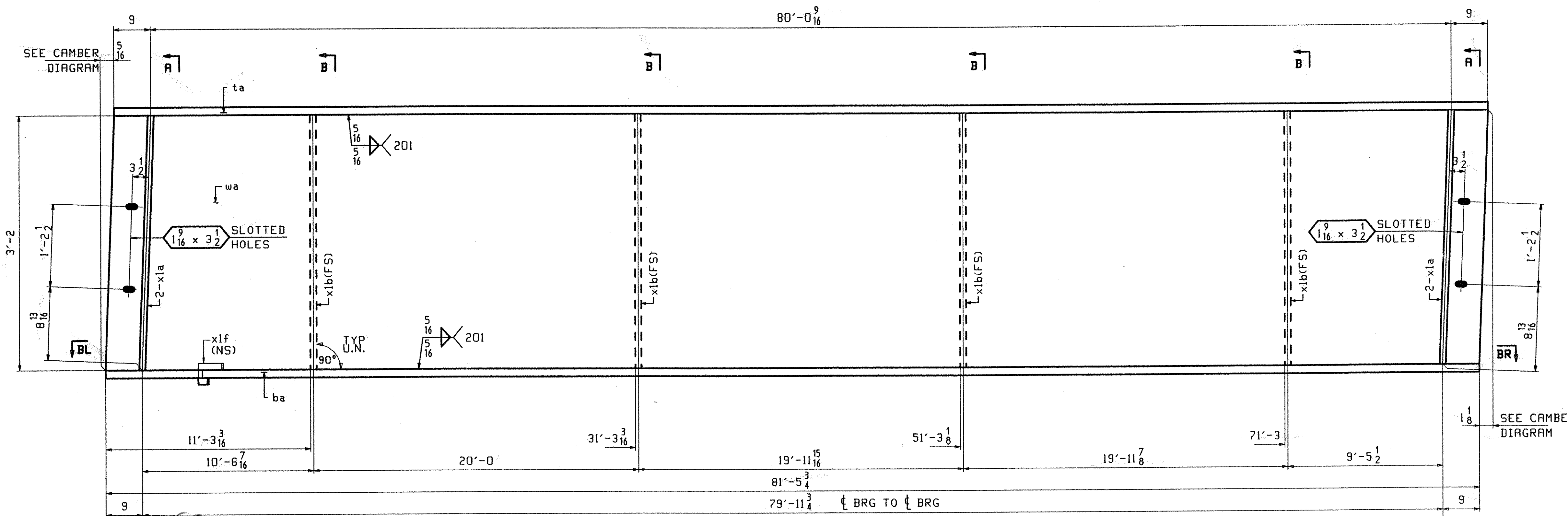
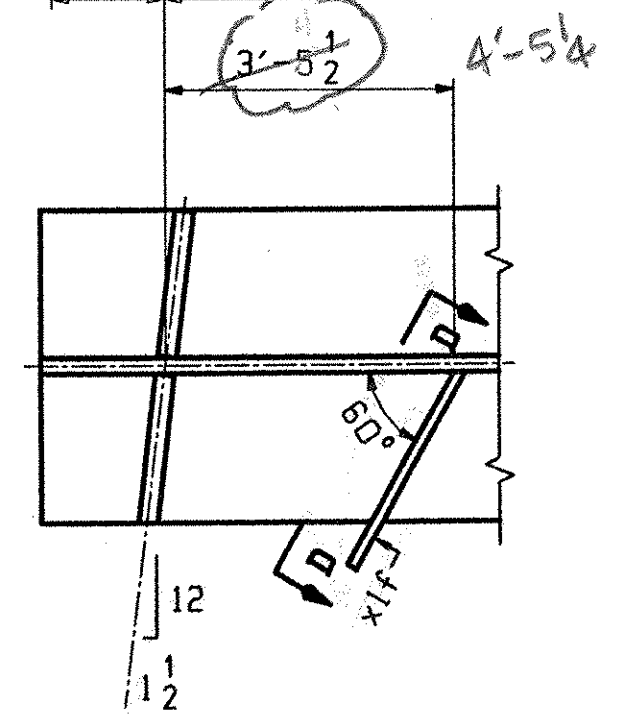


JOB NO.		DRAWING NO.		REV.					
3		3							
PAGE	LINE	MARK	QTY	MARK	MATERIAL	LENGTH FT INCHES	REMARKS	WT	PROCUREMENT NOTES
			365	1	GIRDER			14820	
1	D		1	wa	PL 1/2 x 38	81 6/8	(M270-50HT2) (H2-3)		
1	F		1	ta	PL 3/8 x 16	81 6/8	(M270-50HT2) (H2-3)		
1	B		1	ba	PL 1/4 x 16	81 5/4	(M270-50HT2) (H2-3)		
2	B		4	x1a	PL 1/4 x 7 1/2	3 2			
2	C		4	x1b	PL 2 x 5	3 2			
2	F		1	x1f	PL 1/4 x 3 1/8	0 10 1/4	DRIP PLATE		

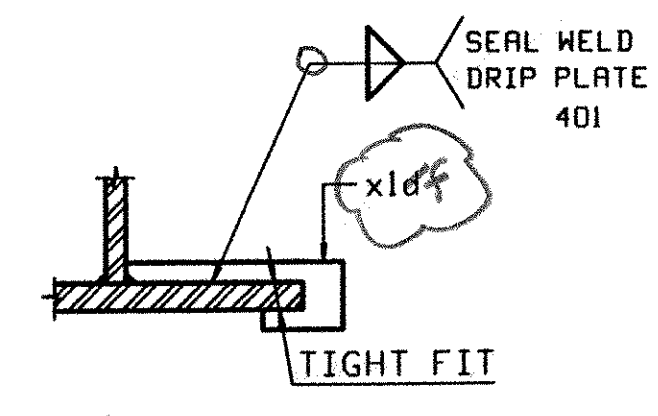


**ONE - GIRDER - 3G5**  
 1. FOR GIRDER STANDARD DETAILS SEE DRAWING XI.  
 2. FOR CAMBER AND FLANGE DIAGRAMS SEE DRAWING CI.  
 3. FOR GENERAL NOTES SEE DRAWING GNI.

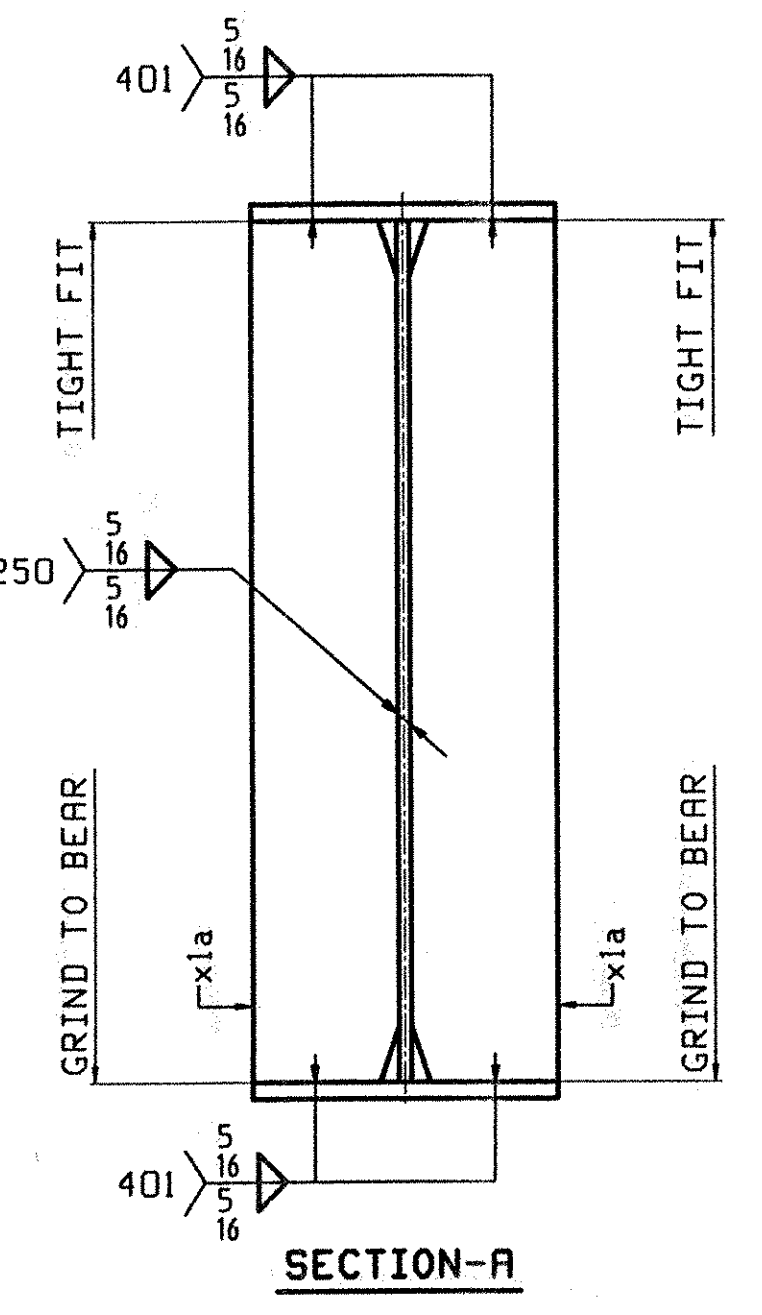
IACT  
 RECEIVED  
 CK'D BY *mgf* OK'D BY *E. Boy*  
 4-9-01 4-18-01  
 MAR 29 2001  
 RESUBMIT BY *mgf* APPROVED *ASNOTED* DATE 4-18-01



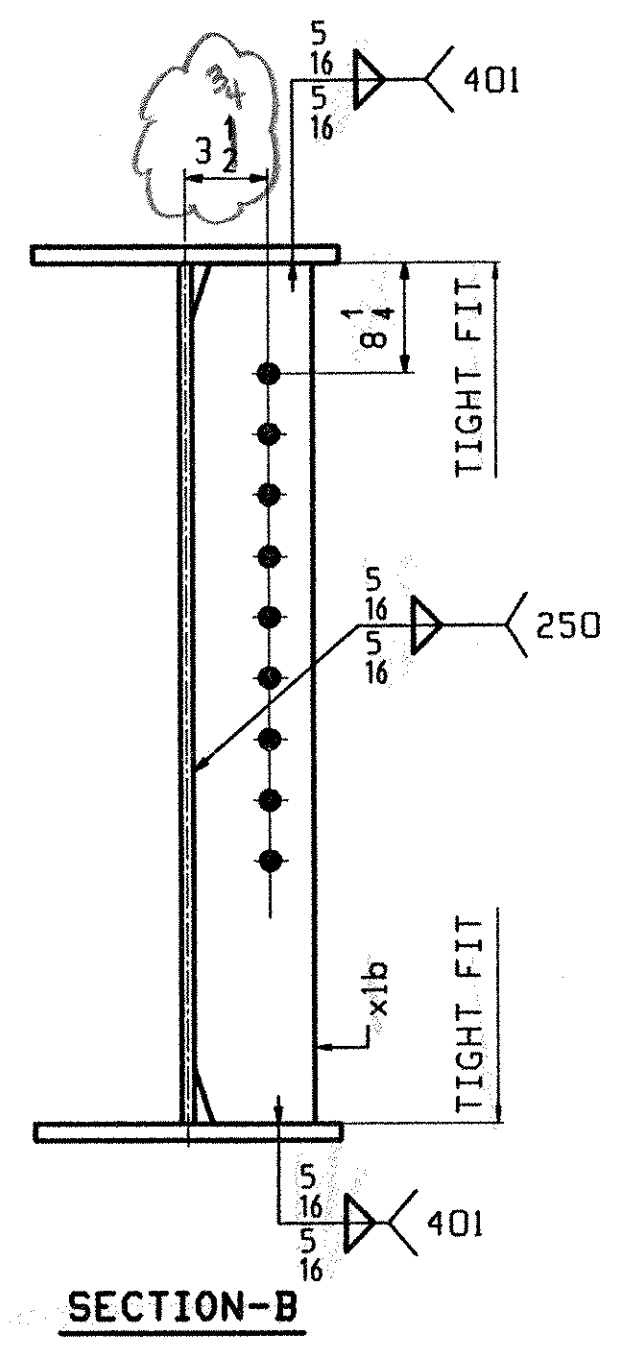
**SECTION-BL**



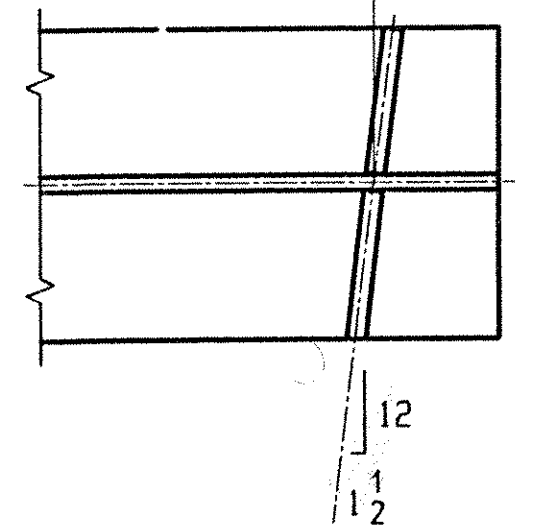
**SECTION-D**



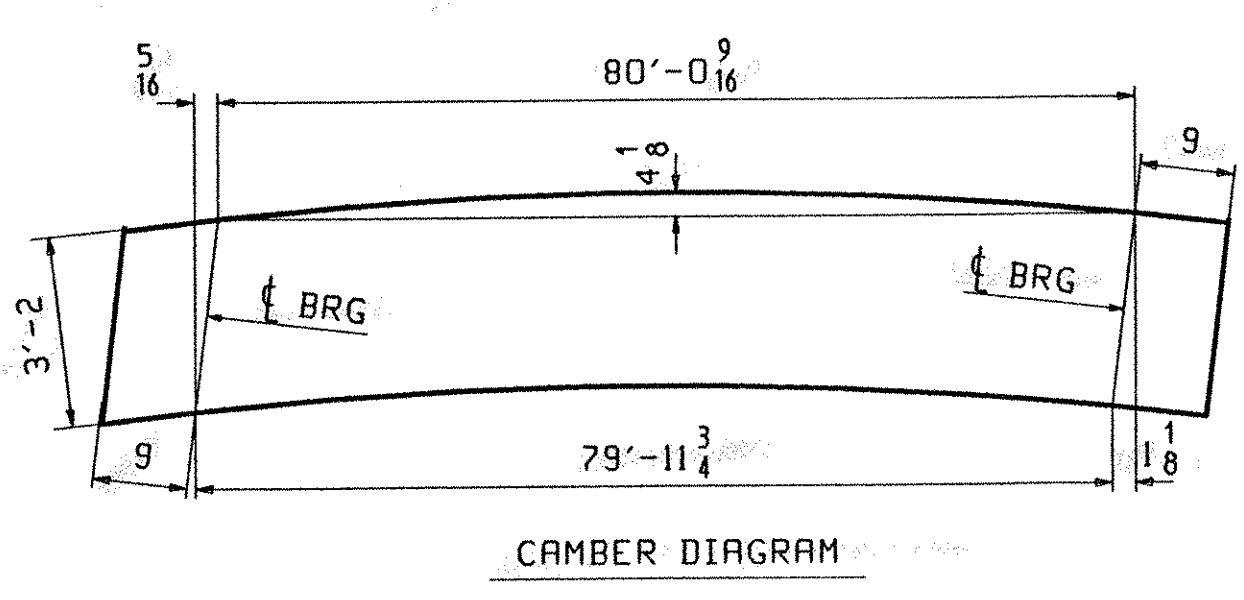
**SECTION-A**



**SECTION-B**



**SECTION-BR**



**CAMBER DIAGRAM**

OUT FOR APPROVAL	3-26-01											
OUT FOR APPROVAL												
ISSUED TO SHOP												
FIELD & OFFICE												
REV.	REMARKS	DATE	DWN	CHK	APP	Q.A.	NO.	DIA.	LGT	TYPE	WASHER	
	MATERIAL:											
	M270 GR. 50W											
	ELECTRODES:											
	HOLES:											
	SHOP BOLTS:											
	SURFACE PREP. & PAINT:											
	DESCRIPTION: GIRDER 3G5											
	JOB:	1-89 OVER VT 104 BRIDGE 87S & 87 N 1-89 IMPROVEMENTS FAIRFAX									FRANKLIN COUNTY	
	PROJ NO.	IM 089-3(27)									Q.A.	
	CUSTOMER:	VERMONT AGENCY OF TRANSPORTATION										
	<b>CASCO BAY STEEL STRUCTURES, INC.</b>											
	75 SPRING HILL ROAD	SACO, MAINE 04072									JOB NO.	DRG. NO.
	PHONE (207) 282-7360	FAX. (207) 282-1179									131	3
											449	REV. $\Delta$

04/27 The Mar 29 11:08:18 EST 2001 /user/jab/2385/1 Rev 0