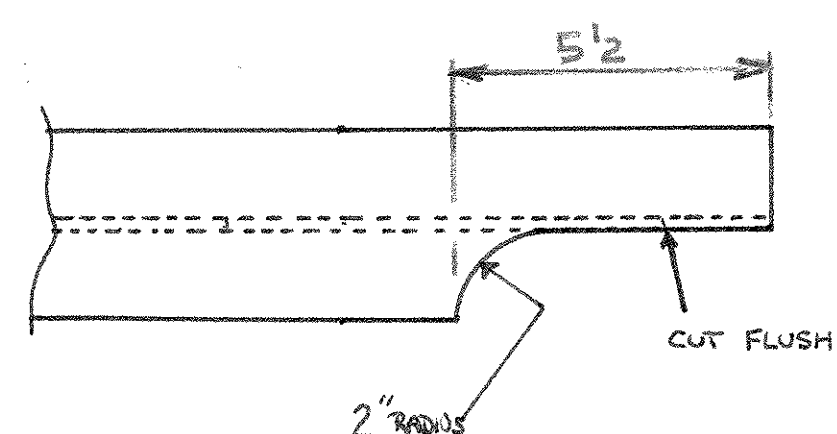


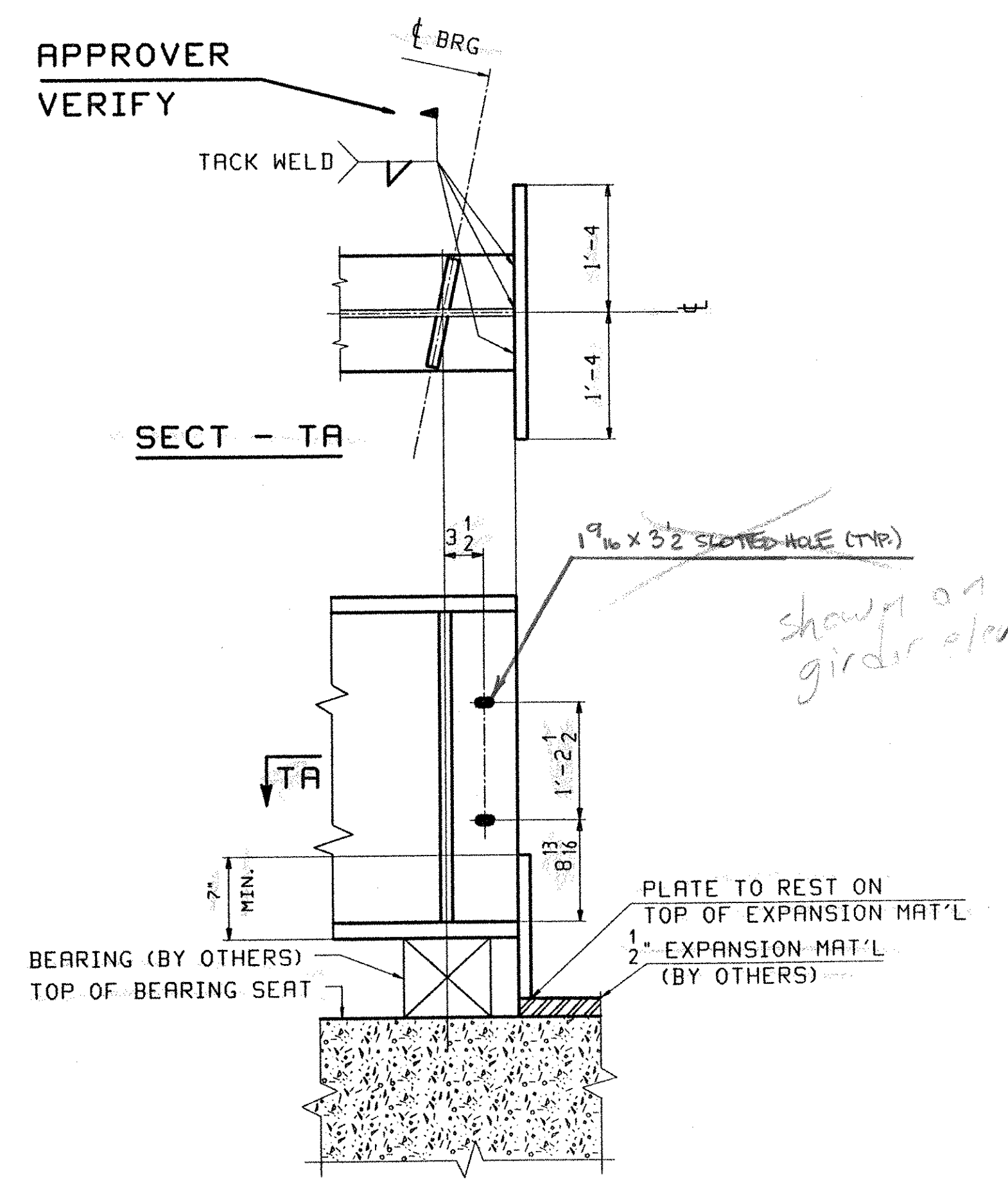
TYP. INTERMEDIATE DIAPHRAGM  
(LOOKING UPSTATION)

SHOP NOTE

REENTRANT CUTS AT FLANGE  
COPIES TO HAVE A 2 INCH MIN.  
RADIUS (TYP). CUT NS FLANGE  
FLUSH



INTERMEDIATE DIAPHRAGM  
TYP. BOTH ENDS



TYP. @ EACH END

OK - see letter 4-24-01  
1 1/4" OK - 3/4" (fill)

DETAILER NOTE

ALL EDGE DISTANCES ARE 1/4" U.N.

**\*\* NOTE \*\***  
THE PURPOSE OF THIS DRAWING IS TO COORDINATE GEOMETRIC CONTROL INFORMATION AND CONNECTION SPACING. THIS DWG IS SUBMITTED FOR INFORMATION ONLY & IS NOT INTENDED FOR SHOP FABRICATION. DETAIL DWGS WILL SHOW ALL WELDING AND DIMENSIONS REQ'D FOR FABRICATION.

SCALE: 1/8" = 1'-0"

VAOST  
RECEIVED  
CHK'D BY: mgf 3-30-01 OK'D BY: G.P. 4-18-01  
MAR 29 2001  
RESUBMIT APPROVED AS NOTED  
BY: mgf DATE: 4-18-01

OUT FOR APPROVAL	3-26-01																		
OUT FOR APPROVAL																			
ISSUED TO SHOP																			
FIELD & OFFICE																			
REV.	REMARKS	DATE	DWN	CHK	APP	Q.A.	NO.	DIA.	LGT	TYPE	WASHER								
MATERIAL:	ELECTRODES:	HOLES:									SHOP BOLTS:								
M270 GR. 50W		15 16 U.N.																	
SURFACE PREP. & PAINT:																			
DESCRIPTION: DIAPHRAGM LAYOUT												DRAWN BY		DATE					
JOB: I-89 OVER VT 104												JAK		03/15					
BRIDGE 875 & 87-N												CHKD BY							
I-89 IMPROVEMENTS												WMJ		3/15					
FAIRFAX FRANKLIN COUNTY												APPROV BY		H. J. GATTI					
TENSOR 2126												SUPERVISOR							
PROJ NO. IM 089-3(27)												Q.A.							
CUSTOMER: VERMONT AGENCY OF TRANSPORTATION																			
CASCO BAY STEEL STRUCTURES, INC.												JOB NO.		DRG. NO.					
75 SPRING HILL ROAD SACO, MAINE 04072												131		TD1					
PHONE (207) 282-7360 FAX. (207) 282-1179												442		REV. Δ					