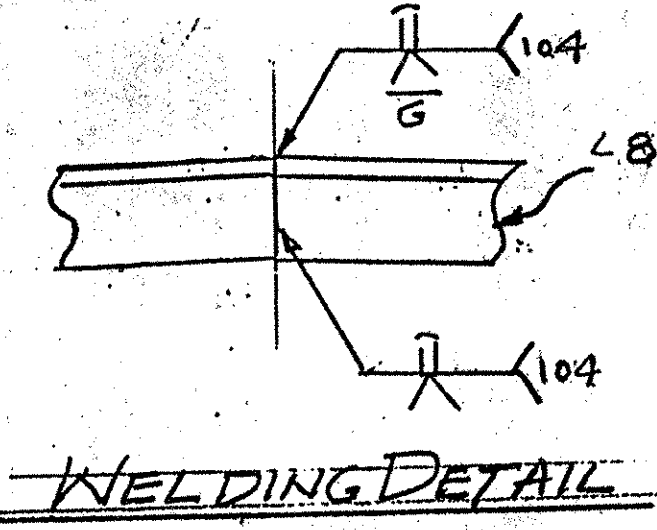
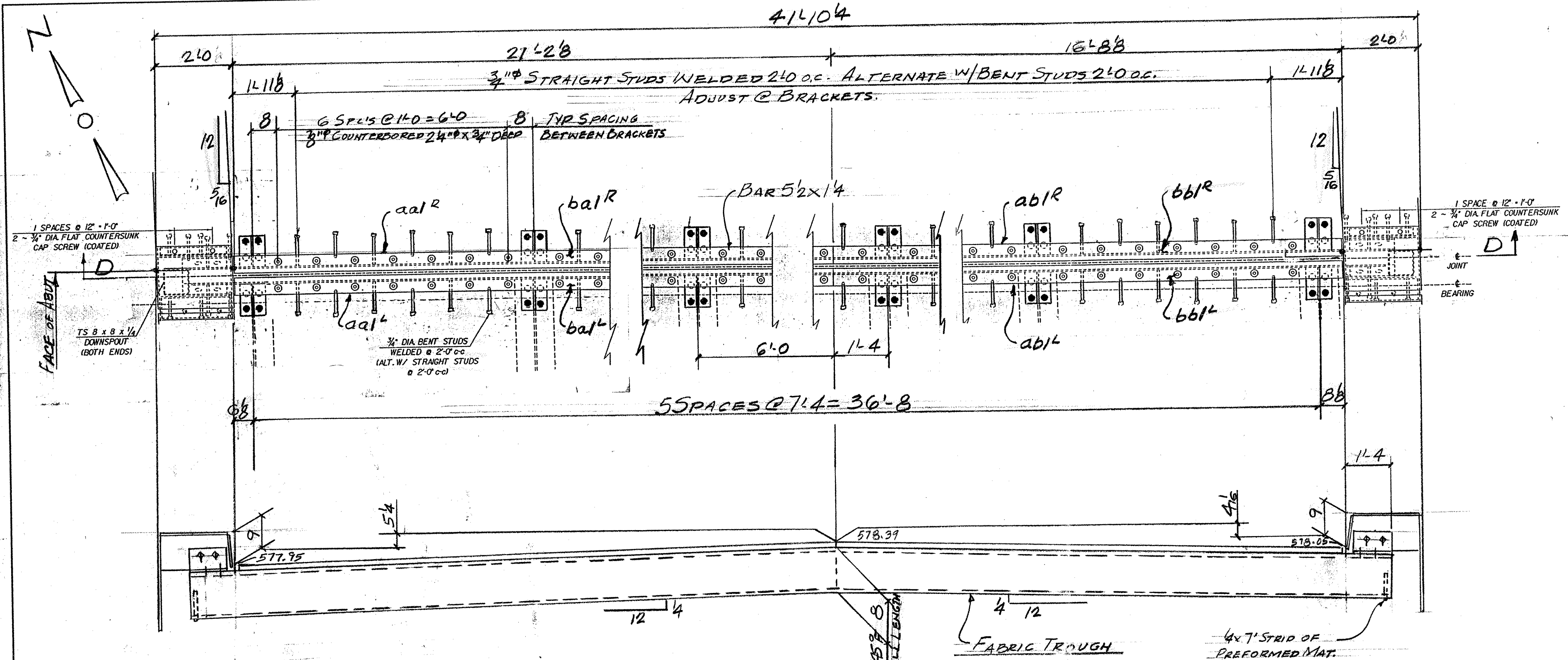


41104



D-D
EJ1-S-ONE REQ'D (C ABUT. NO. 6)

WORK THIS DWG. W/DWG. J1A

ABM INFO		SHOP BILL				JOB NO. 132	DRG. NO. J1		
PAGE	LINE	NO.	DESCRIPTION	FT	IN	ASSEM. MARK	SHIPPING MARK	REMARKS	WEIGHT
1			EXP. JOINT ASSY	42	0			EJTS	
2			L8x4x1/2	21	0			ca18	
2			DO	18	0			ab18	
2			BAR 5 1/2 x 1/4	21	1			ba18	
2			DO	16	7			bb18	
12			R 1/2 x 8	10				bc1	
12			R 1/2 x 6	10				bd1	
10			3/4\"/>						

CURBS

2	R 1/2 x 20	1	10	cp1
2	R 1/2 x 9 1/2	1	8	cp1a
2	R 1/2 x 20	1	8	cp1b
2	R 1/2 x 7	1	9	cp2
2	DO	1	9	cp2a
2	DO	1	8	cp2b
2	R 1/2 x 2	1	10	cp3
2	DO	1	9	cp3a
2	DO	1	8	cp3b
2	R 1/2 x 9	1	10	cp4
2	R 1/2 x 9	1	11	cp5
2	L 2 1/2 x 2 1/2	1	10	cal
2	L 6 x 4 x 1/2	1	2	cal2
16	3/4\"/>			

ALL MATERIALS AND CONSTRUCTION SHALL CONFORM TO STATE OF VERMONT AGENCY OF TRANSPORTATION STANDARD SPECIFICATIONS FOR CONSTRUCTION DATED 1990, AND ITS LATEST REVISIONS, AND THE AASHTO STANDARD SPECIFICATIONS FOR HIGHWAY BRIDGES, DATED 1996, AND ITS LATEST REVISIONS.

PAY ITEM 516.10

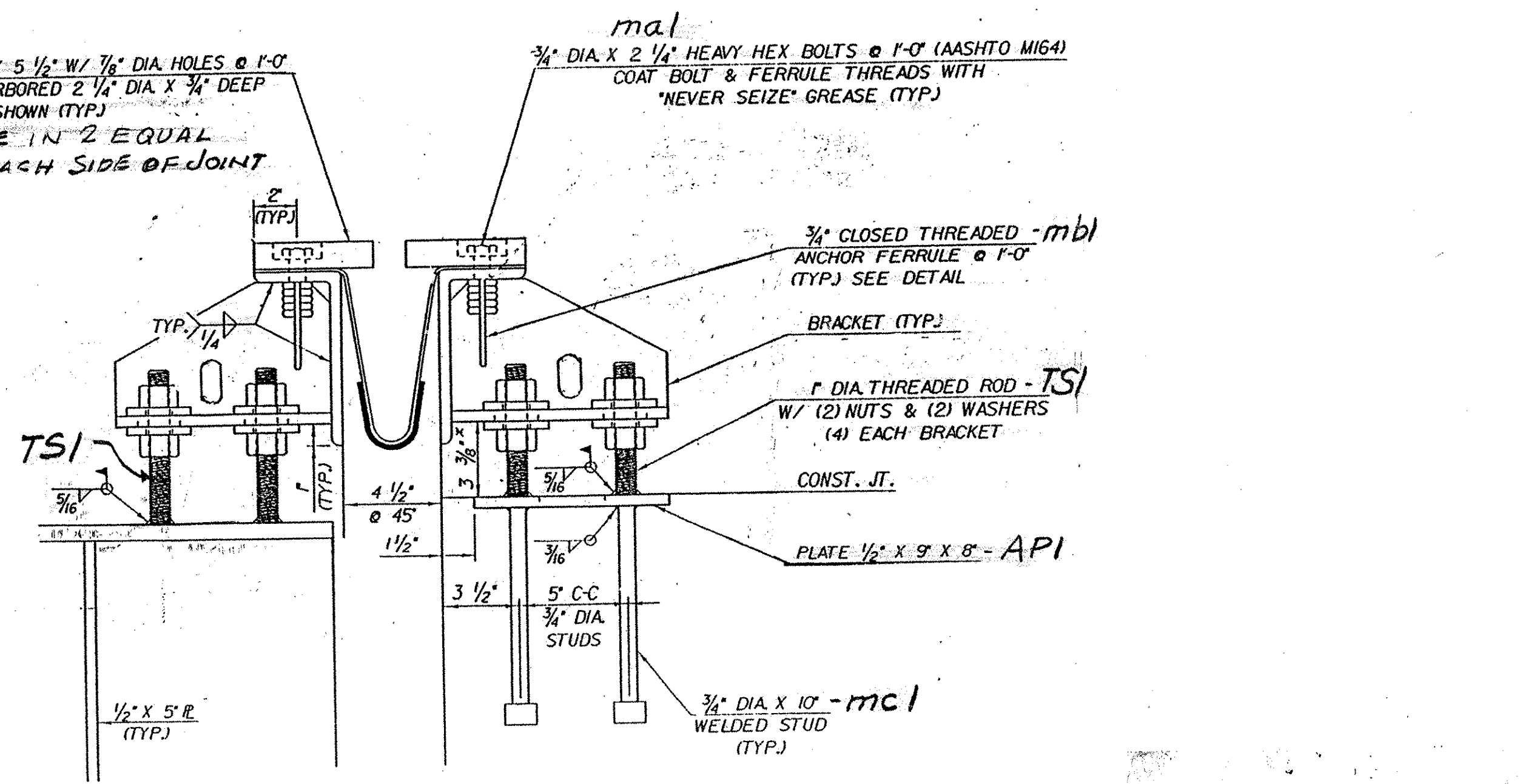
OUT FOR APPROVAL	3/23/01
ISSUED TO SHOP	
FIELD & OFFICE	

REV.	REMARKS	DATE	DWN	CHK	APP	Q.A.	NO.	DIA.	LGT	TYPE	WASHER
	PROJECT NO. JM-089-3(27) STATE BRIDGENO. 885										
	MATERIAL AASHTO OVER ELECTRODES PROC. HOLES AS NOTED SHOP BOLTS 7/16\"/>										

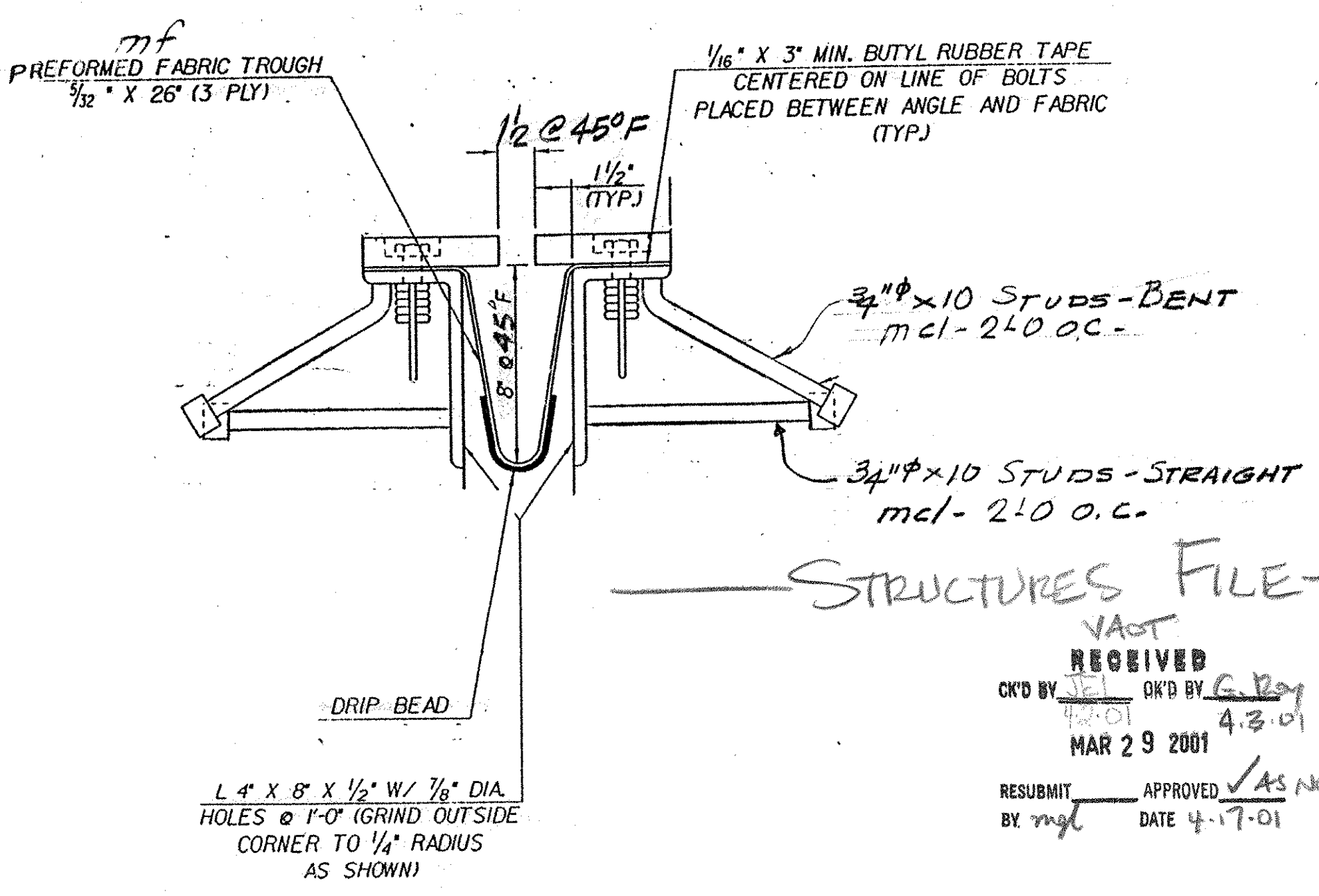
GALVANIZED AFTER FAB

DESCRIPTION:	EXP. JOINT-ABUT. NO. 6	DRAWN BY:	DATE
JOB:	BRIDGE 885	JPF	3-01
		CHKD BY:	
	I-89 OVER ST. ALBANS SO. STATE HIGHWAY	APPROV BY:	
	FAIRFAX FAIRFIELD ST. ALBANS, VT.	Q.A.	

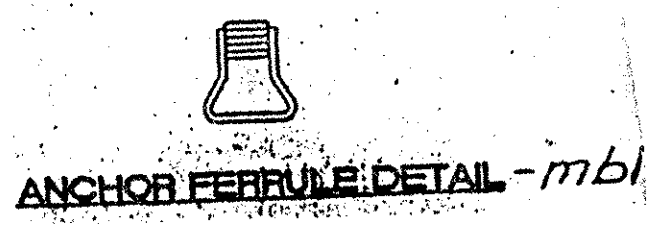
CUSTOMER: J.A. McDONALD
CASCO BAY STEEL STRUCTURES, INC.
 75 SPRING HILL ROAD SACO, MAINE 04072
 PHONE (207) 282-7360 FAX. (207) 282-1179



TYPICAL SECTION AT BEAMS



TYPICAL SECTION BETWEEN BEAMS



RECEIVED
 MAR 29 2001
 APPROVED AS NOTED
 DATE 4-17-01