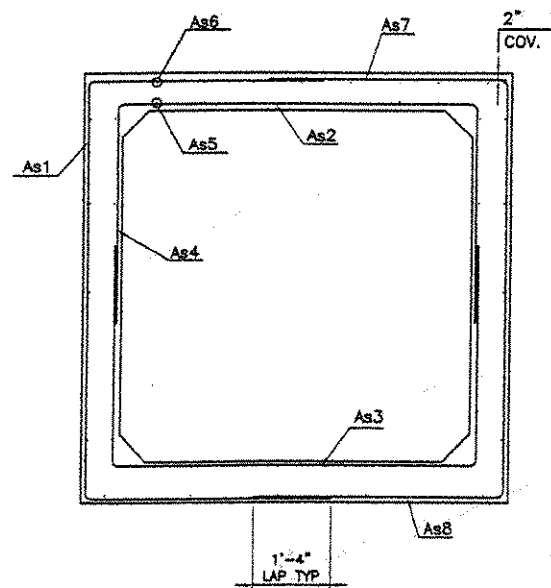


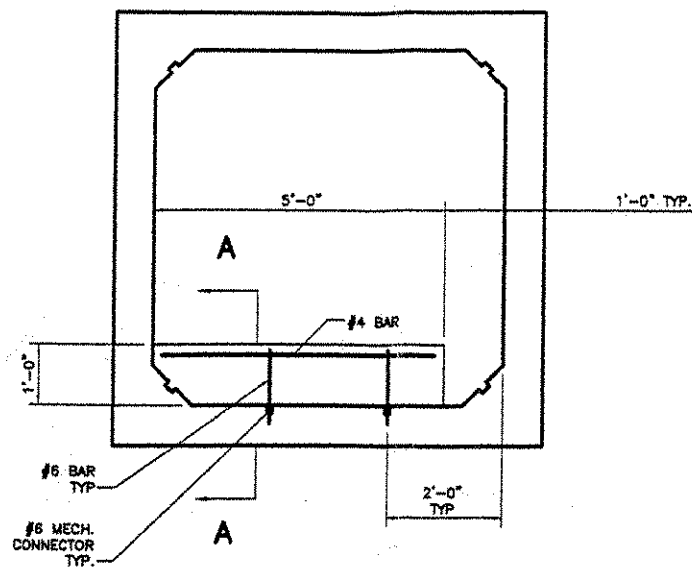
MK	Size	Spcc	Len	Type	A	B	C
As1	4	12"	127"	"U"	1'-9"	7'-1"	1'-9"
As2	5	6"	86"	Str.	---	7'-2"	---
As3	5	6"	86"	Str.	---	7'-2"	---
As4	4	12"	84"	Str.	---	7'-0"	---
As5	4	12"	85"	Str.	---	7'-1"	---
As6	4	12"	85"	Str.	---	7'-1"	---
As7	4	12"	86"	Str.	---	7'-2"	---
As8	4	12"	86"	Str.	---	7'-2"	---

REBAR REINFORCEMENT TABLE

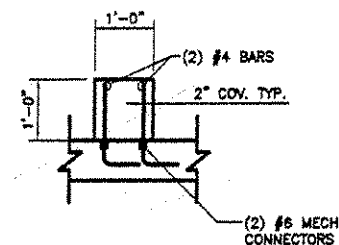


MK	As REQ. in'
As1	0.192
As2	0.432
As3	0.454
As4	0.192
As5	0.192
As6	0.192
As7	0.192
As8	0.192

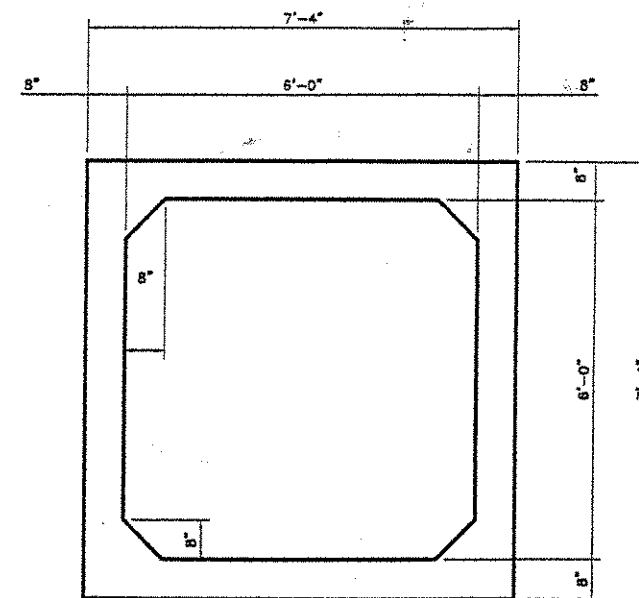
MESH REINFORCEMENT TABLE



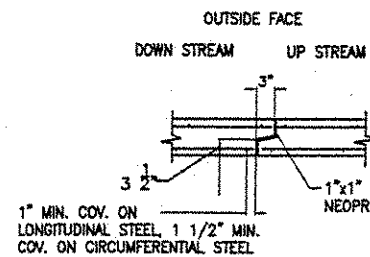
BAFFLE DETAIL



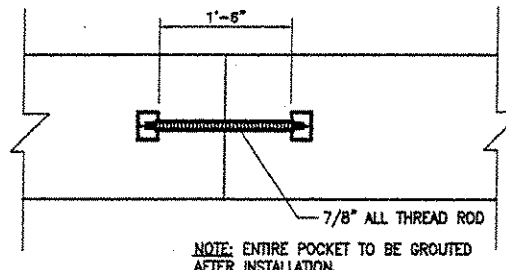
SECTION A-A



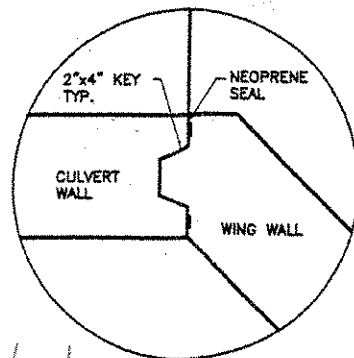
SECTION A-2



JOINT DETAIL



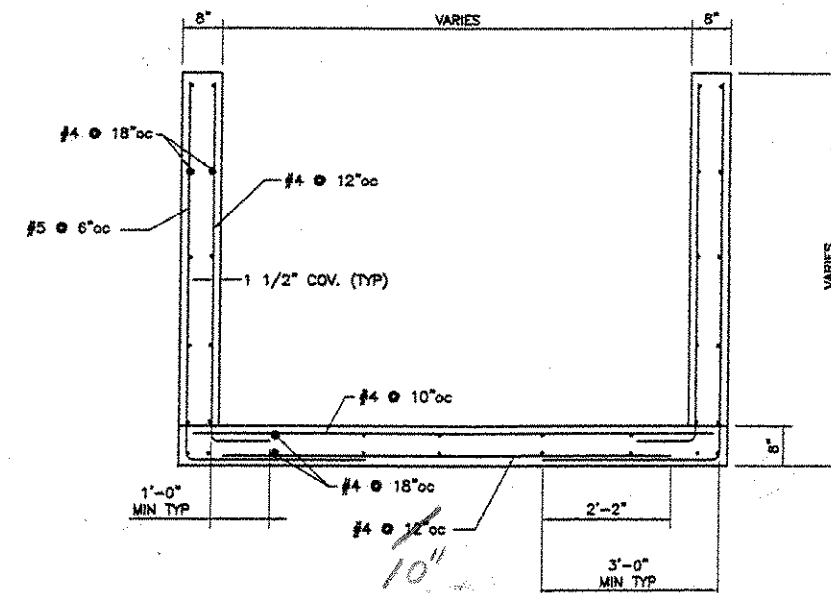
RECESSED DRAW CONNECTOR (4 PER SECTION)



**NOT RECEIVED**  
 CK'D BY \_\_\_\_\_ OK'D BY \_\_\_\_\_  
 MAR 01 2002

RESUBMIT \_\_\_\_\_ APPROVED *As Noted*  
 BY *RRW* DATE *4-9-02*

DETAIL B-2



TYPICAL END SECTION

DELTA ENGINEERS, P.C.  
 ENGINEERS • ARCHITECTS  
 84 COURT STREET, BANGOR, VT 05601-2504  
 TEL: (802) 231-6600 FAX: (802) 231-6600

TOWN OF ST. ALBANS, VT.  
 6'-0" x 6'-0" x 78'-0"  
 BR 87-3 NORTHBOUND

CONTRACTOR: **430**  
 ENGINEER:  
 DWN BY: GAS CKD BY: RET

SHEET 2 OF 3  
 CAMP PRECAST CONCRETE PRODUCTS