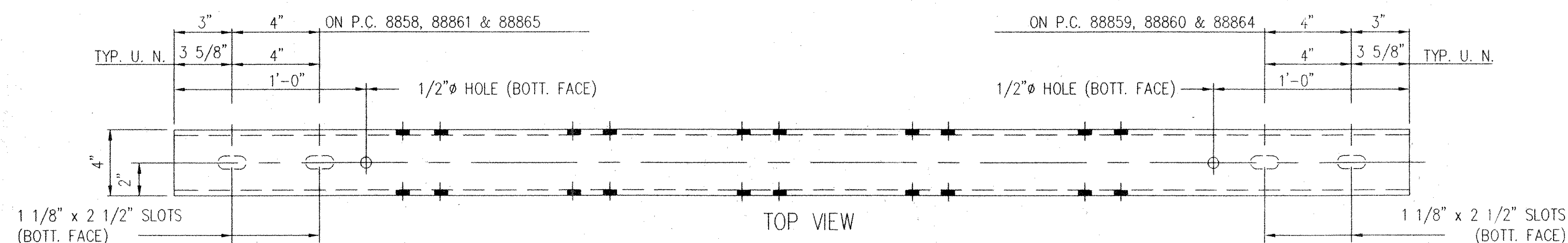


TS 8" x 4" x 5/16" (A500 GR B MOD.)

7/8" Ø HOLES
2-IN LINE

PC-88831	6'-0 1/2"	14'-0 1/2"	22'-0 1/2"	30'-0 1/2"	36'-0 1/2"	37'-10 3/8"
PC-88832	4'-2 7/16"	10'-2 7/16"	18'-2 7/16"	26'-2 7/16"	34'-2 7/16"	35'-11 7/16"
PC-88833	6'-1 3/8"	14'-1 3/8"	22'-1 3/8"	29'-0 3/16"		30'-9 3/16"
PC-88834	2'-0 1/2"	6'-0 1/2"				7'-10 3/8"
PC-88836	2'-1 3/8"	9'-1 3/8"	14'-1 3/8"	23'-1 3/8"	31'-1 3/8"	37'-11 1/16"
PC-88837	6'-1 3/8"	14'-1 3/8"	20'-1 3/8"			21'-10 3/8"
PC-88838	4'-0 13/16"	10'-0 13/16"				11'-10 11/16"
PC-88839	2'-1 3/8"	7'-1 3/8"	12'-9 3/4"			13'-7 5/8"
PC-88840	6'-1 3/8"	14'-1 3/8"	22'-1 3/8"	30'-1 3/8"	38'-1 3/8"	39'-11 1/4"



TS 4" x 4" x 1/4" (A500 GR B MOD.)

7/8" Ø HOLES
2-IN LINE

PC-88858	6'-0 1/2"	14'-0 1/2"	22'-0 1/2"	30'-0 1/2"	36'-0 1/2"	37'-10 3/8"
PC-88859	4'-2 7/16"	10'-2 7/16"	18'-2 7/16"	26'-2 7/16"	34'-2 7/16"	35'-11 7/16"
PC-88860	6'-1 3/8"	14'-1 3/8"	22'-1 3/8"	29'-0 3/16"		30'-9 3/16"
PC-88861	2'-0 1/2"	6'-0 1/2"				7'-10 3/8"
PC-88863	2'-1 3/8"	9'-1 3/8"	14'-1 3/8"	23'-1 3/8"	31'-1 3/8"	37'-11 1/16"
PC-88864	6'-1 3/8"	14'-1 3/8"	20'-1 3/8"			21'-10 3/8"
PC-88865	4'-0 13/16"	10'-0 13/16"				11'-10 11/16"
PC-88866	2'-1 3/8"	7'-1 3/8"	12'-9 3/4"			13'-7 5/8"
PC-88867	6'-1 3/8"	14'-1 3/8"	22'-1 3/8"	30'-1 3/8"	38'-1 3/8"	39'-11 1/4"

BILL OF MATERIAL

PRODUCT CODE	QTY.	DESCRIPTION	WT (lbs)	REMARKS
88831G	2	TS 8" x 4" x 5/16" x 37'-10 3/8"	937	
88832G	2	TS 8" x 4" x 5/16" x 35'-11 7/16"	889	
88833G	1	TS 8" x 4" x 5/16" x 30'-9 3/16"	761	
88834G	1	TS 8" x 4" x 5/16" x 7'-10 3/8"	195	
88836G	1	TS 8" x 4" x 5/16" x 37'-11 1/16"	938	
88837G	1	TS 8" x 4" x 5/16" x 21'-10 3/8"	541	
88838G	1	TS 8" x 4" x 5/16" x 11'-10 11/16"	294	
88839G	1	TS 8" x 4" x 5/16" x 13'-7 5/8"	337	
88840G	4	TS 8" x 4" x 5/16" x 39'-11 1/4"	988	
88858G	2	TS 4" x 4" x 1/4" x 37'-10 3/8"	490	
88859G	2	TS 4" x 4" x 1/4" x 35'-11 7/16"	465	
88860G	1	TS 4" x 4" x 1/4" x 30'-9 3/16"	398	
88861G	1	TS 4" x 4" x 1/4" x 7'-10 3/8"	102	
88863G	1	TS 4" x 4" x 1/4" x 37'-11 1/16"	491	
88864G	1	TS 4" x 4" x 1/4" x 21'-10 3/8"	283	
88865G	1	TS 4" x 4" x 1/4" x 11'-10 11/16"	154	
88866G	1	TS 4" x 4" x 1/4" x 13'-7 5/8"	176	
88867G	4	TS 4" x 4" x 1/4" x 39'-11 1/4"	517	

NOTES:

APPROVAL DRAWING

- FOR GENERAL NOTES PLEASE REFER TO SHEET D1 OF 4
- FOR ERECTION LAYOUT SEE SHEET E1, E2 & E3 OF 3 (22) 102392

REV	CHK'D	BY	DATE	REMARKS

ITEM NUMBER 525.33 T2 STEEL BRIDGE RAIL (PL2)

STATE OF VERMONT AGENCY OF TRANSPORTATION INTERSTATE ROUTE 89		DRAWN	SAR
TOWNS OF FAIRFAX, FAIRLAND & ST. ALBANS COUNTY OF FRANKLIN		CHECKED	S.H.
STATE PROJECT NO. IM 089-3(27)		SCALE	N.T.S.
CUSTOMER	NORTHLAND SPECIALTIES	P.O. No.	VERBAL
DATE	5/2/01	ENG. FILE #	22-102392-03
TRINITY INDUSTRIES, INC.		SHT. No.	D3 OF 4
HIGHWAY SAFETY PRODUCTS		TRINITY SALES ORDER NO.	(22) 102392
2525 STEMMONS FREEWAY, DALLAS, TX 75207		REV	0

V.A.O.T.
RECEIVED
CHK'D BY: JEL OK'D BY: C. Roy
5-30-01 6:40
MAY 24 2001
RESUBMIT APPROVED AC 12/10
BY: C. Roy DATE: 6-4-01

This drawing and the information shown thereon is the sole property of TRINITY INDUSTRIES, INC. Neither the drawing nor such information is to be used for any purpose other than that for which it was specifically furnished by TRINITY INDUSTRIES, INC. without written permission.

GIRARD ENGINEERING DEPT.
ISSUED
MAY 17 2001
TRINITY INDUSTRIES, INC.
1170 N. STATE STREET
GIRARD, OHIO 44420

P:\Share\Engineering\102392\102392-03.dwg Thu May 17 11:35:52 2001 PLOTTED BY: STATION 1