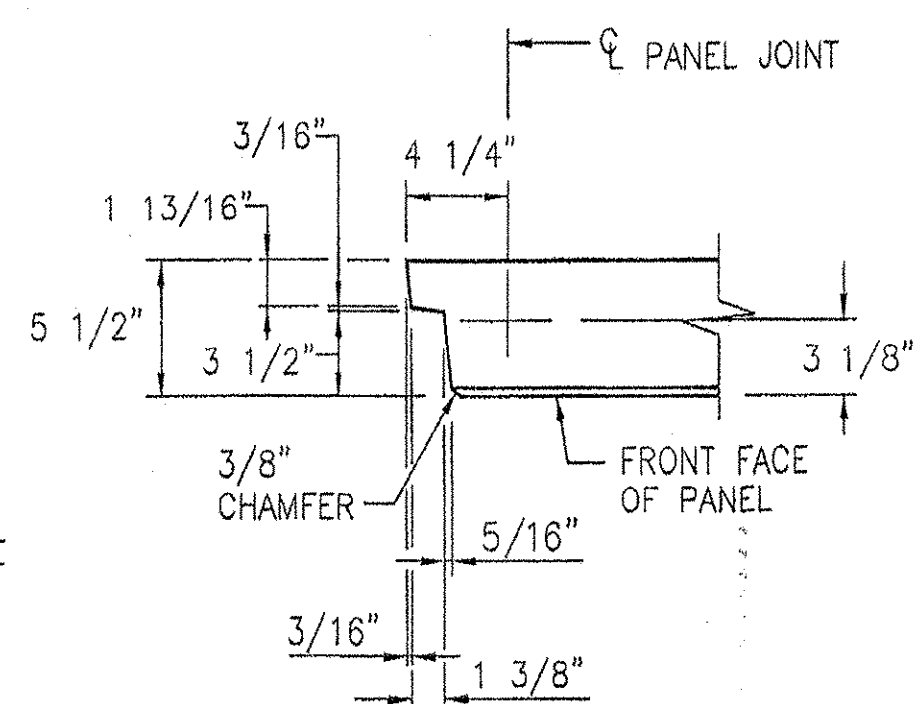
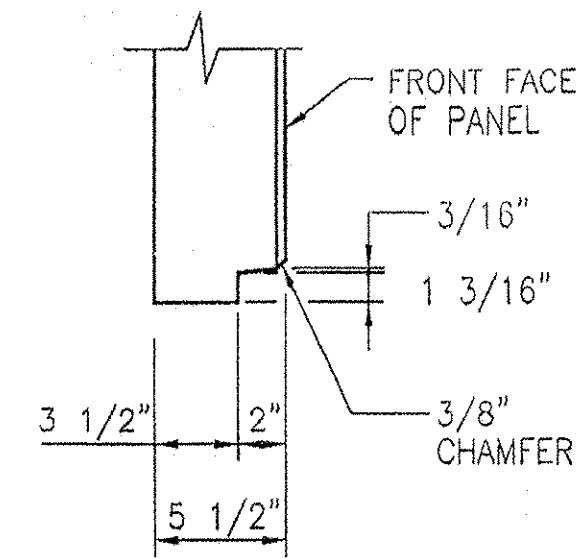


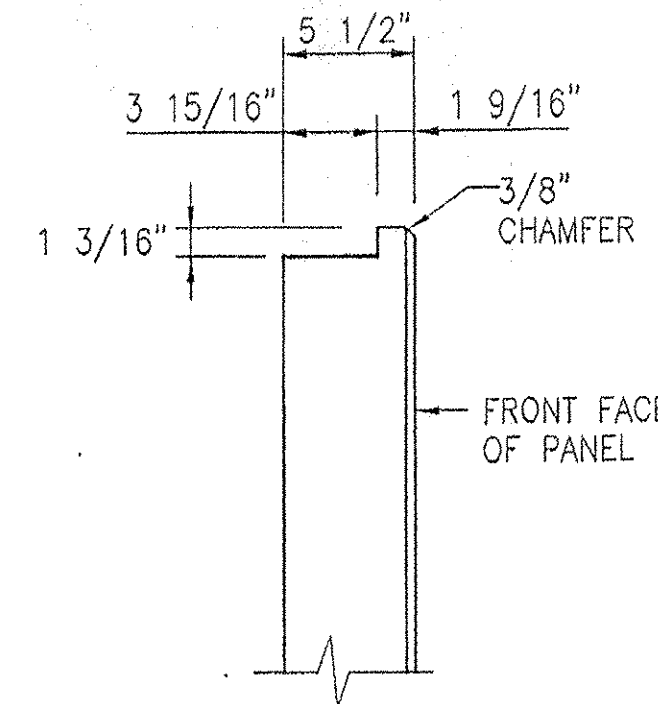
DETAIL "A"
SCALE: 1 1/2"=1'-0"



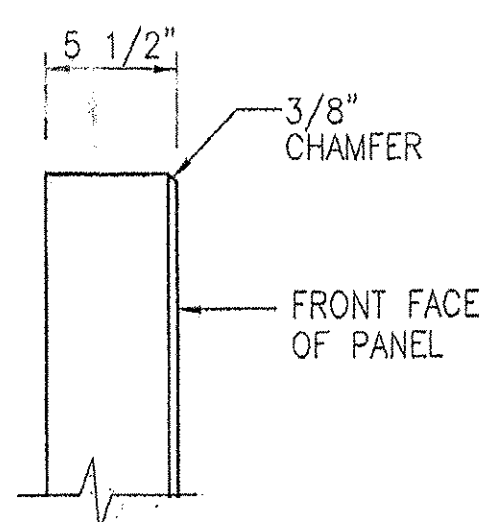
DETAIL "B"
SCALE: 1 1/2"=1'-0"



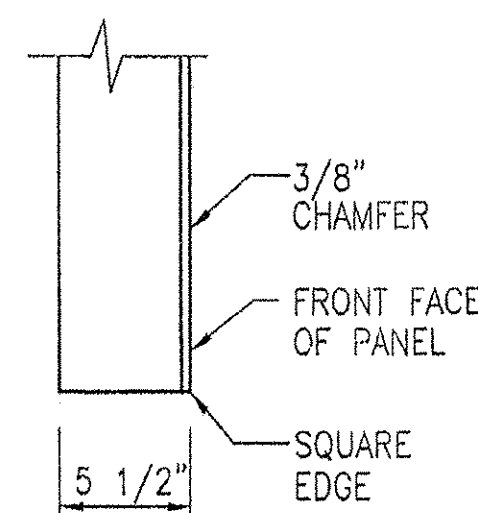
DETAIL "C"
SCALE: 1 1/2"=1'-0"



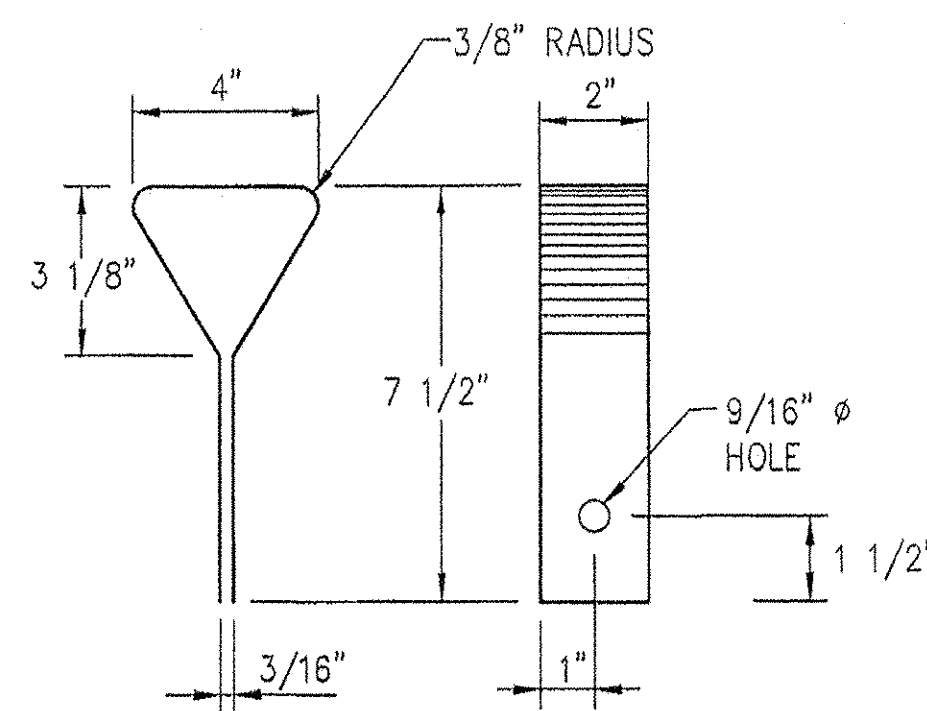
DETAIL "D"
SCALE: 1 1/2"=1'-0"



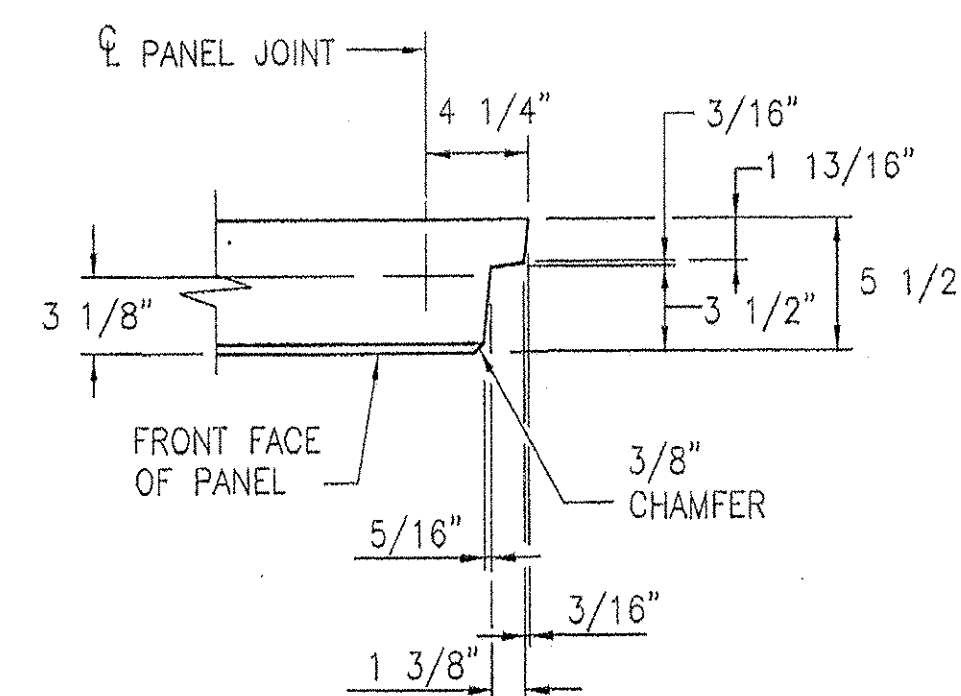
DETAIL "G"
SCALE: 1 1/2"=1'-0"



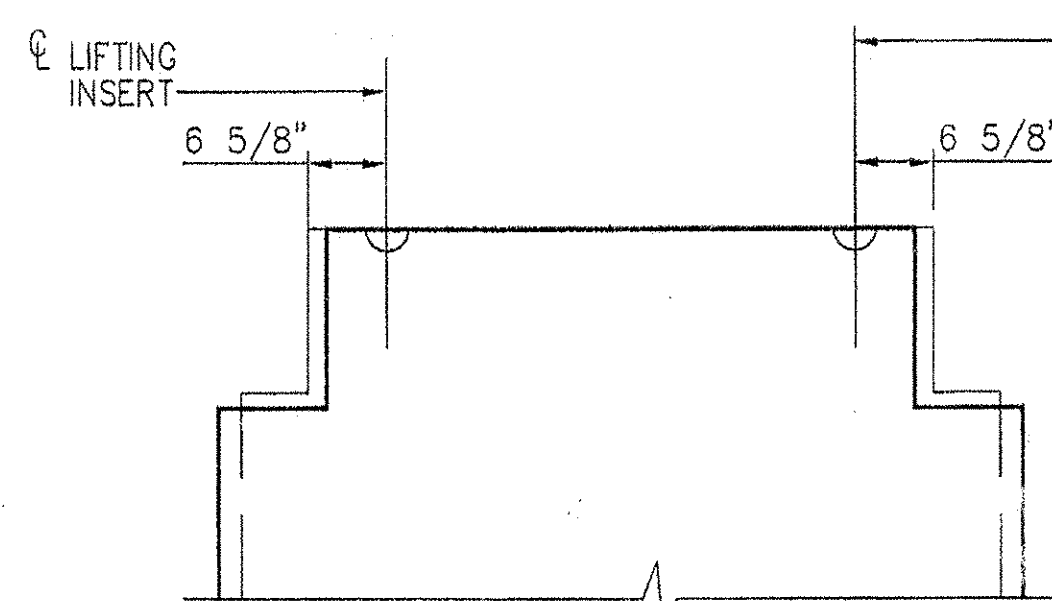
DETAIL "H"
SCALE: 1 1/2"=1'-0"



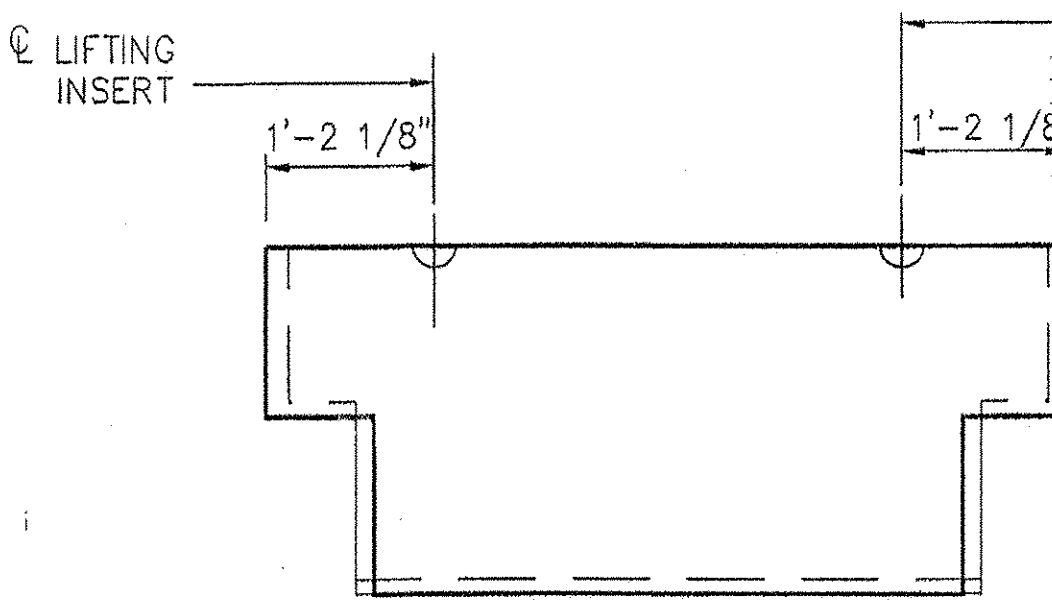
DETAIL "J"
(GENERAL NOTE No. 2)
SCALE: NONE



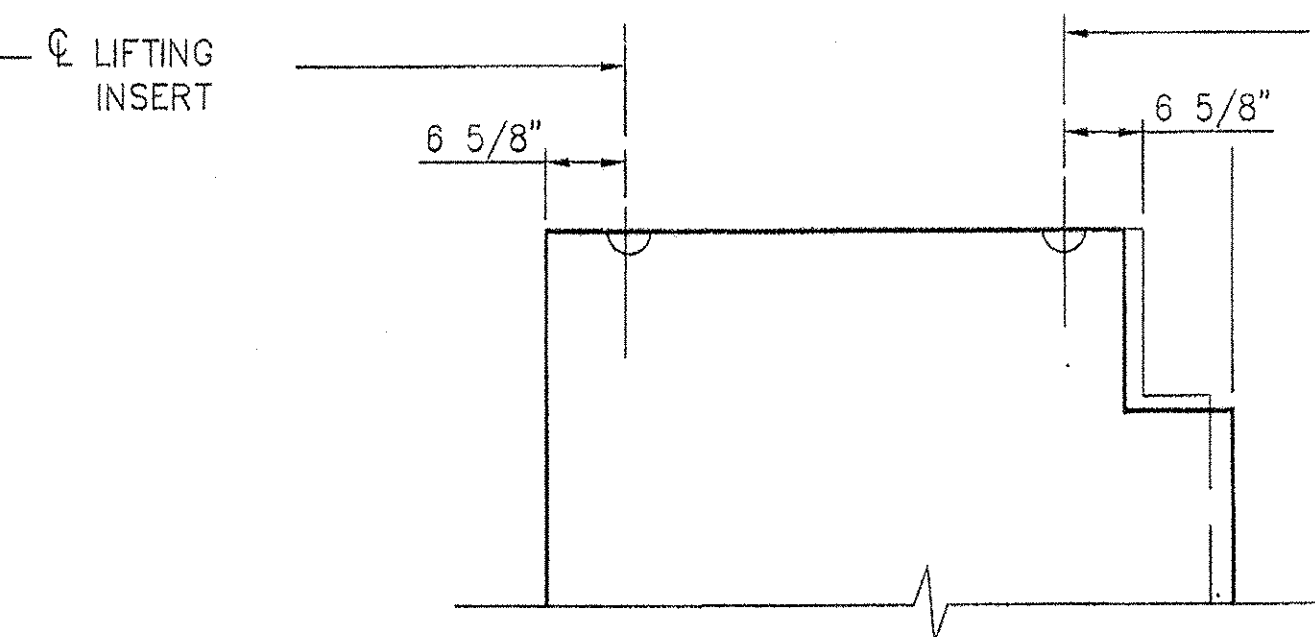
DETAIL "K"
SCALE: 1 1/2"=1'-0"



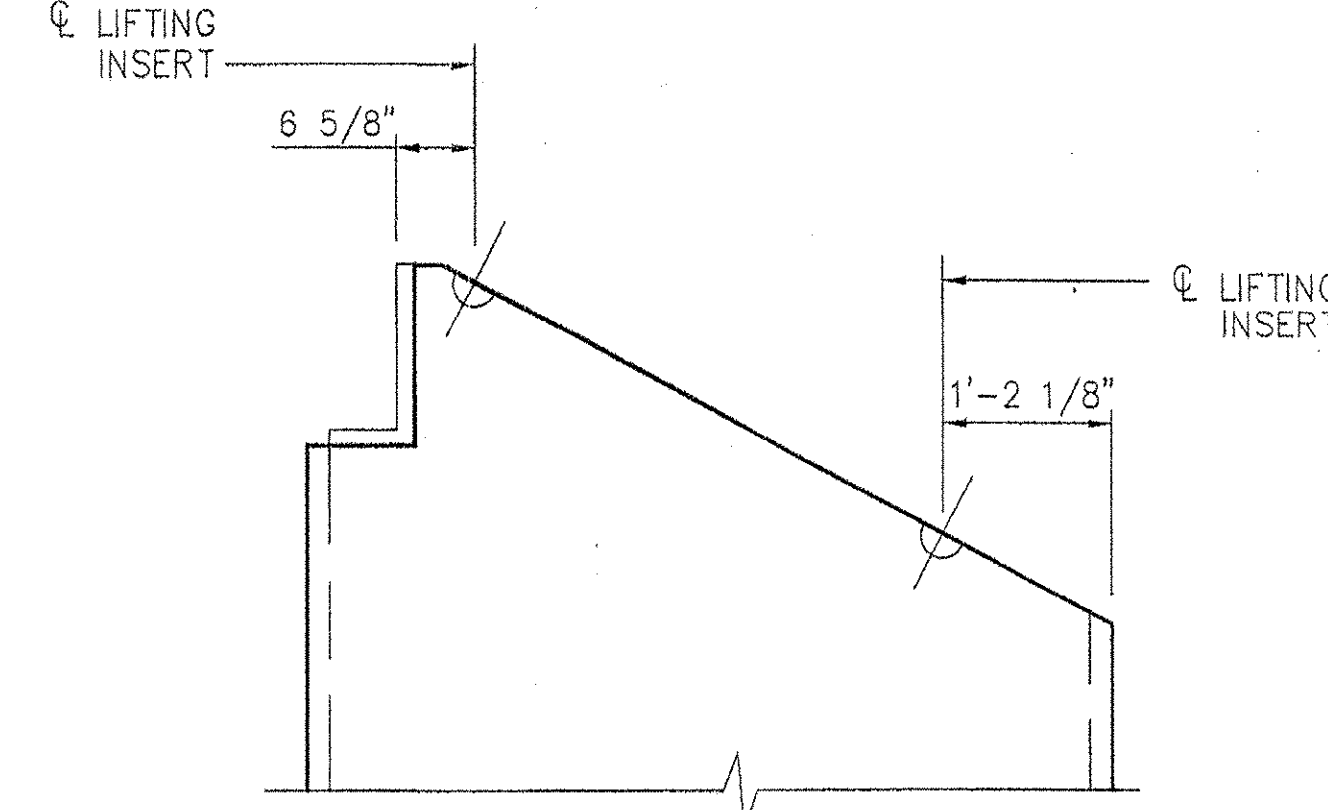
DETAIL "N"
SCALE: 3/4"=1'-0"



DETAIL "O"
SCALE: 3/4"=1'-0"

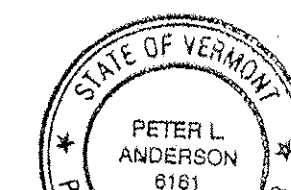


DETAIL "P"
SCALE: 3/4"=1'-0"



DETAIL "Q"
SCALE: 3/4"=1'-0"

CERTIFIED WITH RESPECT TO THE INTERNAL STABILITY OF REINFORCED EARTH STRUCTURES ONLY



2-15-01

This drawing contains information proprietary to The Reinforced Earth Company, and is being furnished for the use of VERMONT AGENCY OF TRANSPORTATION only in connection with this project, and the information contained herein is not to be transmitted to any other organization unless specifically authorized in writing by The Reinforced Earth Company. The Reinforced Earth Company is exclusive licensee in the United States under patents issued to Henri Vidal, and the furnishing of this drawing does not constitute an expressed or implied license under the Vidal patents.

The design contained on these drawings is based on information provided by the owner. On the basis of this information, The Reinforced Earth Company has designed, and is responsible for the internal stability of the structure only. External stability, including foundation (bearing capacity and settlement) and slope (global) stability, is the responsibility of the owner.



The Reinforced Earth Company

8614 Westwood Center Drive Suite 1100, Vienna, Virginia 22182 (703) 821-1175

"REINFORCED EARTH" is the registered trademark of The Reinforced Earth Company.

DESIGNED BY: KPB				PROJECT NAME	FAIRFAX-FAIRFIELD-ST. ALBANS 1-89 OVER VT 104	DATE	2-15-01
PROJECT ENGR: KPB				LOCATION	FAIRFAX-FAIRFIELD-ST. ALBANS VERMONT	CONTRACT NO.	9360
CHECKED BY: PLA				OWNER	VERMONT AOT	DRAWING NO.	2 OF 8
ENG. MANAGER	REV.	DATE	DESCRIPTION	DRAWING COVERS	PANEL CASTING DETAILS	SCALE	AS SHOWN

C:\9360\SHOP\9360S02.DWG