

The Reinforced Earth Company

8614 Westwood Center Drive Suite 1100, Vienna, Virginia 22182 (703) 821-1175

PRECAST PANEL SHOP DRAWINGS

PANEL GENERAL NOTES

- REINFORCING BARS SHALL BE STEEL ASTM A615 GRADE 60, EPOXY COATED IN ACCORDANCE WITH SECTIONS 507 AND 713 OF VT AOT STANDARD SPECIFICATIONS.
- TIE STRIPS SHALL BE STEEL ASTM A570 GRADE 50 (GALVANIZED PER ASTM A-123).
- LIFTING INSERTS SHALL BE BURKE SPREAD ANCHOR 79050 (OR EQUAL) (GALVANIZED PER ASTM A-123).
- ALL FRONT EDGES OF PANELS, EXCEPT THE BOTTOM EDGE OF THE BOTTOM PANEL COURSE, SHALL HAVE A 3/8" CHAMFER.
- TIE STRIPS SHALL BE PLACED WITHIN 1" OF THE DIMENSIONS SHOWN ON THE FABRICATION DRAWINGS.
- PANEL DESIGN THICKNESS IS 5 1/2". THE 28 DAY COMPRESSIVE STRENGTH OF CONCRETE SHALL BE 4000 psi MINIMUM.
- DIMENSIONS SPECIFIED ON INDIVIDUAL FABRICATION DRAWINGS SUPERCEDE THOSE CALLED OUT ON THE STANDARD SECTIONS AND DETAILS.
- VERTICAL REINFORCING BARS SHALL BE PLACED 1 1/2" MIN. - 2" (TYP.) CLEAR FROM THE BACK FACE OF THE 5 1/2" PANEL.
- ALL REINFORCING BARS SHALL BE STOPPED 2" CLEAR FROM ANY EDGE OF PANEL UNLESS NOTED ON INDIVIDUAL FABRICATION DRAWING OR AS INDICATED IN NOTE #9.
- IN ALL SLOPED PANELS THE TWO (2) VERTICAL REINFORCING BARS ADJACENT TO A COMMON TIE STRIP SHALL BE OF THE SAME LENGTH.
- ALL INDIVIDUAL FABRICATION DRAWINGS ARE SHOWN BACK FACE.
- PRECAST FACING PANELS FOR PERMANENT WALLS SHALL HAVE AN ASHLAR STONE FORM LINER FINISH. PRECAST FACING PANELS FOR THE TEMPORARY WALL SHALL HAVE A PLAIN STEEL FORM FINISH. PANEL TYPES "B", "CE" (CORNER ELEMENTS) AND "J" (SLIP JOINT COVERS) SHALL HAVE A PLAIN STEEL FORM FINISH. ALL PRECAST PANELS FOR PERMANENT WALLS SHALL BE COLORED WITH BAYFERROX 330 3.5% (HEAT STABLE) PIGMENT DYE.

PANEL GENERAL NOTES (CONT.)

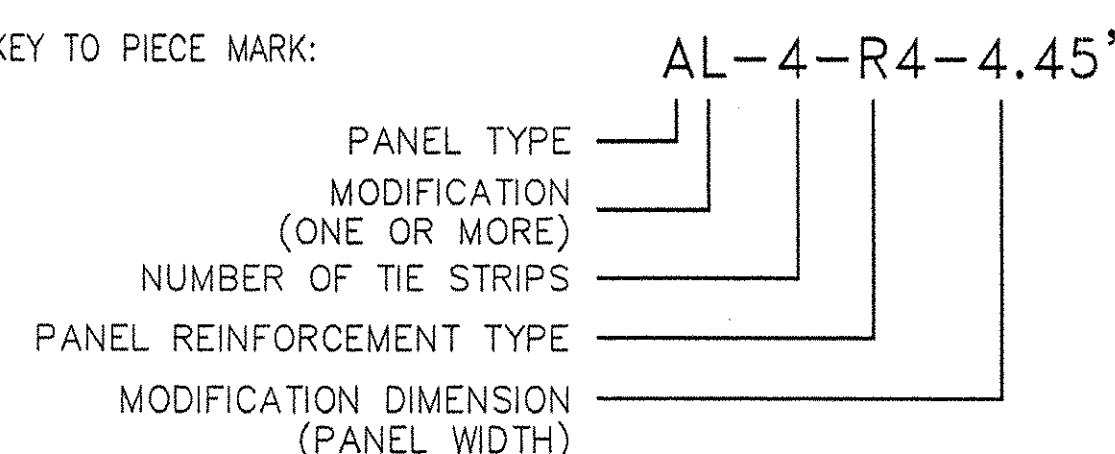
- REINFORCING BARS IN A STANDARD "A" PANEL SHALL BE AS FOLLOWS:

PANEL REINFORCEMENT

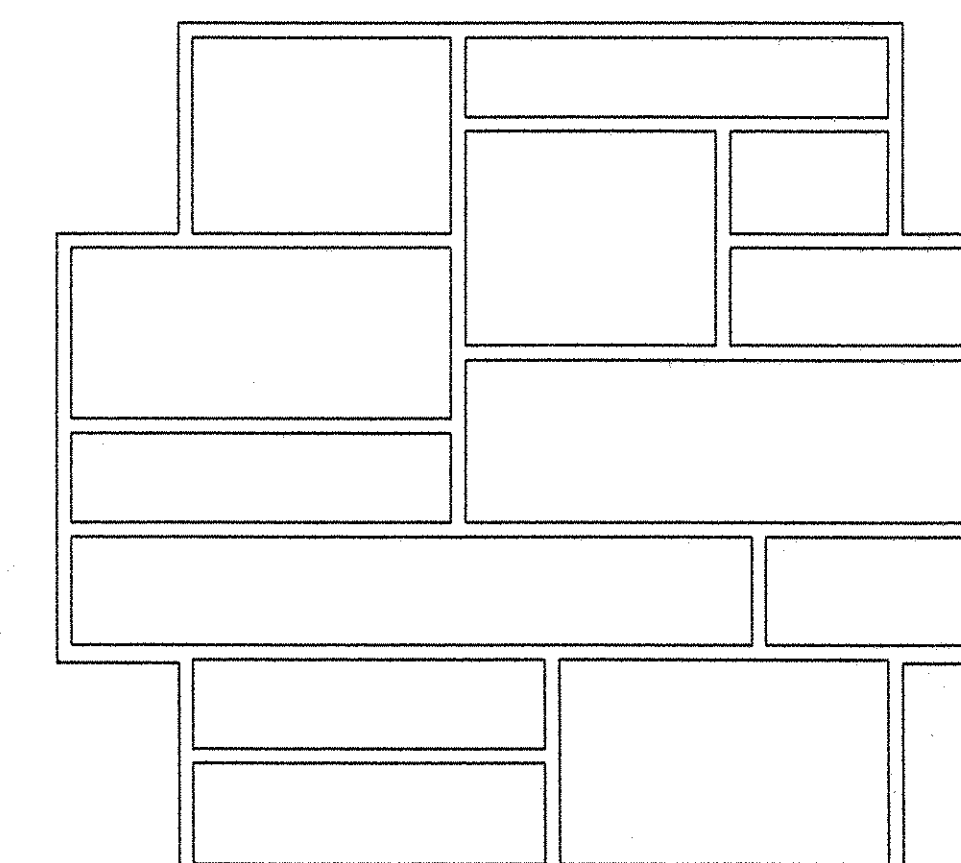
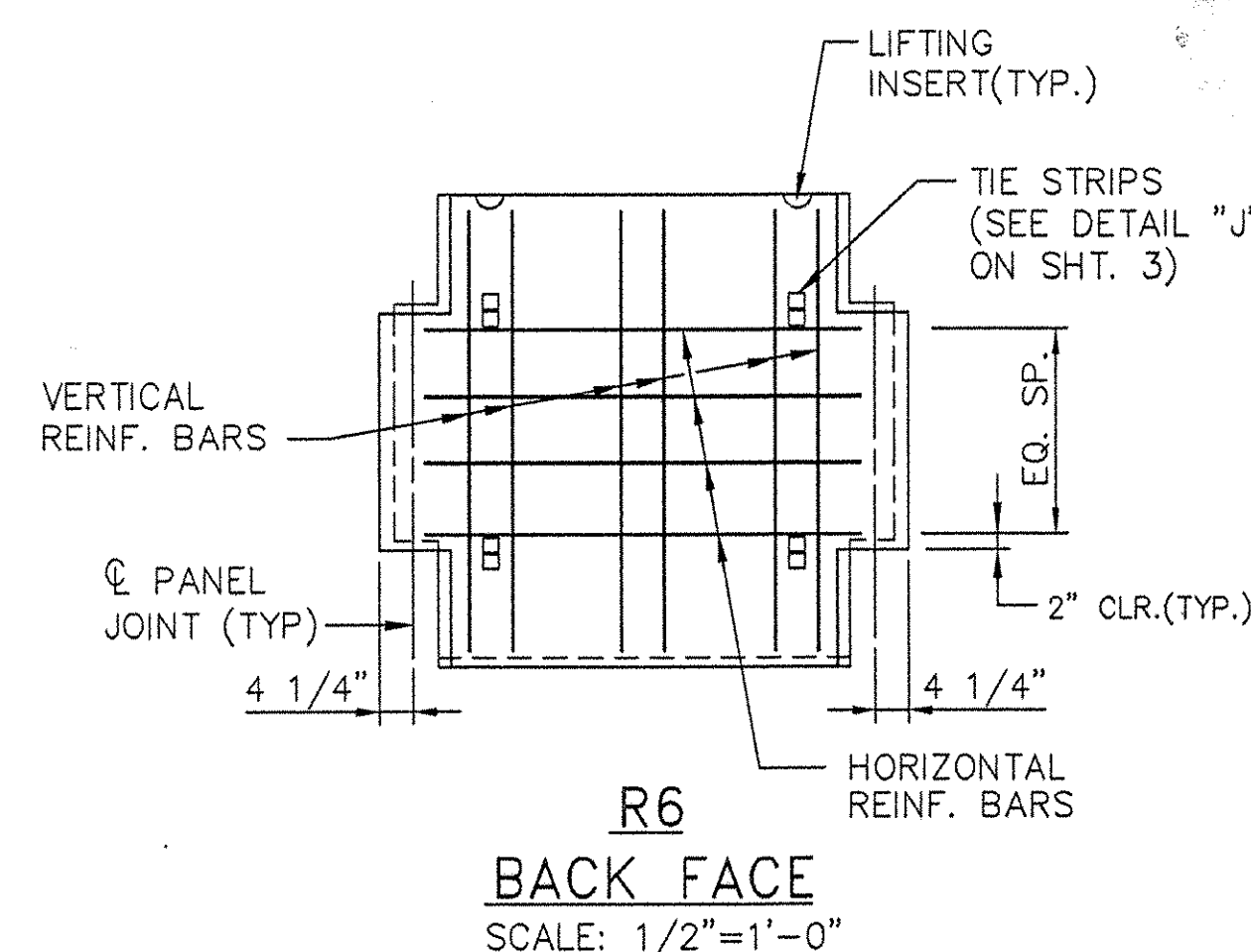
PIECE MARK	HORIZONTAL BARS	VERTICAL BARS
XX-XX-R6	4-#4	6-#3
XX-XX-R7	4-#6	6-#4

HORIZONTAL REINFORCEMENT IN THE OTHER PANEL TYPES IS PROPORTIONAL TO THEIR RELATIVE HEIGHT.

- KEY TO PIECE MARK:

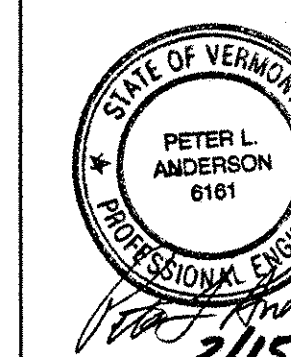


- KEY TO PANELS:



ASHLAR STONE PANEL FINISH
PANEL TYPE A
(LOOKING AT PANEL FACE)

CERTIFIED WITH RESPECT TO THE INTERNAL STABILITY OF REINFORCED EARTH STRUCTURES ONLY



2/15/01

C:\9360\SHOP\9360S01.DWG

<p>This drawing contains information proprietary to The Reinforced Earth Company, and is being furnished for the use of VERMONT AGENCY OF TRANSPORTATION only in connection with this project, and the information contained herein is not to be transmitted to any other organization unless specifically authorized in writing by The Reinforced Earth Company. The Reinforced Earth Company is exclusive licensee in the United States under patents issued to Henri Vidal, and the furnishing of this drawing does not constitute an expressed or implied license under the Vidal patents.</p>	<p>The design contained on these drawings is based on information provided by the owner. On the basis of this information, The Reinforced Earth Company has designed, and is responsible for the internal stability of the structure only. External stability, including foundation (bearing capacity and settlement) and slope (global) stability, is the responsibility of the owner.</p>	<p>The Reinforced Earth Company 8614 Westwood Center Drive Suite 1100, Vienna, Virginia 22182 (703) 821-1175</p>	DESIGNED BY: KPB		PROJECT NAME	FAIRFAX-FAIRFIELD-ST. ALBANS I-89 OVER VT 104	DATE	2-15-01
			PROJECT ENGR: KPB		LOCATION	FAIRFAX-FAIRFIELD-ST. ALBANS VERMONT	CONTRACT NO.	9360
			CHECKED BY: PLA	3/23/01	OWNER	VERMONT AOT	DRAWING NO.	1 OF 8
			ENG. MANAGER	REV.	DATE	DESCRIPTION	DRAWING COVERS	PANEL CASTING NOTES 405me AS SHOWN