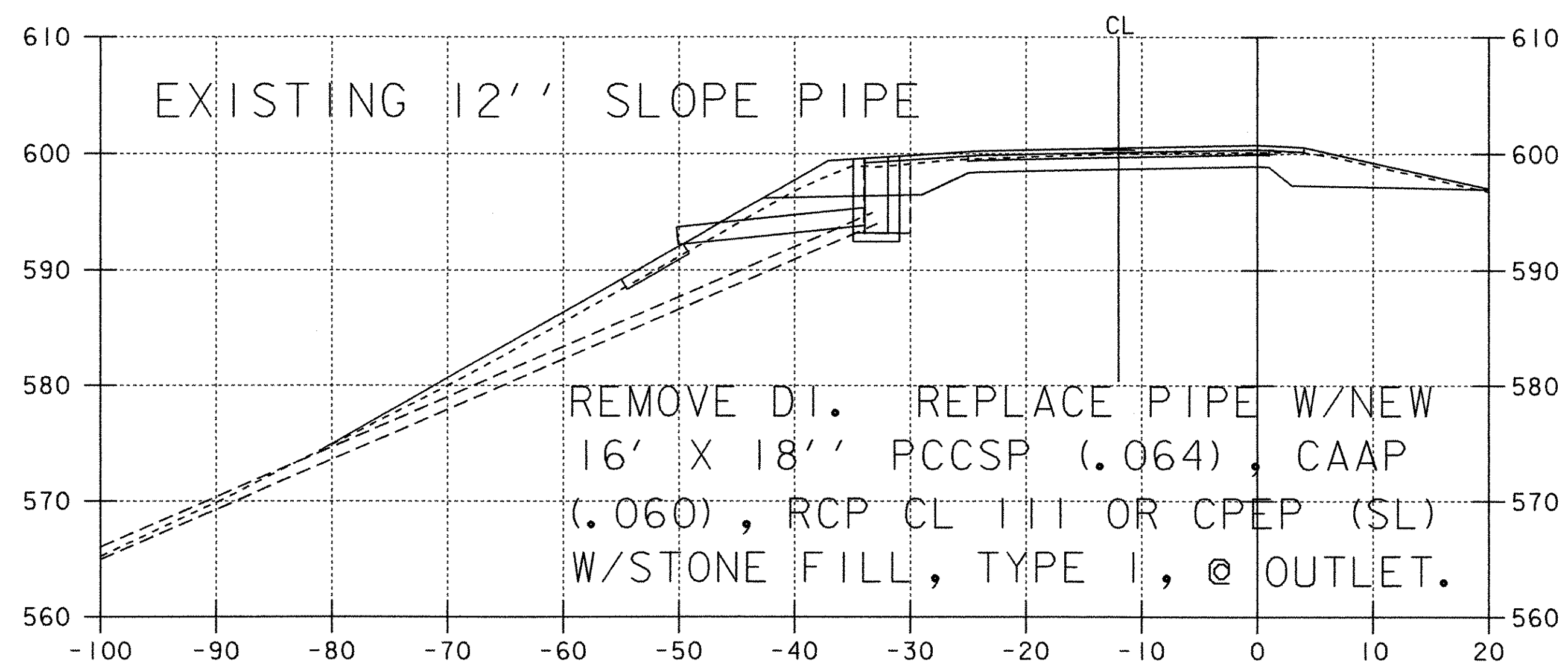


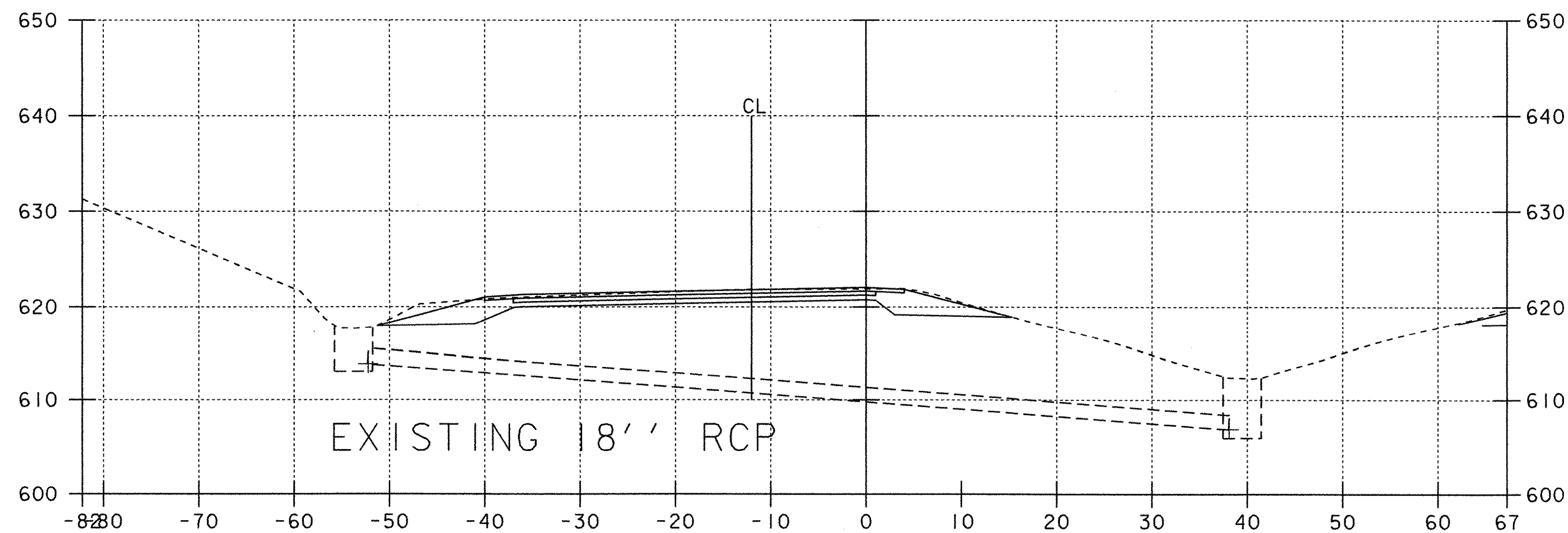
3292+00
EXISTING 24'' ACCGMP



EXISTING 12'' SLOPE PIPE

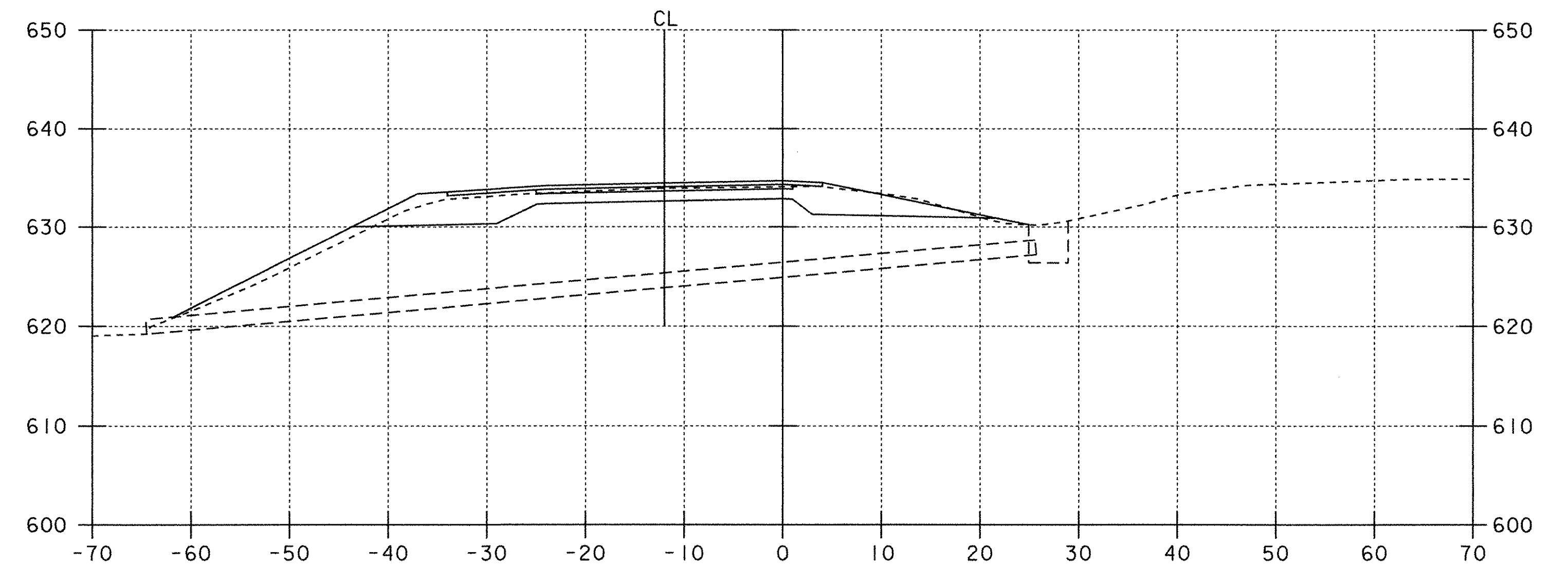
REMOVE DI. REPLACE PIPE W/NEW
16' X 18'' PCCSP (.064), CAAP
(.060), RCP CL 111 OR CPEP (SL)
W/STONE FILL, TYPE 1, @ OUTLET.

3291+00

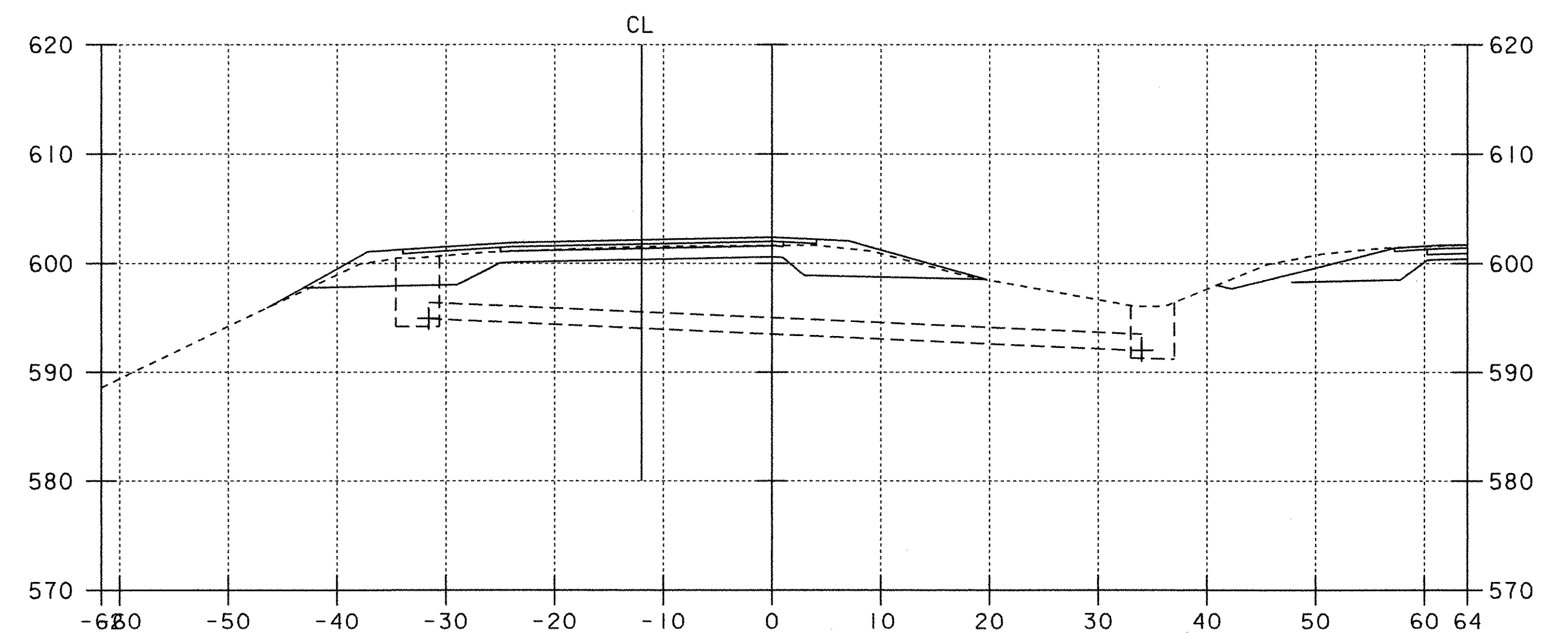


EXISTING 18'' RCP

3282+02

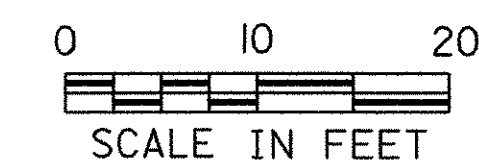


3307+99
EXISTING 18'' ACCGMP



3294+99
EXISTING 18'' RCP

SOUTHBOUND DRAINAGE CROSS SECTIONS



PROJECT:	FAIRFAX - FAIRFIELD - ST. ALBANS	PROJECT NO.:	IM 089-3(27)
DESIGN FILE NAME:	/87A007B/DESIGN/DA007DXS.DGN	PLOT DATE:	18-AUG-2000
IPARM FILE NAME:	DA007X5I	SURVEY DATE:	6/98
SURVEYED BY:	ORVIS	DRAWN BY:	SQUAD B
SQUAD LEADER:	DELLA SANTA	SHEET:	328 OF 370