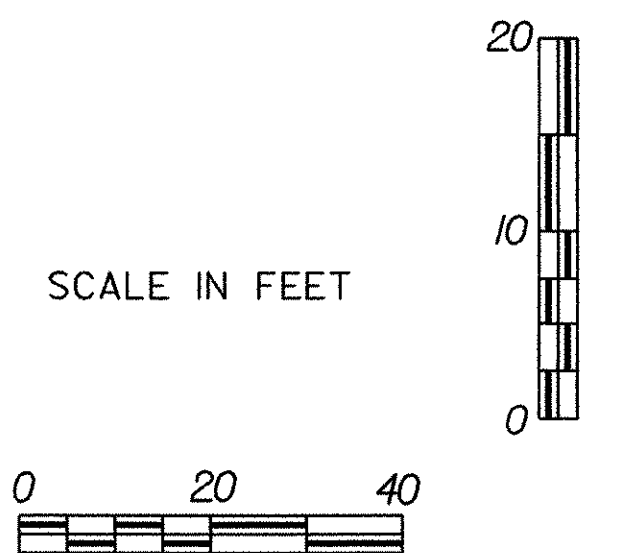


Crossover Profile To End Northbound Detour



DATUM
 VERTICAL ASSUMED
 HORIZONTAL ASSUMED

PROJECT: FAIRFAX-FAIRFIELD-ST. ALBANS	PROJECT NO.: IM 089-3(27)
DESIGN FILE NAME: /87A007B/DESIGN/DA007NBC.DGN	PLOT DATE: 19-AUG-2000
IPARM FILE NAME: DA007NP3	SURVEY DATE: 11/95
SURVEYED BY: GILMAN	DRAWN BY: SQUAD B
SQUAD LEADER: DELLA SANTA	SHEET: 294 OF 370