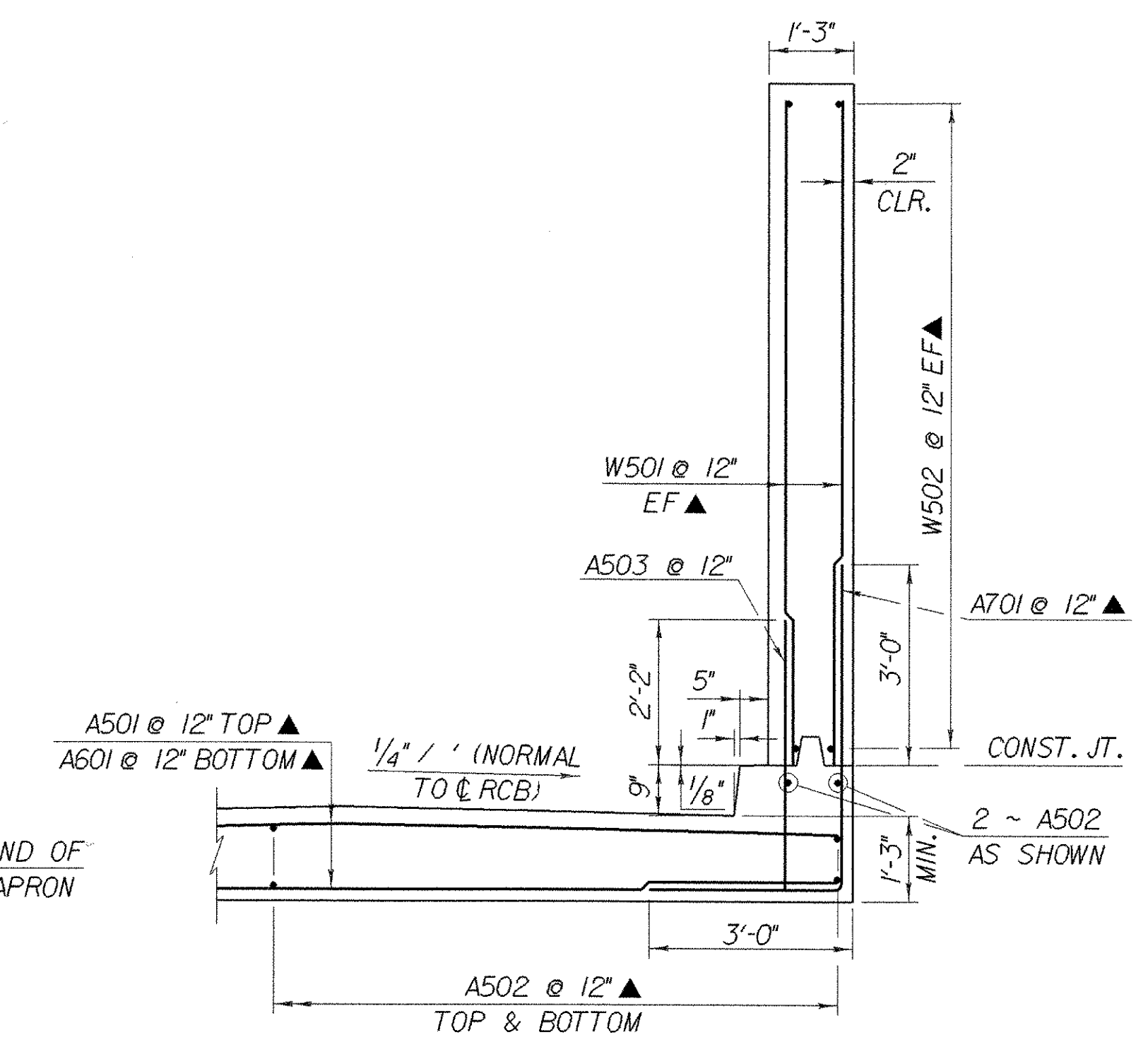
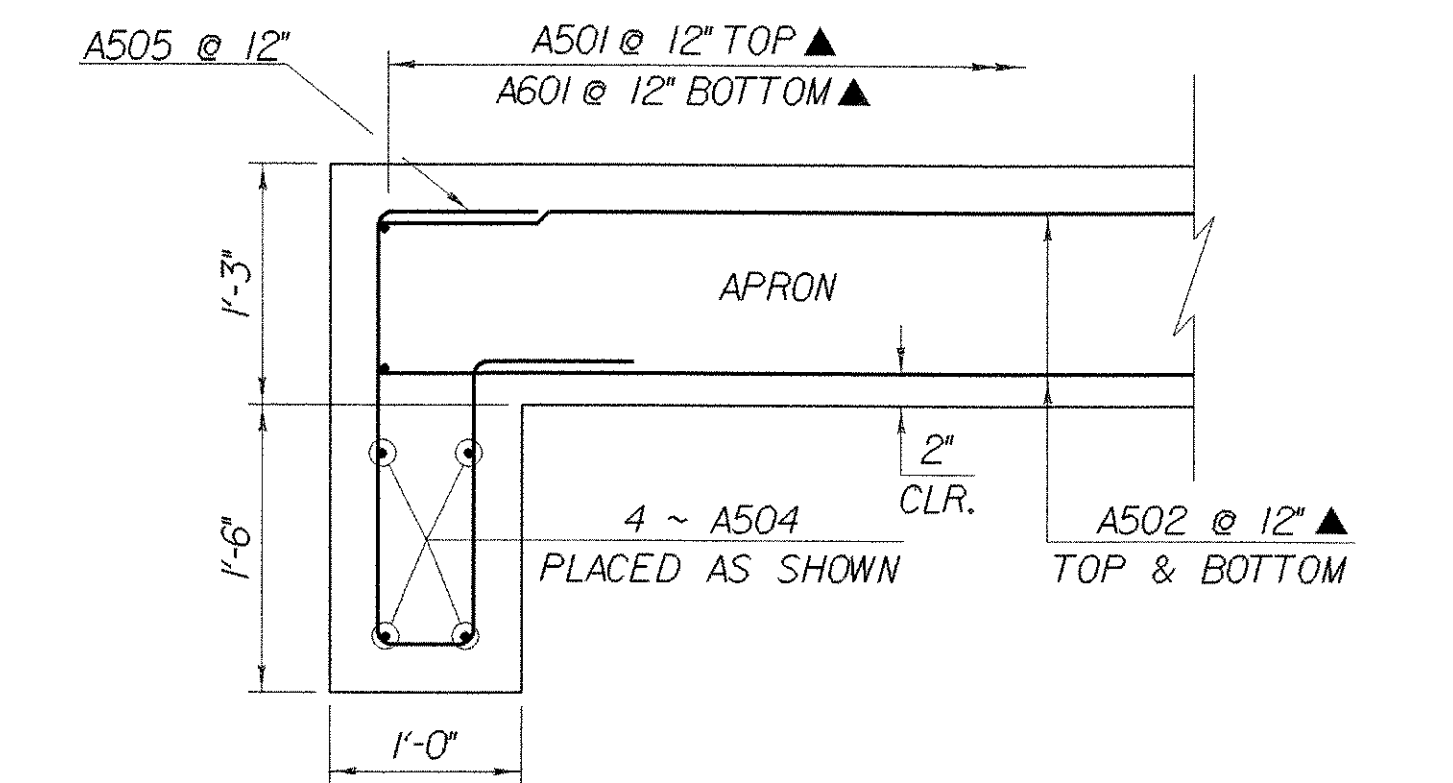


APRON REINFORCING DETAIL

SCALE: 3/8" = 1'-0"



WINGWALL TYPICAL
(SECTION NORMAL TO WINGWALL STEM)
SCALE: 1/2" = 1'-0"



CUTOFF WALL REINFORCING DETAIL

SCALE: 1" = 1'-0"

NOTE:

- NF = NEAR FACE
- FF = FAR FACE
- EF = EACH FACE
- ▲ = CUT TO FIT IN FIELD
- 3' CLR. UNLESS OTHERWISE SPECIFIED ON THE PLANS.

STATE OF VERMONT AGENCY OF TRANSPORTATION			
Town Of FAIRFAX-FAIRFIELD - ST. ALBANS	Bridge No. 88-3	Log Sta.	
Highway No. 1-89	Surv. Sta.		
1-89 OVER REINFORCED CONCRETE BOX 88-3 APRON REINFORCING DETAILS			
Designed By P. PERRY	Date	Drawn By K. CHISHOLM	Bridge Design Supervisor
Checked By P. PERRY	02/00	R.R. WHITCOMB	Date 02/00
PROJECT FAIRFAX-FAIRFIELD - ST. ALBANS	PROJECT NO. 1M 089 - 3 (27)		
I.G.C. Info. 96a056structures\sa056ab4.dgn	sa056b331		
Bridge Sheet No. BR503	Sheet 247 of 370		