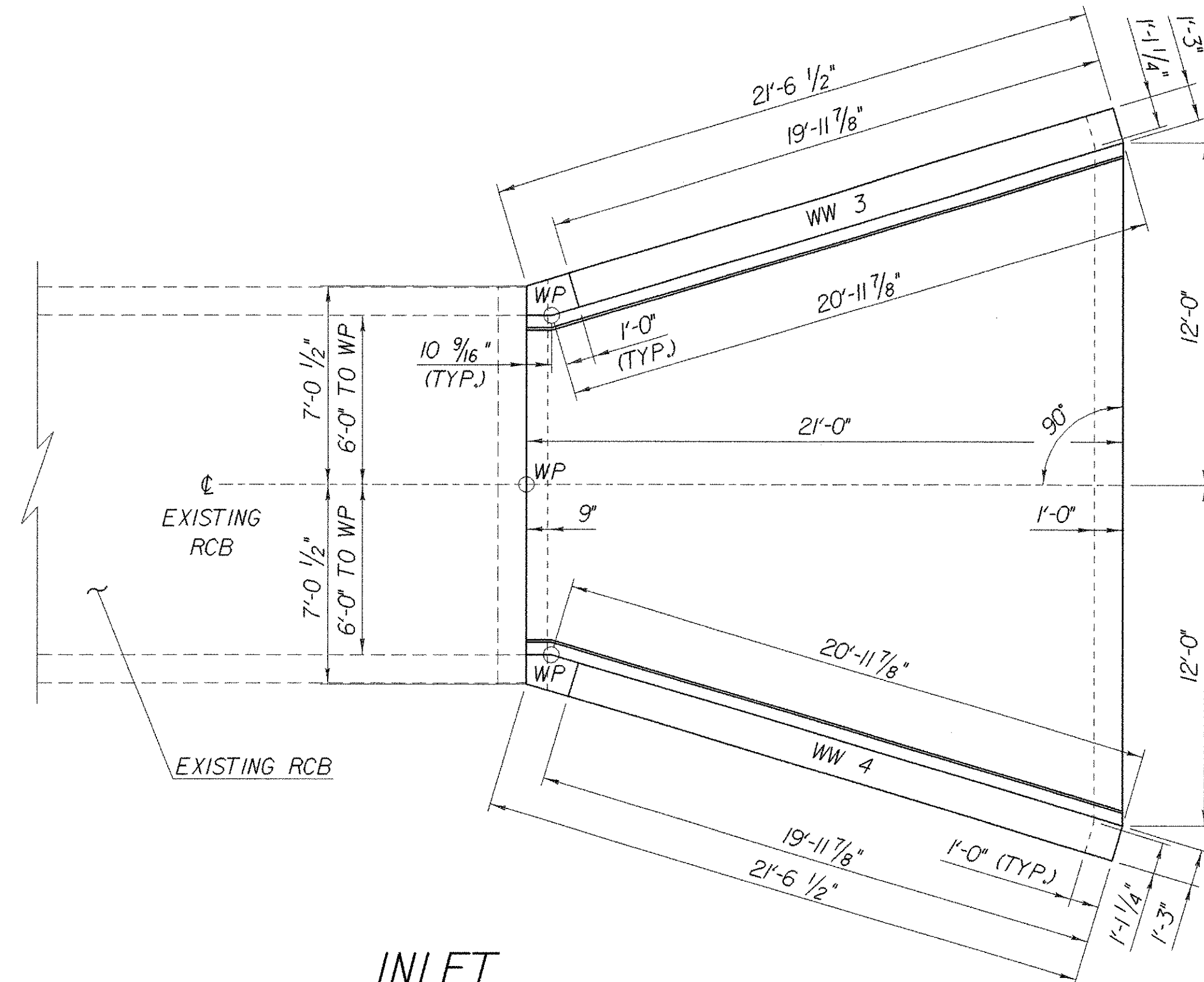


OUTLET
SCALE: 1/4" = 1'-0"



INLET
SCALE: 1/4" = 1'-0"

STATE OF VERMONT AGENCY OF TRANSPORTATION			
Town Of FAIRFAX-FAIRFIELD - ST. ALBANS	Bridge No. 88-3	Log Sta.	
Highway No. I-89	Surv. Sta.		
1-89 OVER REINFORCED CONCRETE BOX 88-3 APRON PLAN			
Designed By P. PERRY	Drawn By K. CHISHOLM		
Checked By P. PERRY	Date 02/00	Bridge Design Supervisor R. R. WHITCOMB Date 02/00	
PROJECT FAIRFAX-FAIRFIELD - ST. ALBANS		PROJECT NO. 1M 089 - 3 (27)	
I.G.C. Info. 96a056structures\sa056ab4.dgn		sa056bx2j	
Bridge Sheet No. BR502		Sheet 246 of 370	