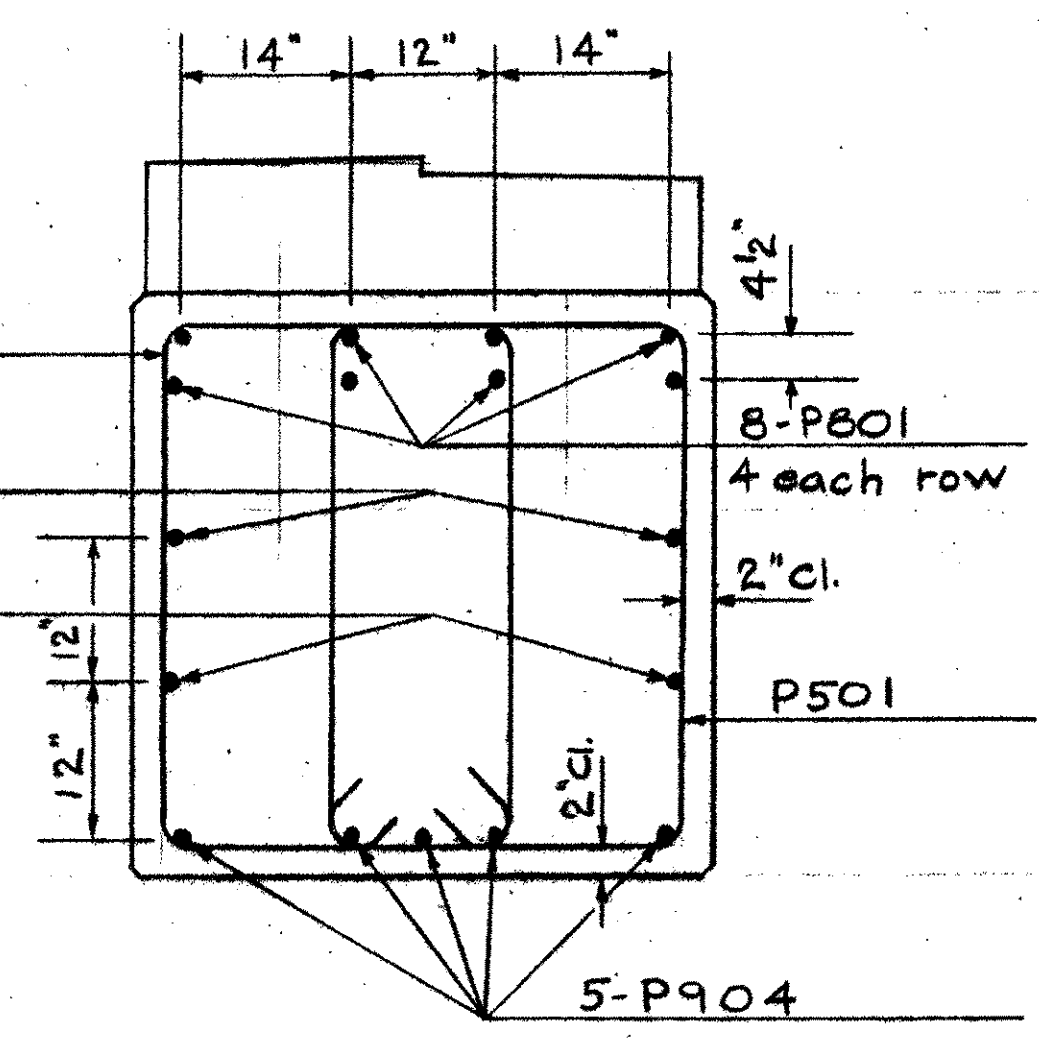
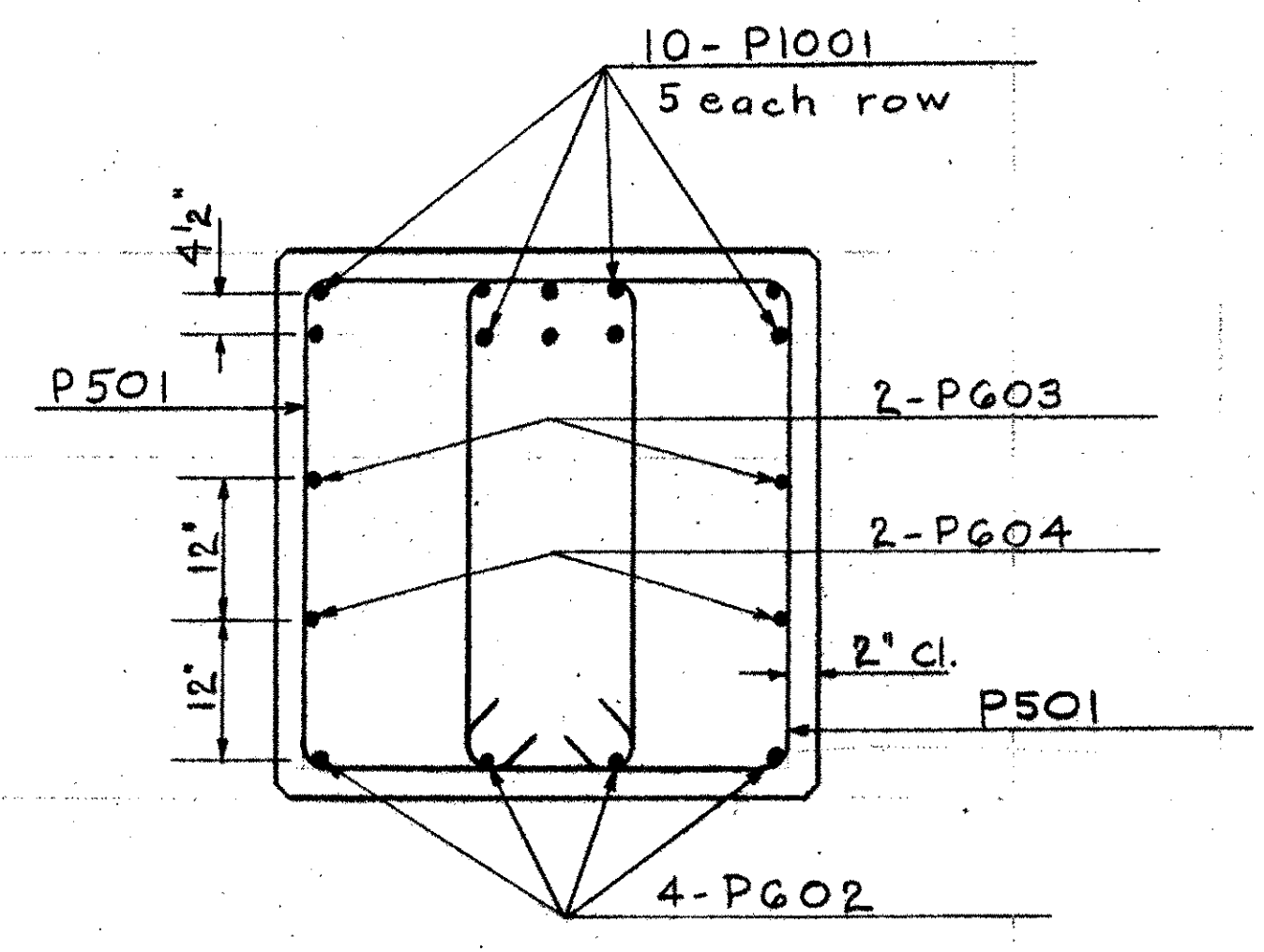


Cap Reinforcing Plan  
Scale  $\frac{3}{8}'' = 1'-0''$

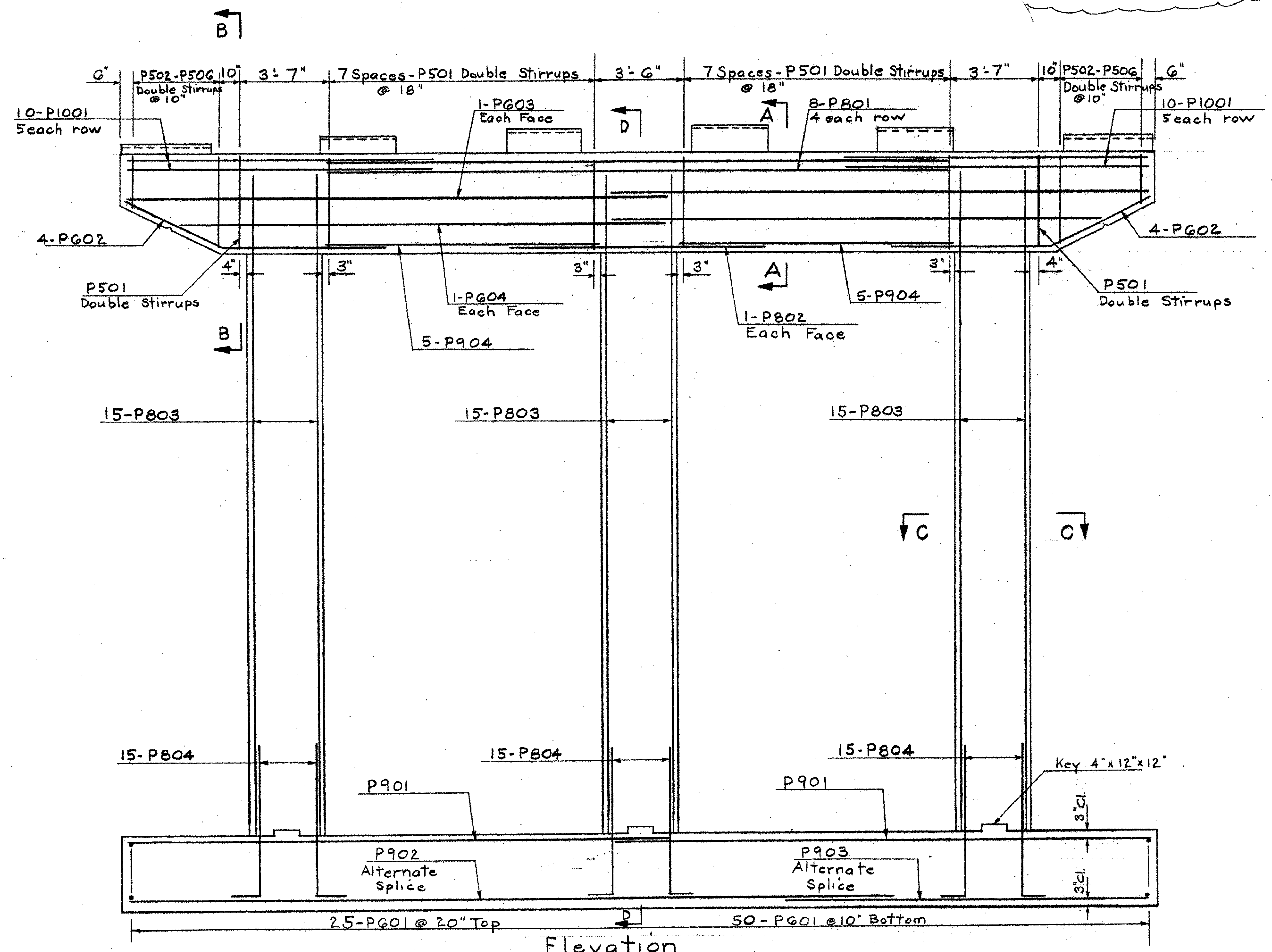
BRIDGE SHEET BR461  
REFERENCE SHEET 7 OF 37  
SHEET 213 OF 370



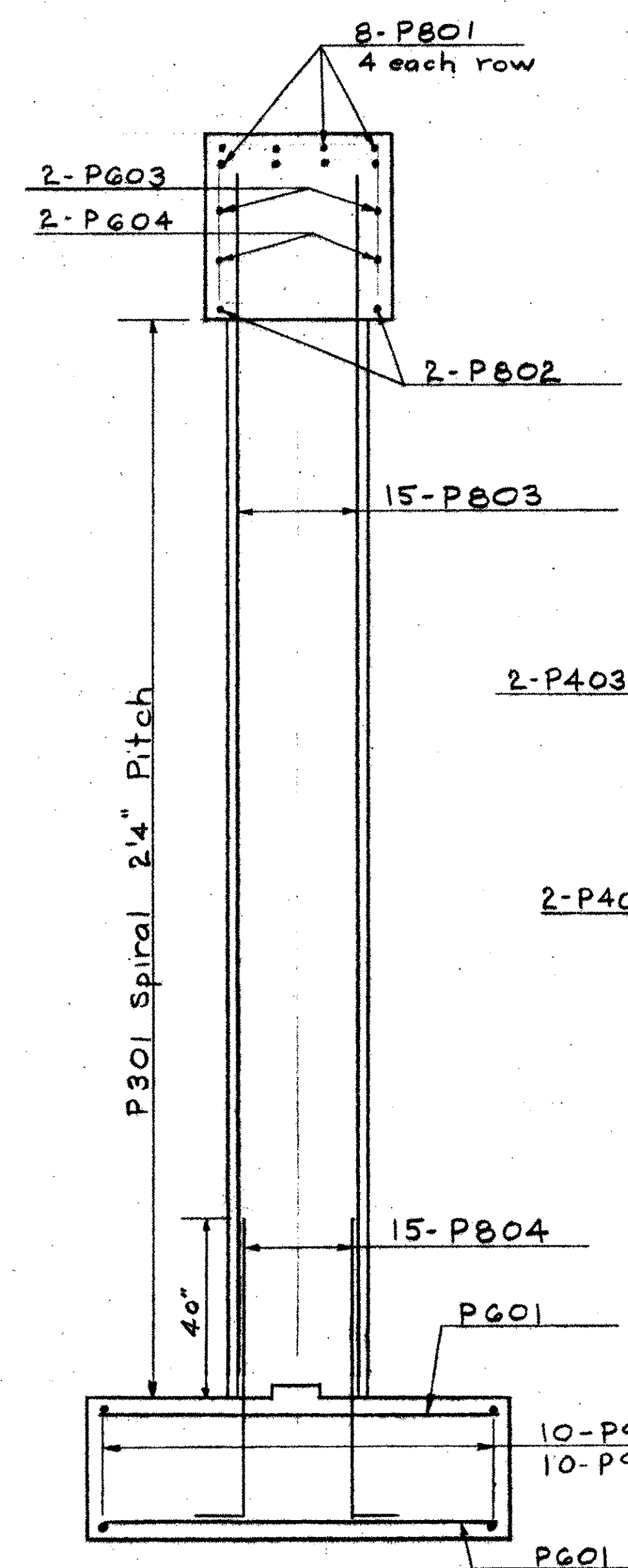
Section A-A  
Scale  $\frac{3}{4}'' = 1'-0''$



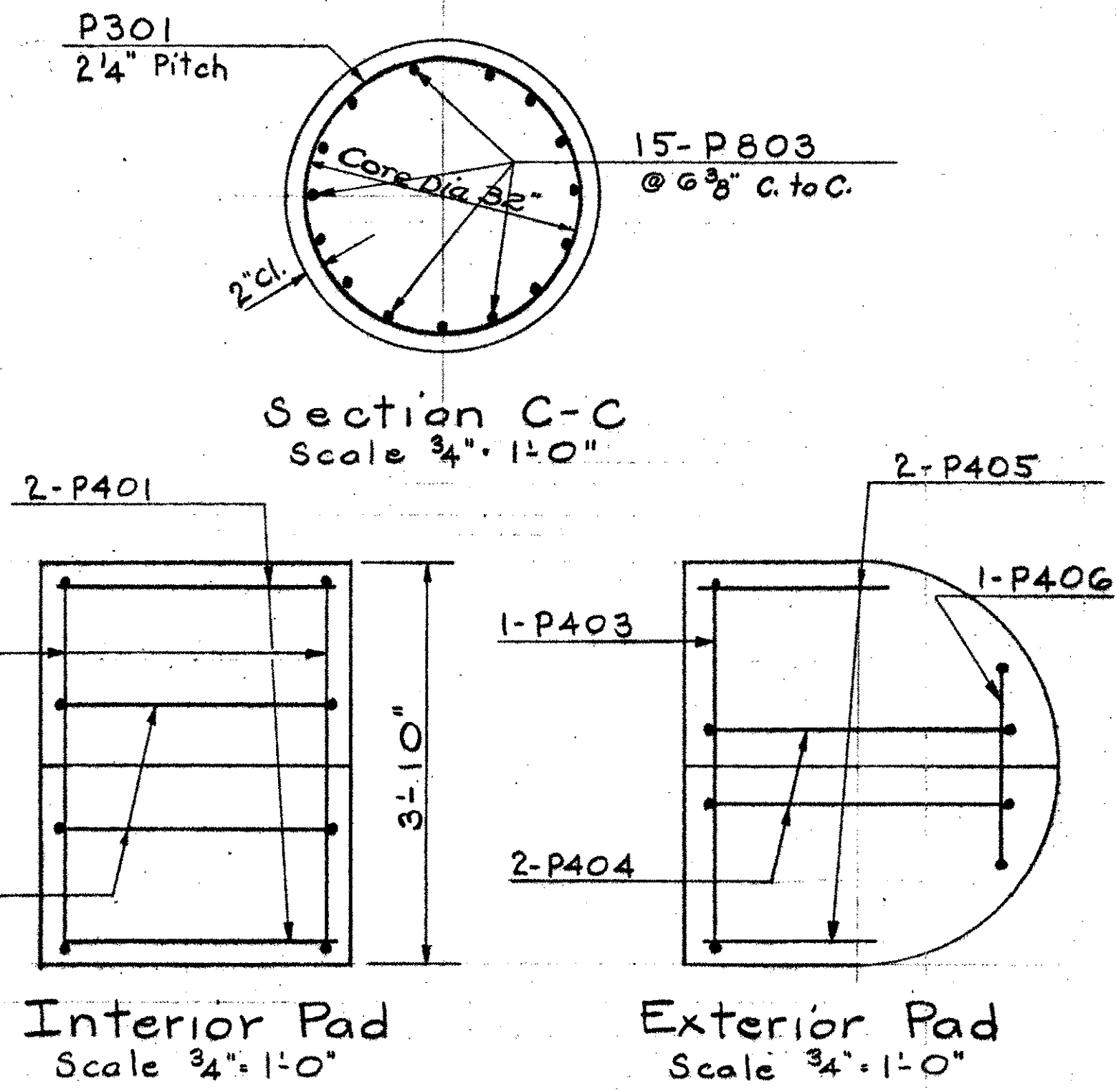
Section B-B  
Scale  $\frac{3}{4}'' = 1'-0''$



Elevation  
Scale  $\frac{3}{8}'' = 1'-0''$



Section D-D  
Scale  $\frac{3}{8}'' = 1'-0''$



Interior Pad  
Scale  $\frac{3}{4}'' = 1'-0''$

Exterior Pad  
Scale  $\frac{3}{4}'' = 1'-0''$

Section C-C  
Scale  $\frac{3}{4}'' = 1'-0''$

STATE OF VERMONT  
DEPARTMENT OF HIGHWAYS  
Georgia-Fairfax-  
TOWN OF Fairfield-St. Albans  
ROUTE No. I 89 Log STA. \_\_\_\_\_  
Pier #1 & #2 Reinforcing Steel  
I 89 over Approach Road  
SCALE AS NOTED  
DRAWN BY A.J.C. CHECKED BY J.J.C.  
PROJECT No. I 89-3(35) cont. #2  
SHEET 202 OF 407

CONTRACT 2

Stage 1 Construction