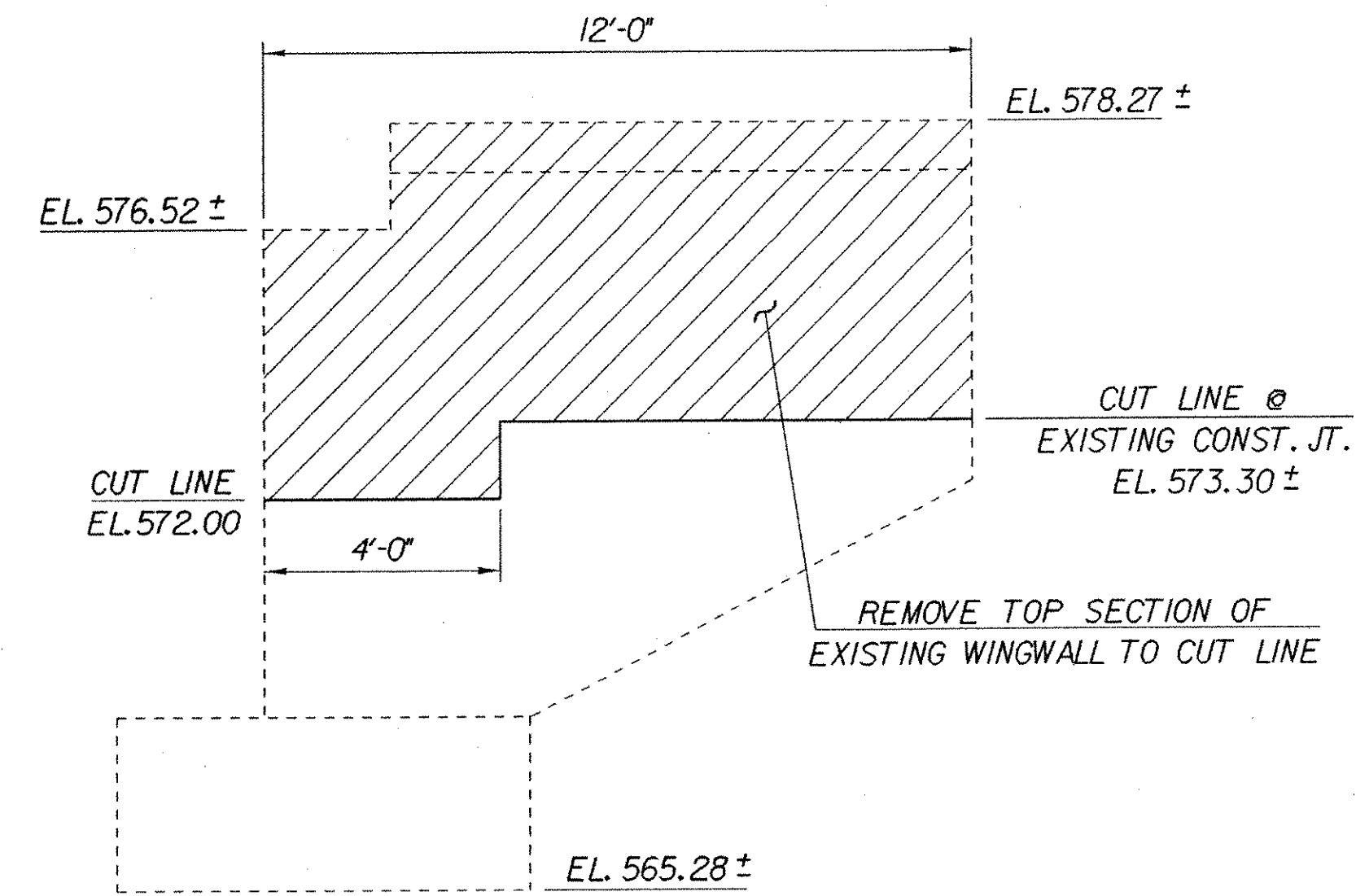


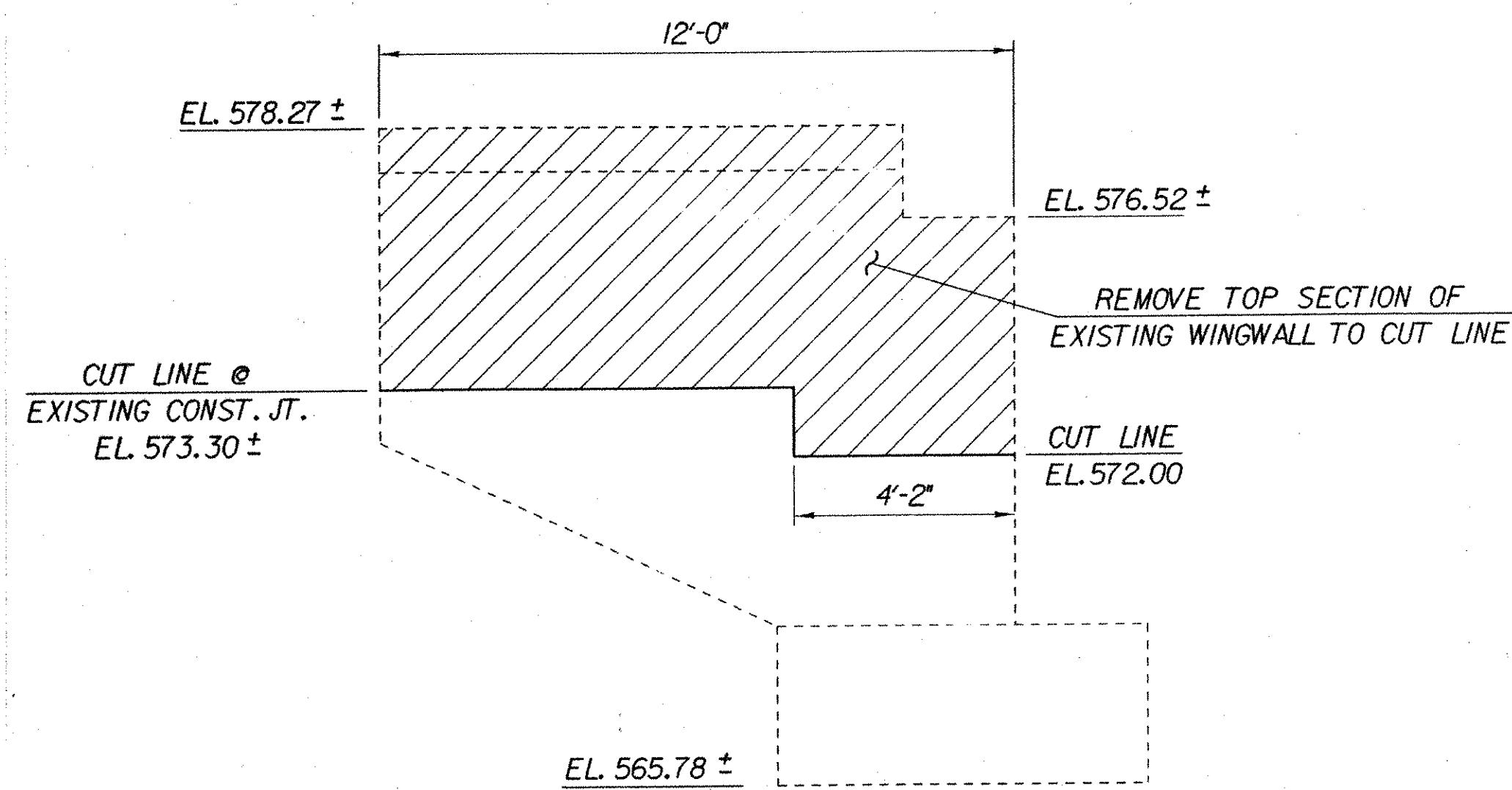
PARTIAL REMOVAL OF EXISTING WINGWALL NO. 10

SCALE: 3/8" = 1'-0"



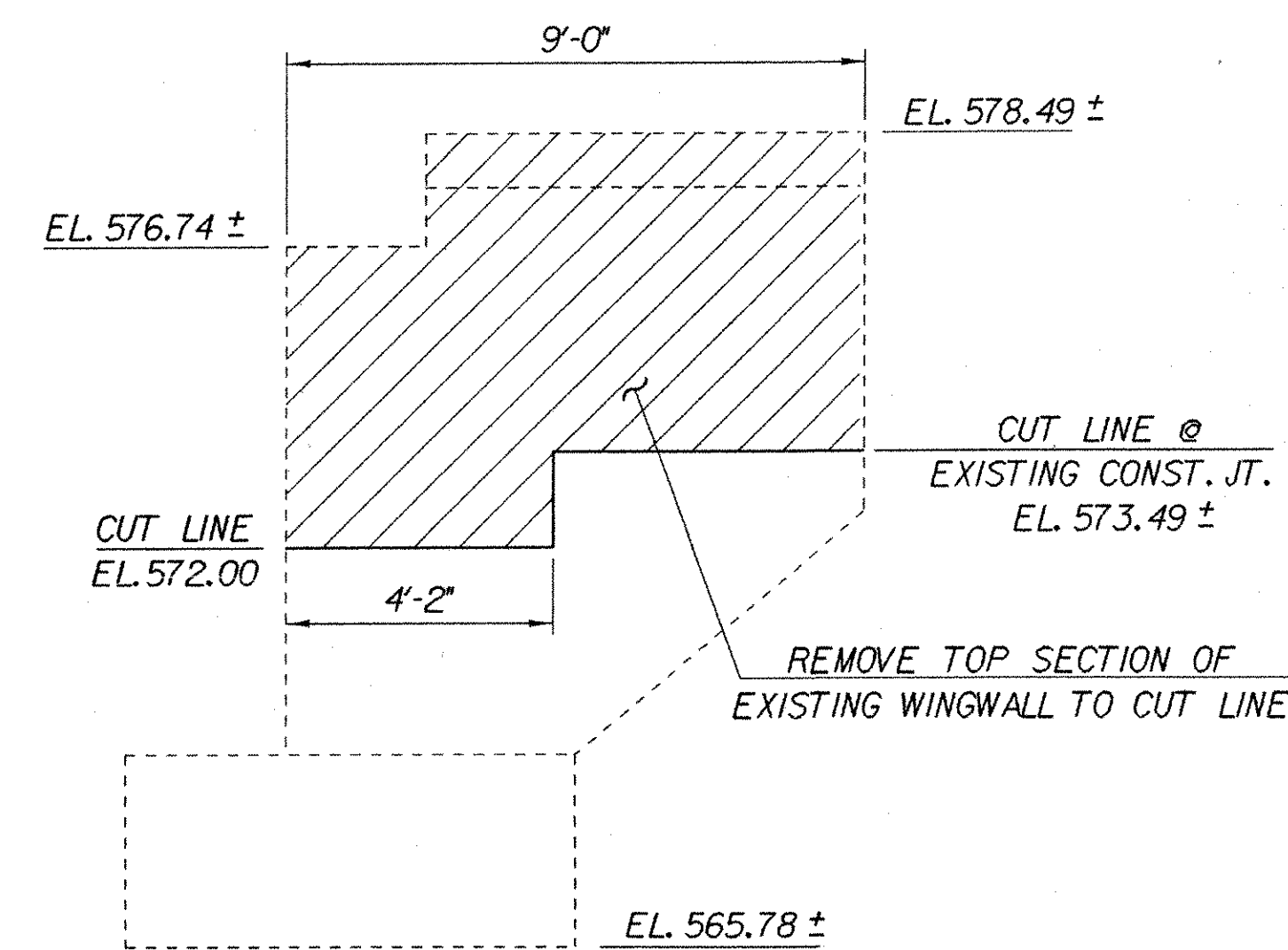
PARTIAL REMOVAL OF EXISTING WINGWALL NO. 9

SCALE: 3/8" = 1'-0"



PARTIAL REMOVAL OF EXISTING WINGWALL NO. 11

SCALE: 3/8" = 1'-0"



PARTIAL REMOVAL OF EXISTING WINGWALL NO. 12

SCALE: 3/8" = 1'-0"

IMPORTANT NOTE: BRIDGE FINISHED GRADES ARE CENTERLINE GRADES.

**STATE OF VERMONT
AGENCY OF TRANSPORTATION**

Town Of FAIRFAX-FAIRFIELD-ST. ALBANS	Bridge No. 885
Highway No. 1-89	Log Sta. Surv. Sta.
1-89 OVER ST. ALBANS SOUTH STATE HIGHWAY (EXIT 19) 885 WINGWALL REMOVAL DETAILS	
Designed By M. LOZIER	Drawn By K. CHISHOLM
Checked By M. LOZIER Date 2/00	Bridge Design Supervisor R. R. WHITCOMB Date 2/00
PROJECT FAIRFAX-FAIRFIELD-ST. ALBANS	PROJECT NO. 1 M 089 - 3 (27)
I.G.C. Info. 96a056\Structures\sa056ab2.dgn	sa056m2j
Bridge Sheet No. BR437	Sheet 189 of 370