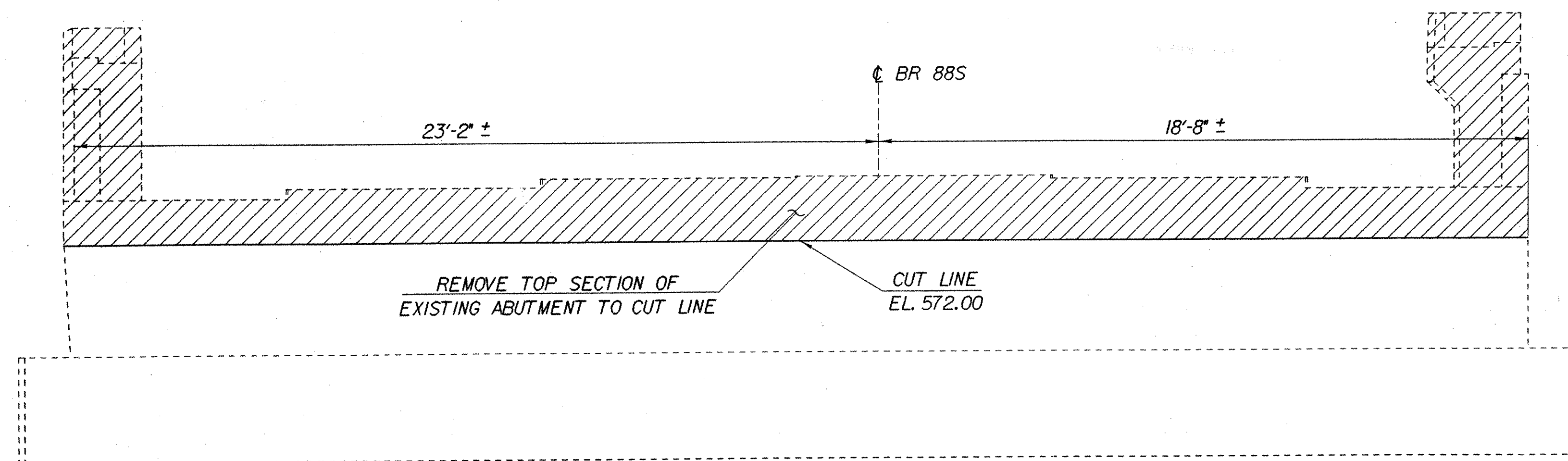


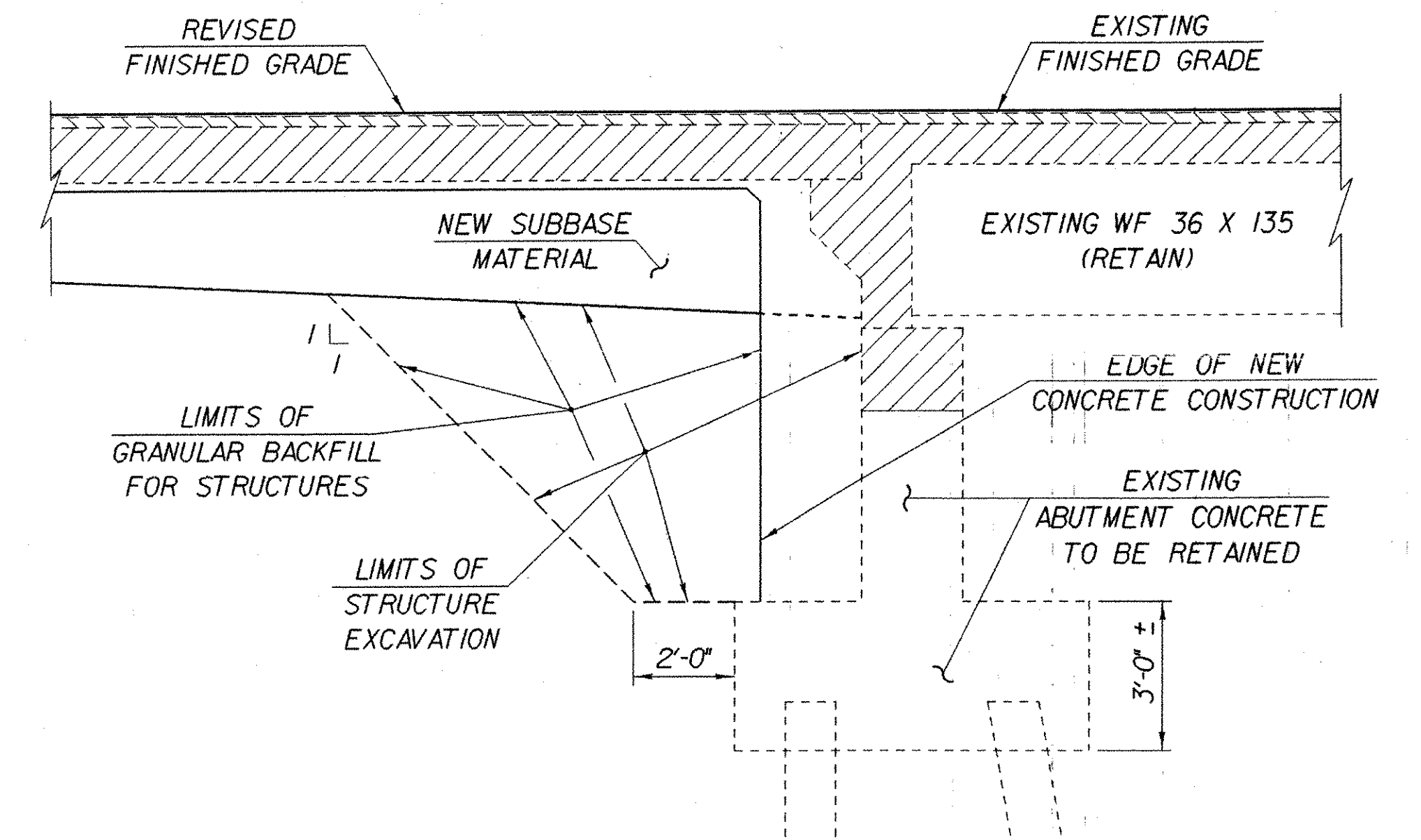
PARTIAL REMOVAL OF EXISTING ABUTMENT NO. 5

SCALE: 3/8" = 1'-0"



PARTIAL REMOVAL OF EXISTING ABUTMENT NO. 6

SCALE: 3/8" = 1'-0"



ABUTMENT EARTHWORK TYPICAL

NOT TO SCALE

1. REMOVAL AND DISPOSAL TO BE PAID UNDER ITEM 529.10, "REMOVAL OF BRIDGE PAVEMENT".
- REMOVAL AND DISPOSAL TO BE PAID UNDER ITEM 529.20, "PARTIAL REMOVAL OF STRUCTURE". SEE PROJECT NOTE 8 ON SHEET BR403.
2. ACTUAL EXCAVATION TO BE DETERMINED BY THE CONTRACTOR, BUT PAYMENT FOR STRUCTURE EXCAVATION SHALL BE AS SHOWN. THE CONTRACTOR SHALL NOT EXCAVATE BELOW THE EXISTING BOTTOM OF FOOTING CONCRETE ELEVATION.

IMPORTANT NOTE: BRIDGE FINISHED GRADES ARE CENTERLINE GRADES.

**STATE OF VERMONT
AGENCY OF TRANSPORTATION**

Town Of FAIRFAX-FAIRFIELD-ST. ALBANS	Bridge No. 88S
Highway No. 1-89	Log Sta. Surv. Sta.
1-89 OVER ST. ALBANS SOUTH STATE HIGHWAY (EXIT 19)	
88S ABUTMENT REMOVAL DETAILS	
Designed By M. LOZIER	Drawn By K. CHISHOLM
Checked By M. LOZIER	Bridge Design Supervisor R. R. WHITCOMB
Date 2/00	Date 2/00
PROJECT FAIRFAX-FAIRFIELD-ST. ALBANS	PROJECT NO. 1M 089 - 3 (27)
I.G.C. Info. 96a056Structures\sa056ab2.dgn	sa056rml1
Bridge Sheet No. BR436	Sheet 188 of 370