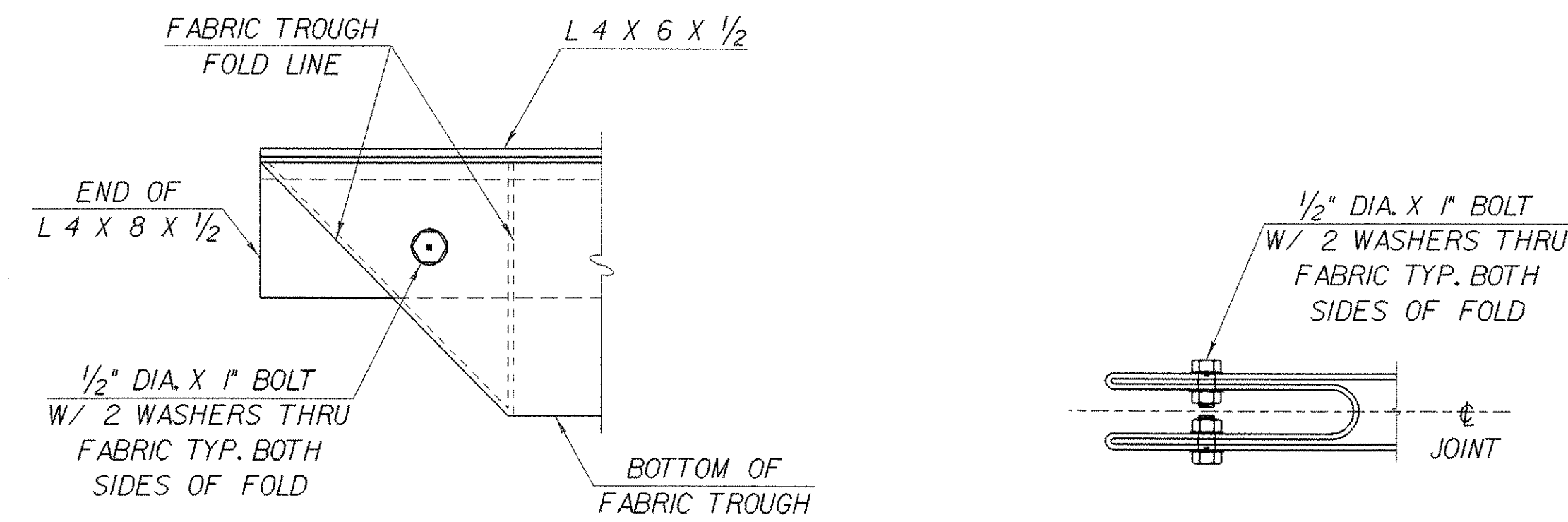


EXPANSION JOINT PLAN @ ABUTMENT NO. 8

SCALE: 1" = 1'-0"



ELEVATION

PLAN

FOLDED TROUGH END DETAILS

NOT TO SCALE

STATE OF VERMONT AGENCY OF TRANSPORTATION	
Town of FAIRFAX-FAIRFIELD-ST. ALBANS	Bridge No. 88N
Highway No. 1-89	Log Sta. Surv. Sta.
1-89 OVER ST. ALBANS SOUTH STATE HIGHWAY (EXIT 19) 88N EXPANSION JOINT PLAN	
Designed By G. ROY	Drawn By K. CHISHOLM
Checked By M. LOZIER	Bridge Design Supervisor R. R. WHITCOMB
Date 2/00	Date 2/00
PROJECT FAIRFAX-FAIRFIELD-ST. ALBANS	PROJECT NO. 1M 089 - 3 (27)
I.G.C. Info. 96a056Structures\sa056exp.dgn	sa056ex4J
Bridge Sheet No. BR426	Sheet 178 of 370