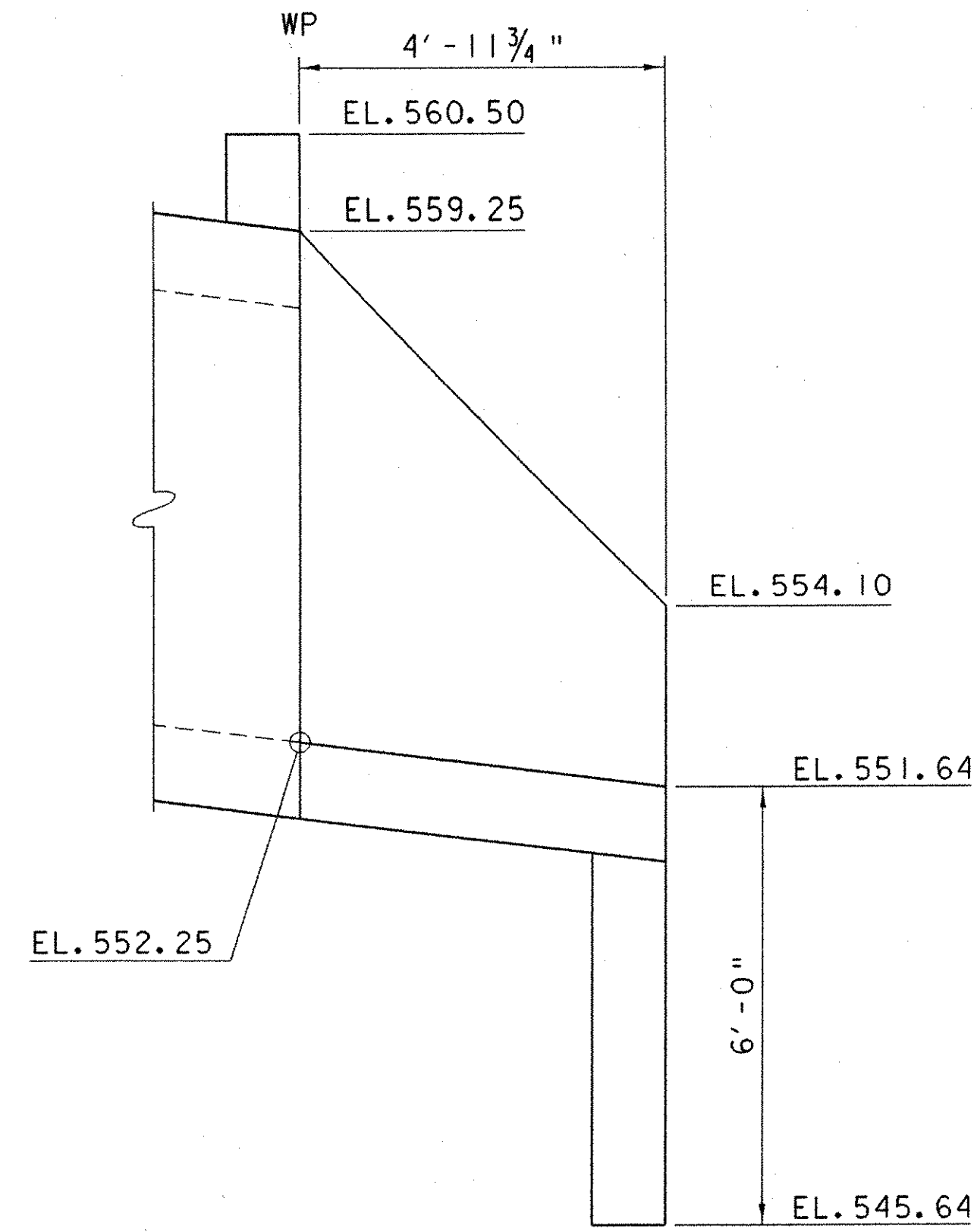
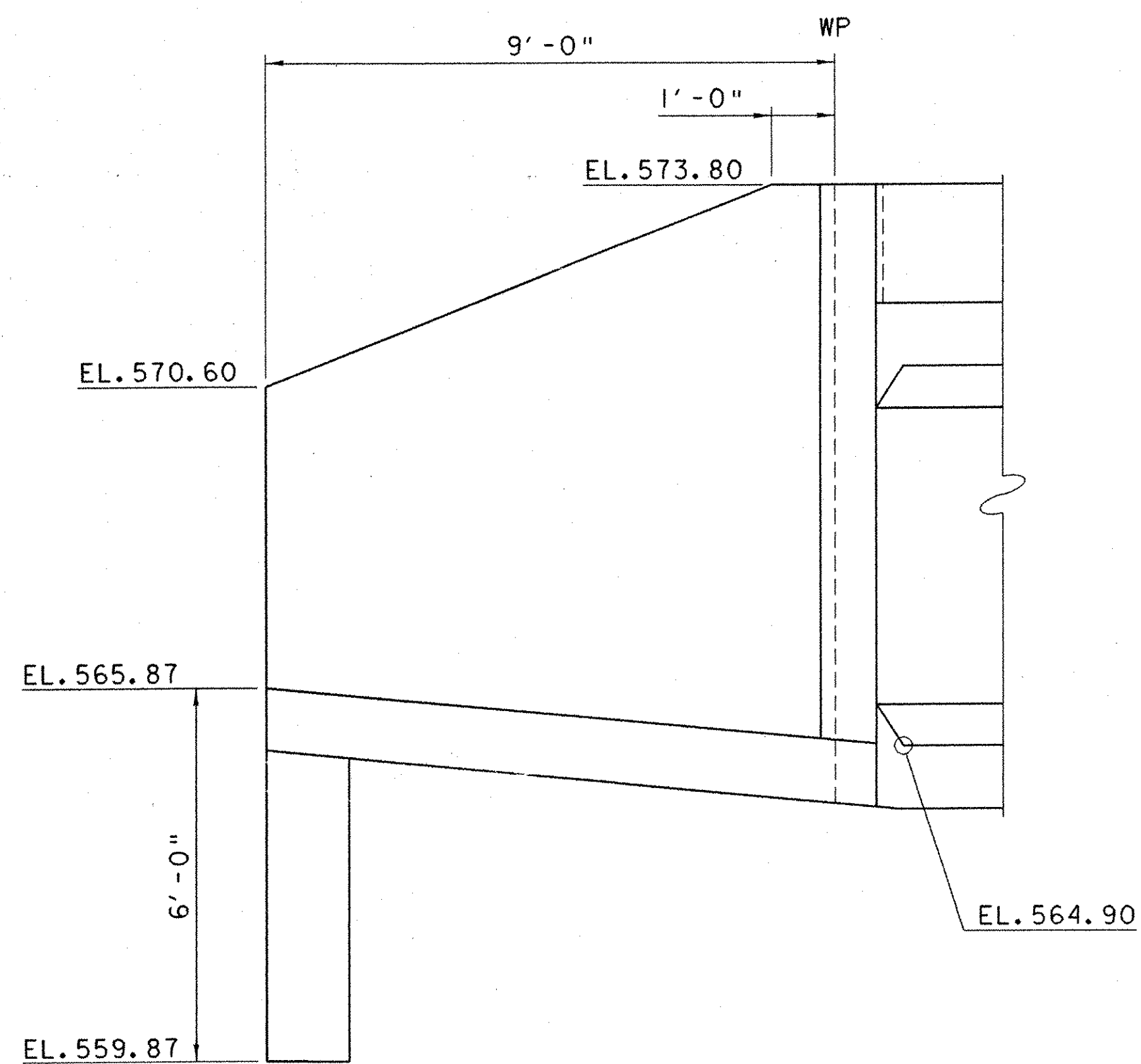


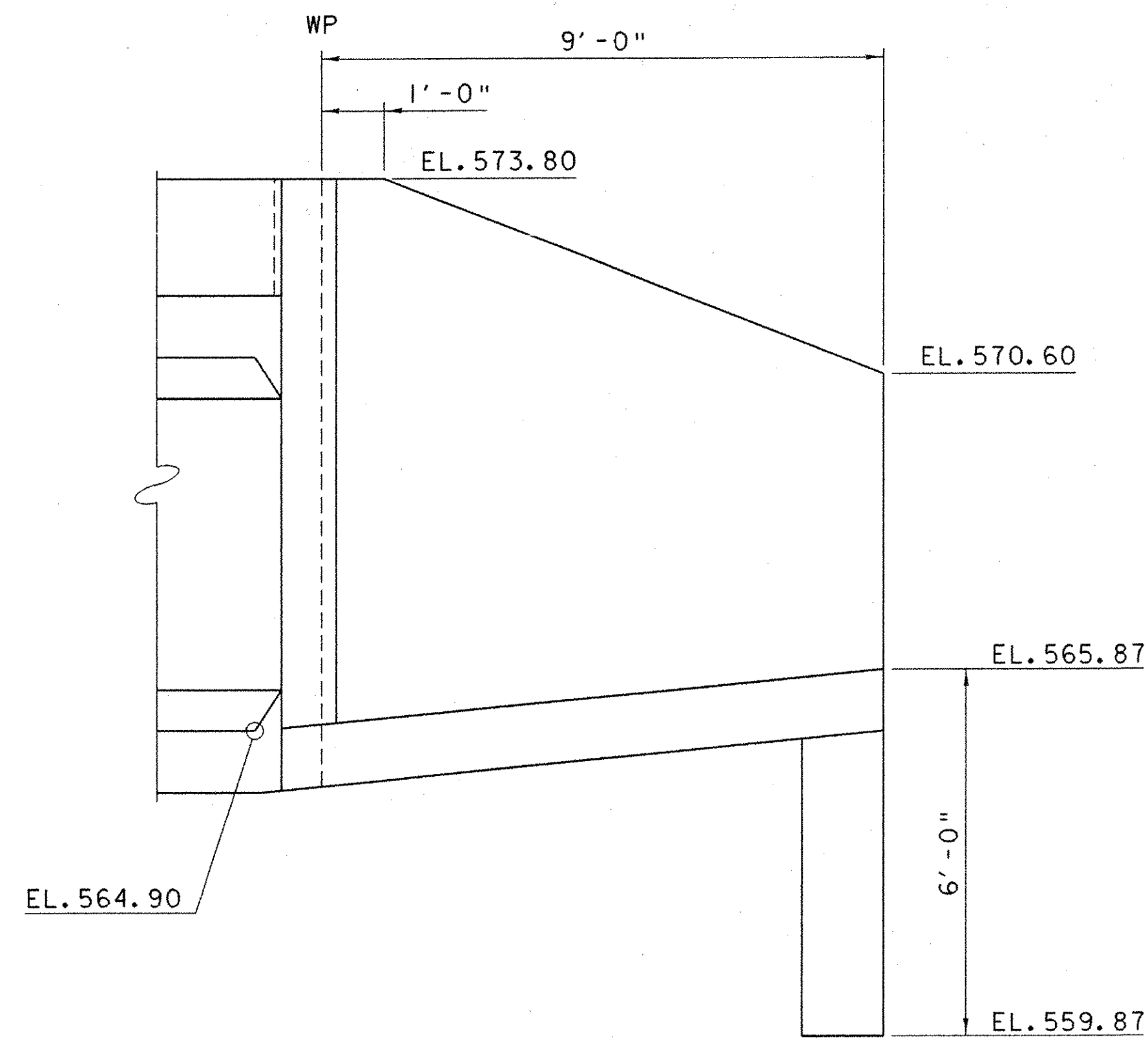
WINGWALL NO. 5 ELEVATION
SCALE: 1/2" = 1'-0"



WINGWALL NO. 6 ELEVATION
SCALE: 1/2" = 1'-0"



WINGWALL NO. 8 ELEVATION
SCALE: 1/2" = 1'-0"



WINGWALL NO. 7 ELEVATION
SCALE: 1/2" = 1'-0"

IMPORTANT NOTE: BRIDGE FINISHED GRADES ARE CENTERLINE GRADES.

**STATE OF VERMONT
AGENCY OF TRANSPORTATION**

Town Of FAIRFAX-FAIRFIELD-ST. ALBANS	Bridge No. 87-3 N&S
Highway No. 1-89	Log Sta. Surv. Sta.
1-89 OVER THE RUGG BROOK	
87-3 SOUTHBOUND WINGWALL ELEVATIONS	
Designed By G. ROY	Drawn By G. ROY
Checked By M. LOZIER	Bridge Design Supervisor R. R. WHITCOMB
Date 07/00	Date 07/00
PROJECT FAIRFAX-FAIRFIELD-ST. ALBANS	PROJECT NO. 1M 089 - 3 (27)
I.G.C. Info. 96a056\structures\sa056ab5.dgn	sa056pb41
Bridge Sheet No. BR314	Sheet 140 of 370