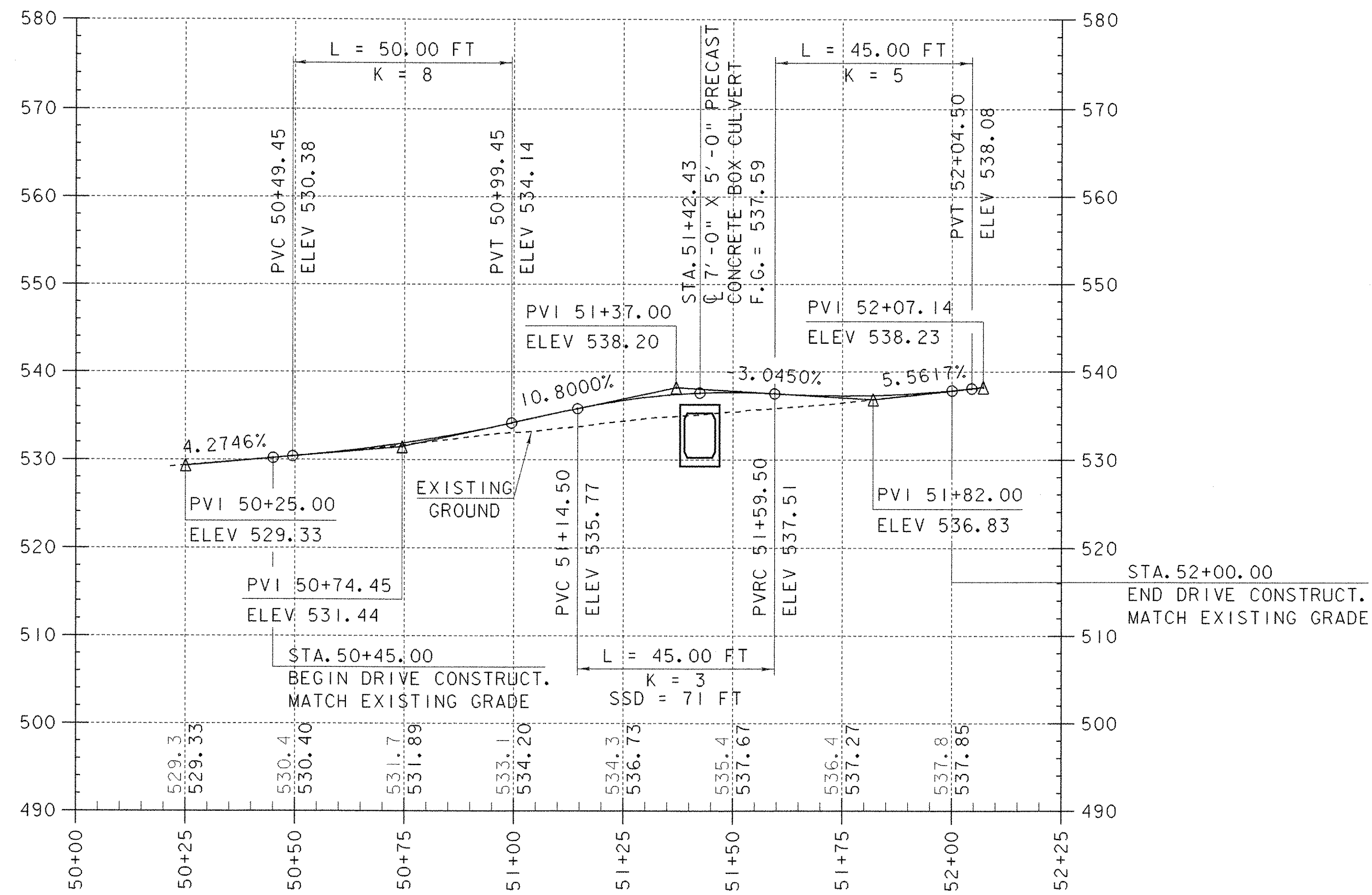
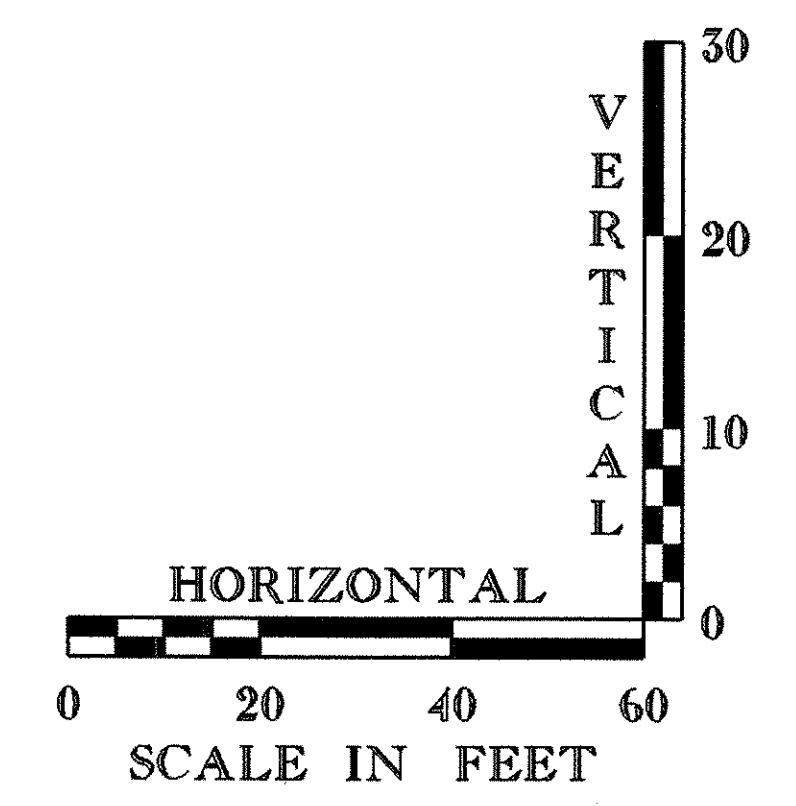
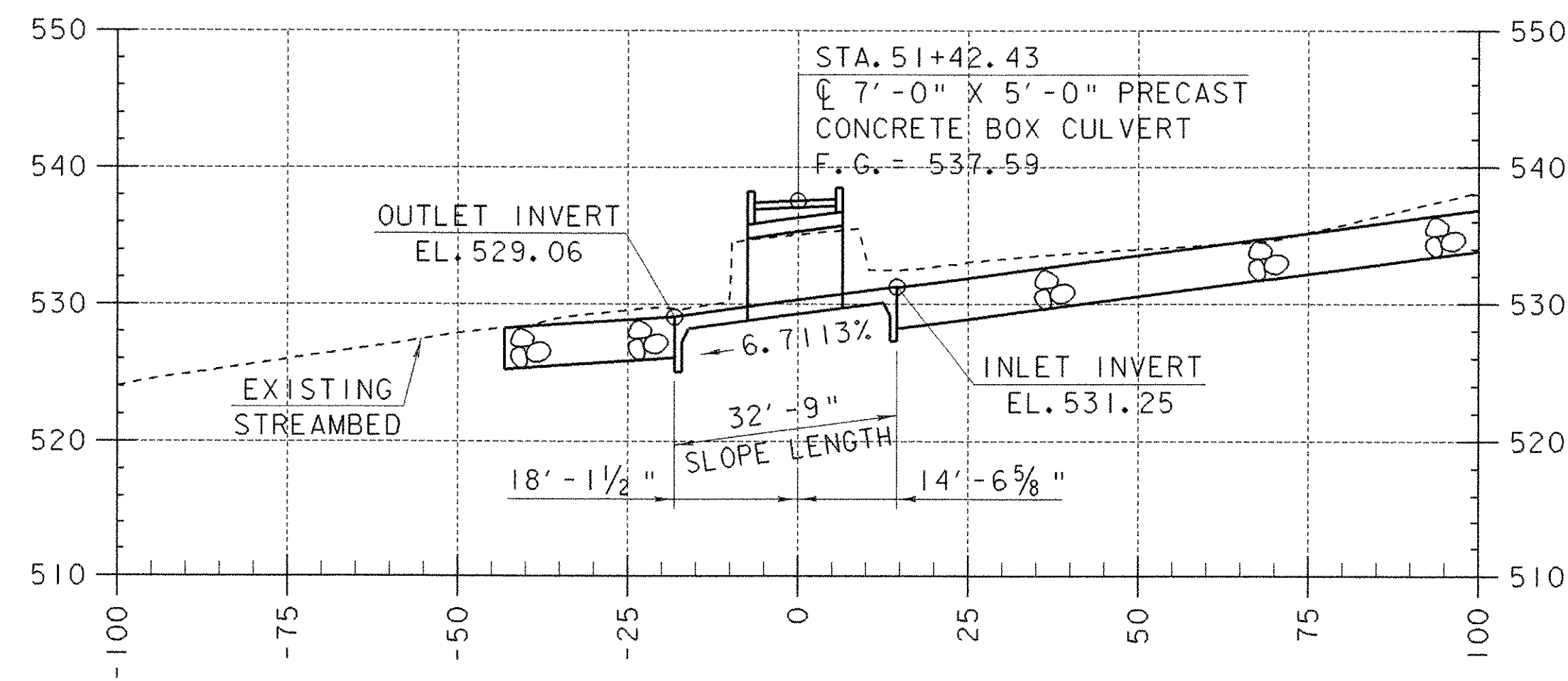


DRIVE PROFILE



NOTE:
 GRADES TO THE NEAREST TENTH ARE
 EXISTING GROUND ALONG CENTERLINE.
 GRADES TO THE NEAREST HUNDREDTH
 ARE FINISH GRADES ALONG CENTERLINE.

CHANNEL PROFILE



STATE OF VERMONT AGENCY OF TRANSPORTATION	
Town Of FAIRFAX-FAIRFIELD-ST. ALBANS	Bridge No. 87-3 N&S
Highway No. 1-89	Log Sta. Surv. Sta.
1-89 OVER THE RUGG BROOK	
DRIVE PROFILE AND CHANNEL PROFILE	
Designed By G.ROY	Drawn By G.ROY
Checked By M.LOZIER Date 06/00	Bridge Design Supervisor R.R.WHITCOMB Date 06/00
PROJECT FAIRFAX-FAIRFIELD-ST. ALBANS	PROJECT NO. 1M 089 - 3 (27)
I.G.C. Info. 96a056\structures\sa056\sa4.dgn	sa056p02.j
Bridge Sheet No. BR308	Sheet 134 of 370