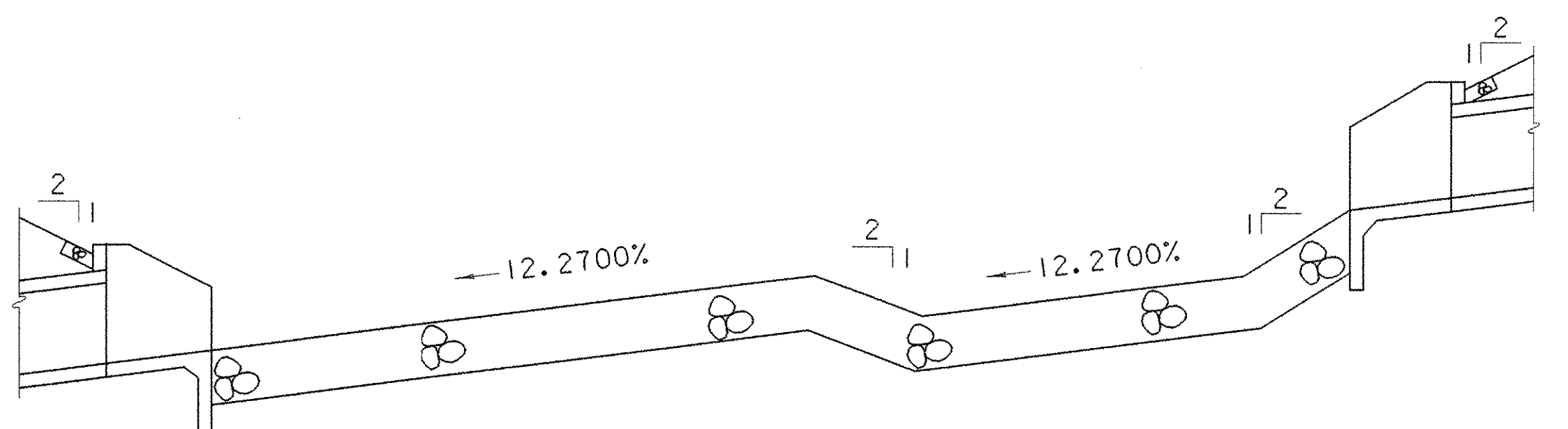


ENERGY DISSIPATER PLAN

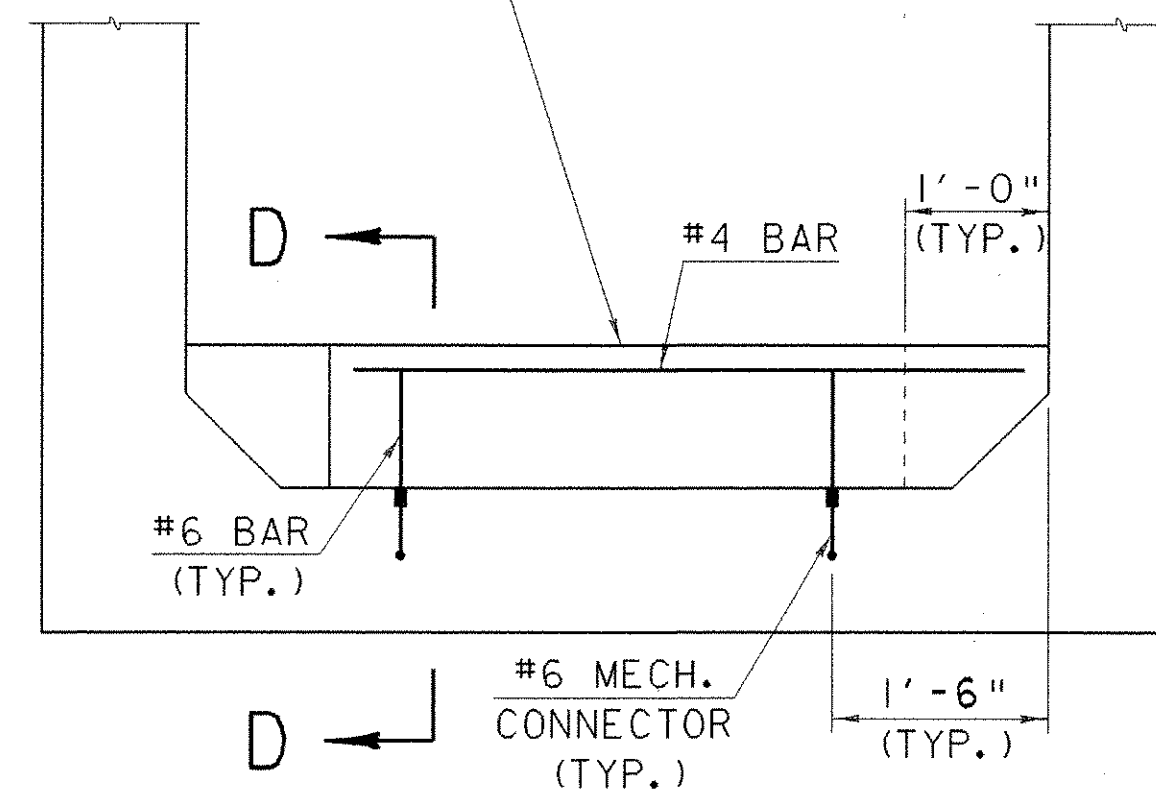
SCALE: 1" = 10'-0"



ENERGY DISSIPATER SECTION ALONG CENTERLINE

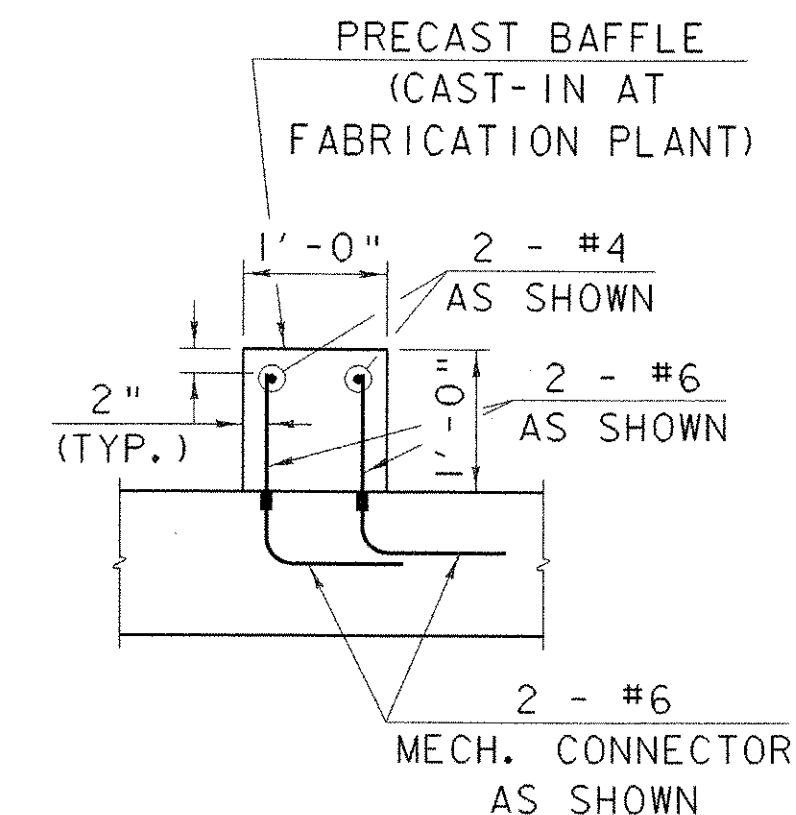
SCALE: 1" = 10'-0"

1'-0" X 1'-0" X 5'-0" PRECAST CONCRETE BAFFLE @ 8'-0" SPACING (TYP.)



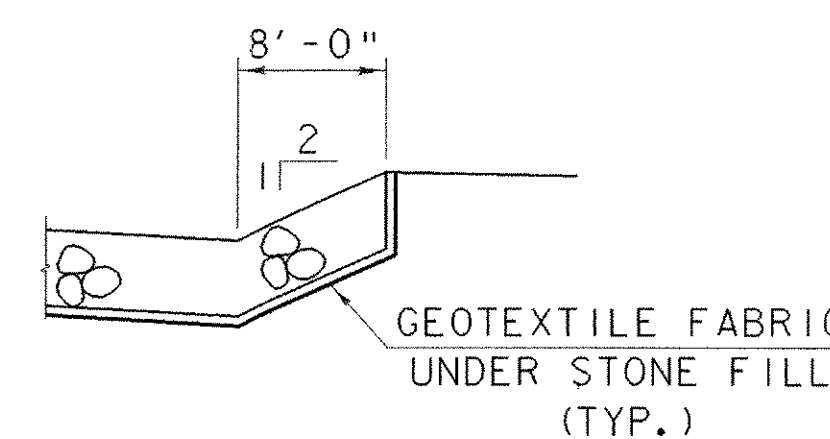
BAFFLE PLACEMENT & ANCHORAGE DETAIL

SCALE: 3/4" = 1'-0"



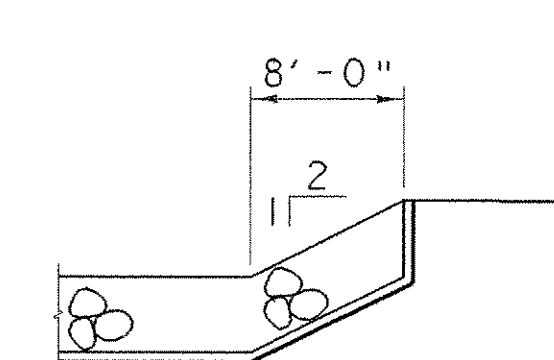
SECTION D-D

SCALE: 3/4" = 1'-0"



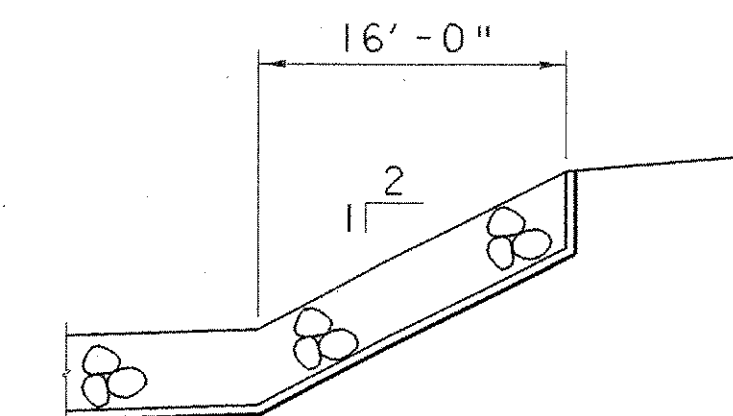
SECTION A-A

SCALE: 1" = 10'-0"



SECTION B-B

SCALE: 1" = 10'-0"

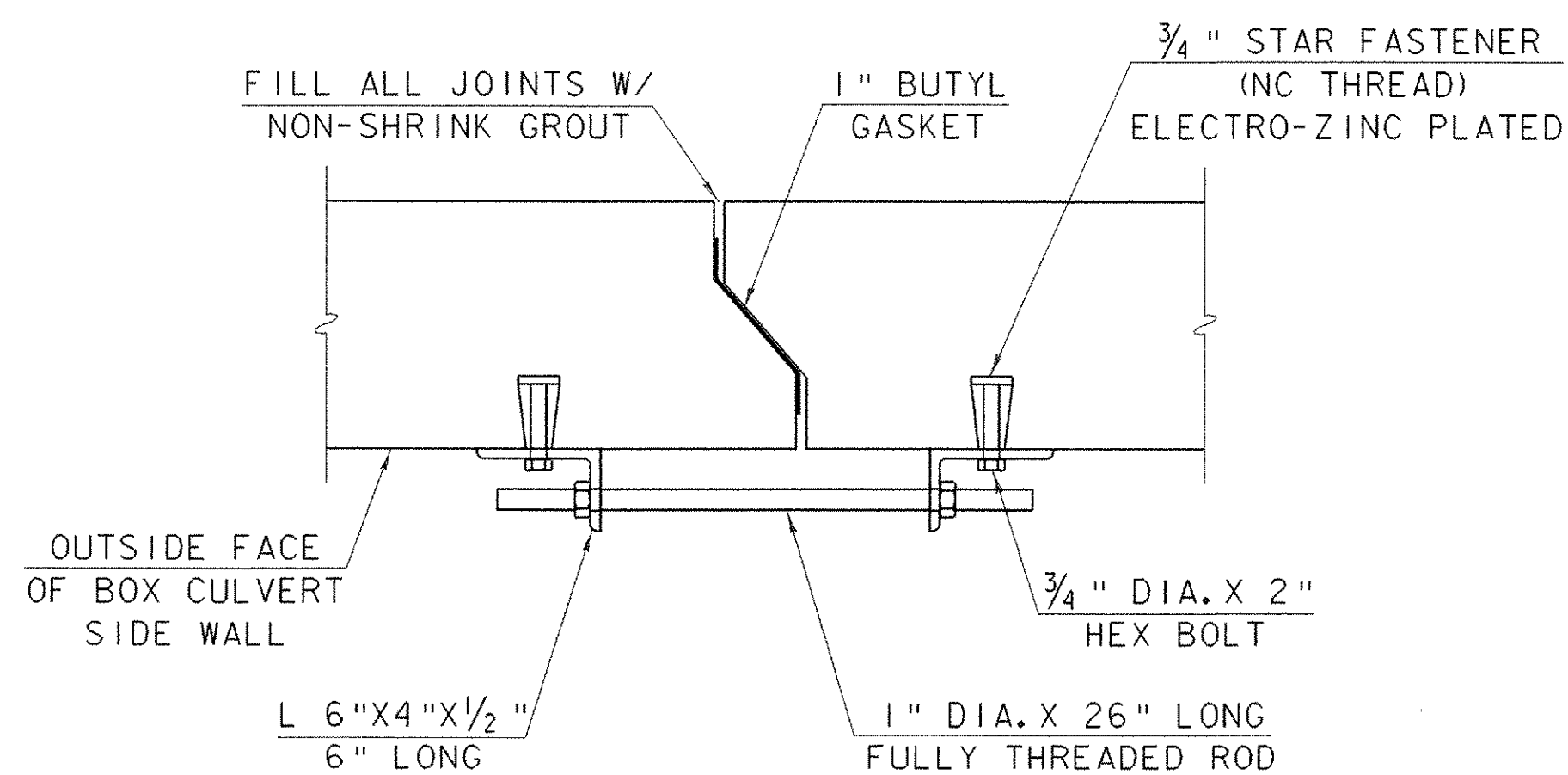


SECTION C-C

SCALE: 1" = 10'-0"

NOTES:

1. CONSTRUCT ENERGY DISSIPATER AT OUTLET OF BR 87-3S SIMILAR TO DETAILS SHOWN ON THIS SHEET.
2. ALTERNATE BAFFLE PLACEMENT & ANCHORAGE AND PERMANENT CLOSURE DETAILS MAY BE SUBMITTED TO THE STRUCTURES ENGINEER FOR APPROVAL.
3. ALL BOLTS AND RELATED HARDWARE SHALL BE ASTM A-307 AND SHALL BE GALVANIZED IN ACCORDANCE WITH ASTM A-153 (AASHTO M232).



PERMANENT CLOSURE DETAIL

SCALE: 1/2" = 1'-0"

STATE OF VERMONT AGENCY OF TRANSPORTATION

Town Of FAIRFAX-FAIRFIELD-ST. ALBANS	Bridge No. 87-3 N&S
Highway No. 1-89	Log Sta. Surv. Sta.
1-89 OVER THE RUGG BROOK	
87-3 N&S ENERGY DISSIPATER & BAFFLE DETAILS	
Designed By G.ROY	Drawn By G.ROY
Checked By M.LOZIER	Bridge Design Supervisor R.R.WHITCOMB
Date 06/00	Date 06/00
PROJECT FAIRFAX-FAIRFIELD-ST. ALBANS	PROJECT NO. 1M 089 - 3 (27)
I.G.C. Info. 96a056/structures/so056pl5.dgn	so056dls1
Bridge Sheet No. BR302	Sheet 128 of 370