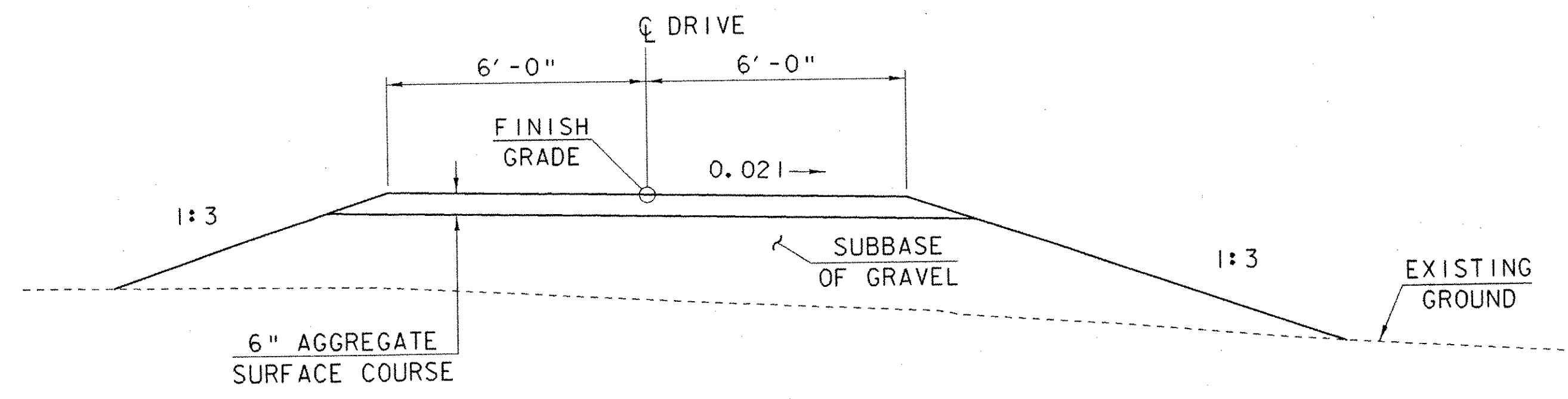
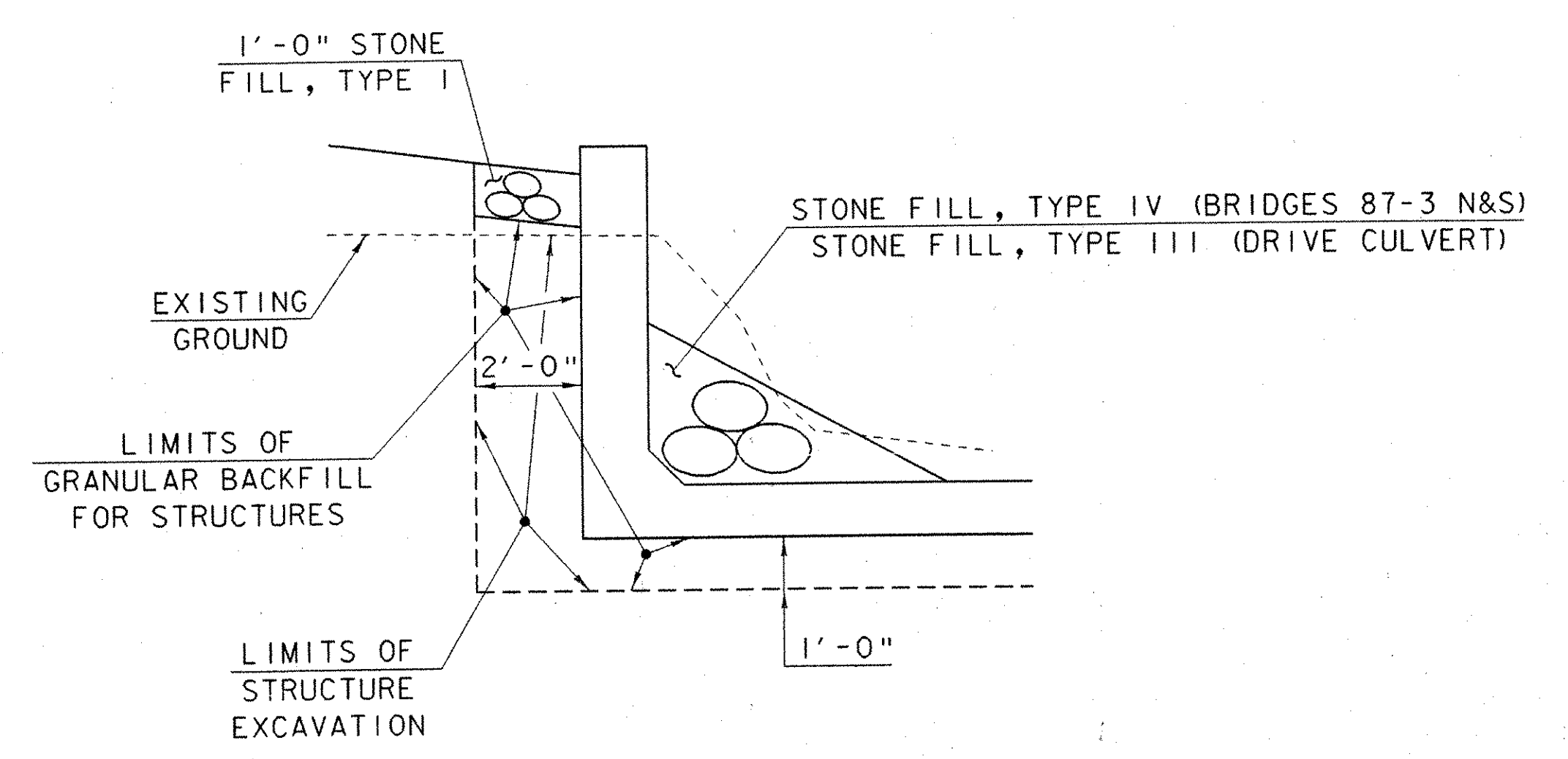


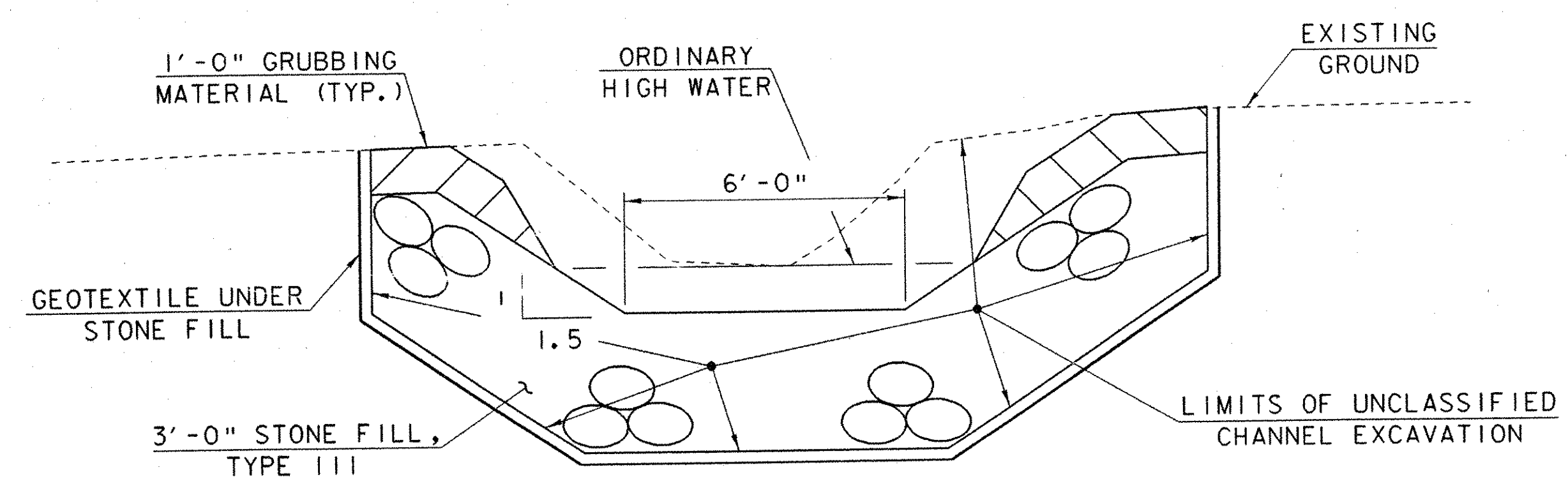
DRIVE REINFORCED CONCRETE BOX EARTHWORK TYPICAL
SCALE: 3/8" = 1'-0"



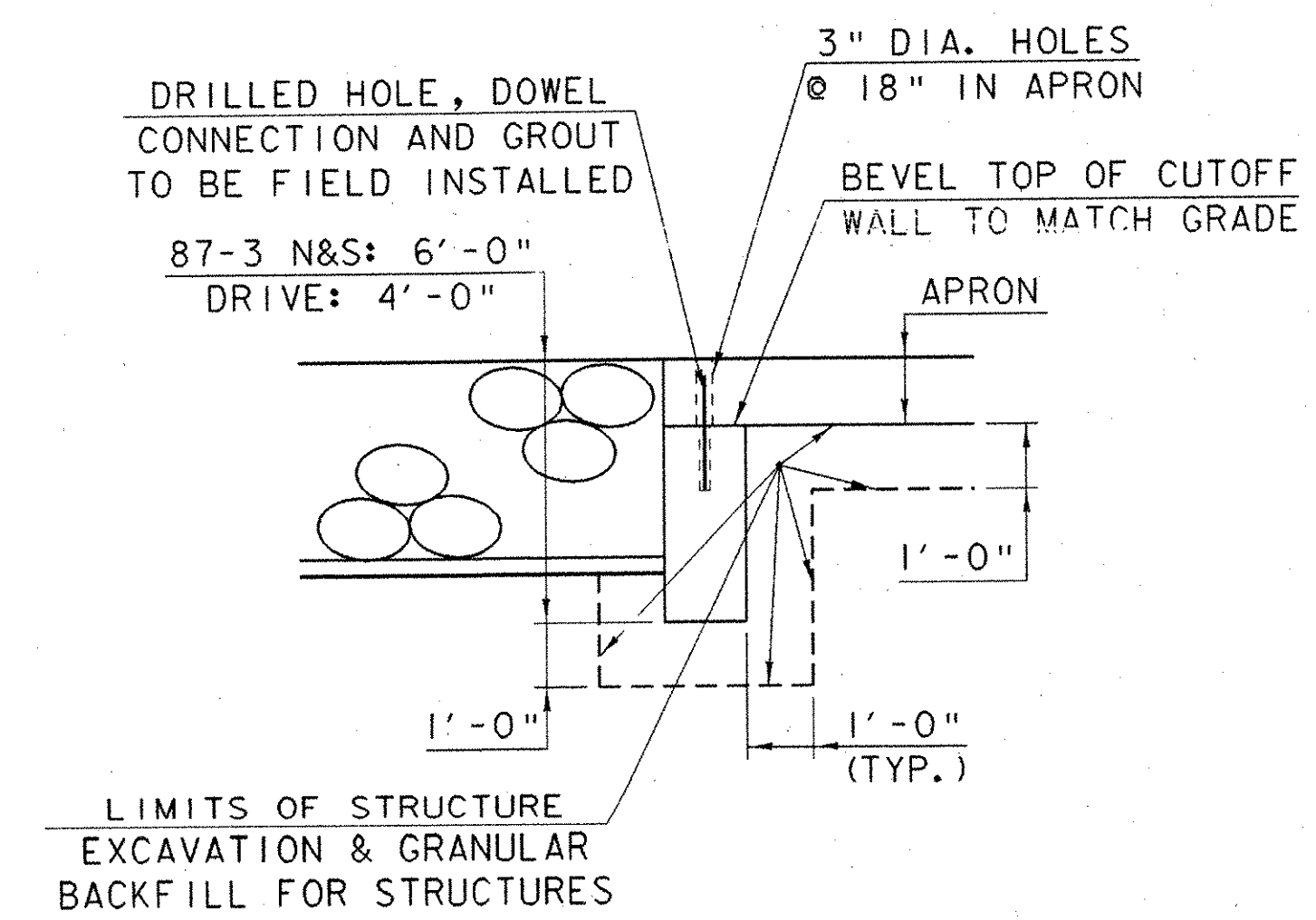
DRIVE TYPICAL SECTION
SCALE: 3/8" = 1'-0"



WINGWALL TYPICAL SECTION
SCALE: 3/8" = 1'-0"



CHANNEL TYPICAL SECTION FOR DRIVE BOX CULVERT AND INLET TO BR 87-3 NORTHBOUND BOX CULVERT
SCALE: 3/8" = 1'-0"



CUTOFF WALL DETAIL
NOT TO SCALE

IMPORTANT NOTE: BRIDGE FINISHED GRADES ARE CENTERLINE GRADES.

STATE OF VERMONT AGENCY OF TRANSPORTATION			
Town of FAIRFAX-FAIRFIELD-ST. ALBANS	Bridge No. 87-3 N&S		
Highway No. 1-89	Log Sta. 1-89		
87-3 N&S OVER THE RUGG BROOK			
87-3 N&S EARTHWORK TYPICALS			
Designed By G.ROY	Date 06/00	Drawn By G.ROY	Date 06/00
Checked By M.LOZIER	Date 06/00	Bridge Design Supervisor R.R.WHITCOMB	Date 06/00
PROJECT FAIRFAX-FAIRFIELD-ST. ALBANS		PROJECT NO. 1M 089 - 3 (27)	
I.G.C. Info. 96a056structures\sa056pl5.dgn		sd056bx6j	
Bridge Sheet No. BR301	Sheet 127 of 370		