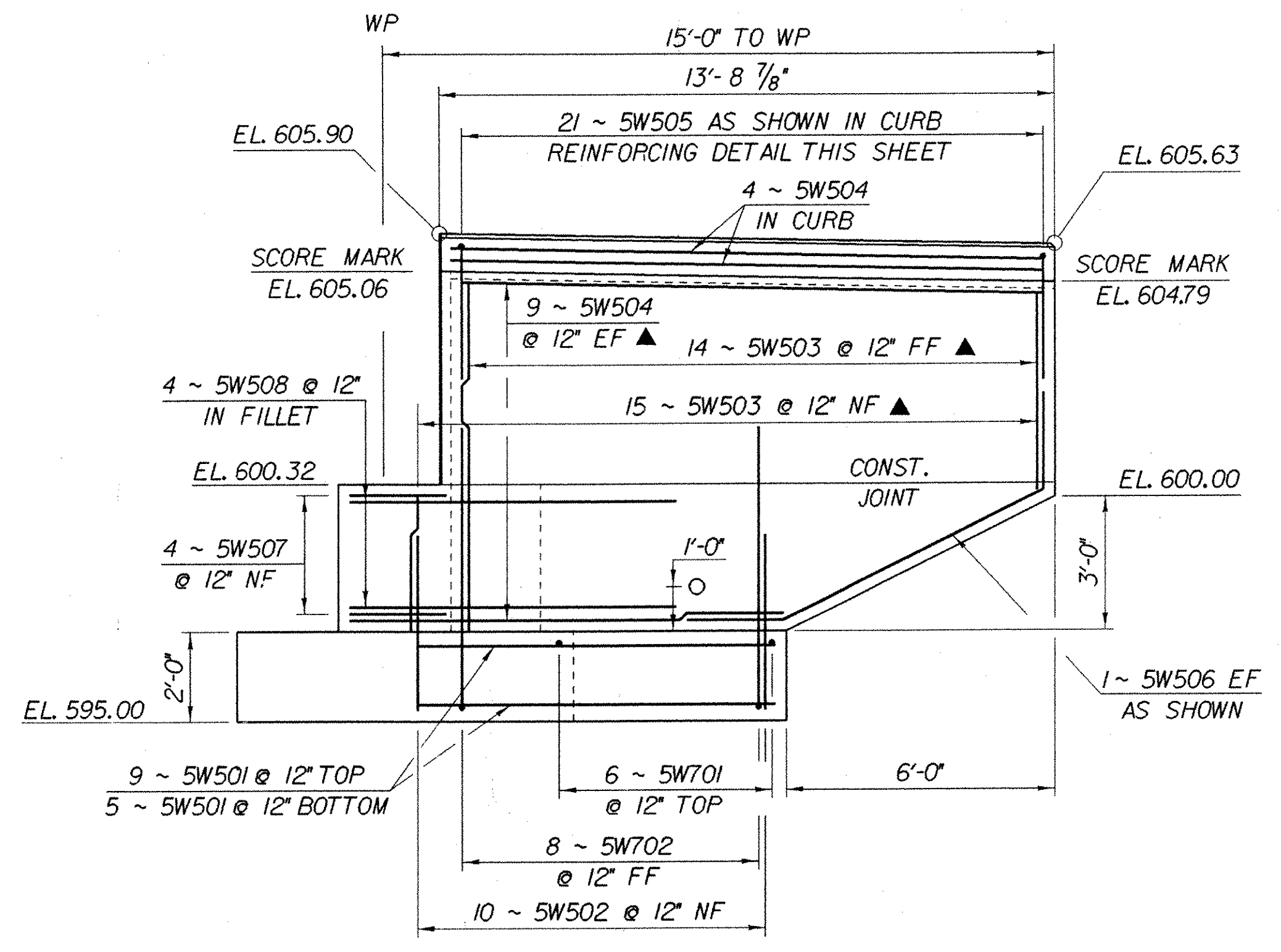
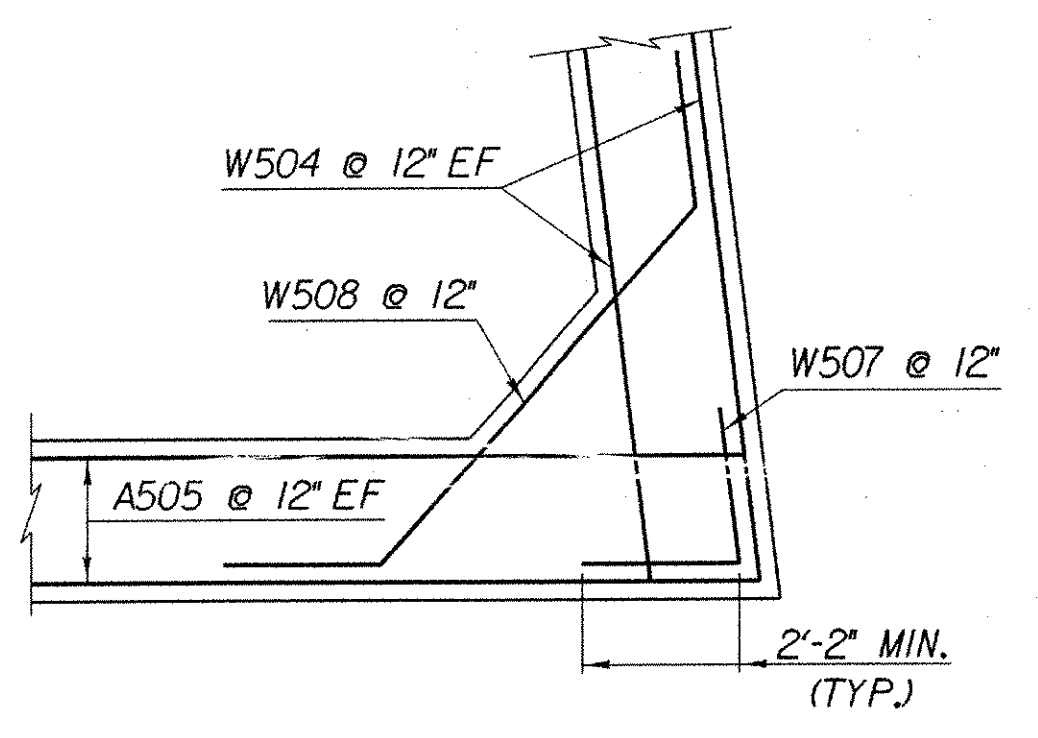


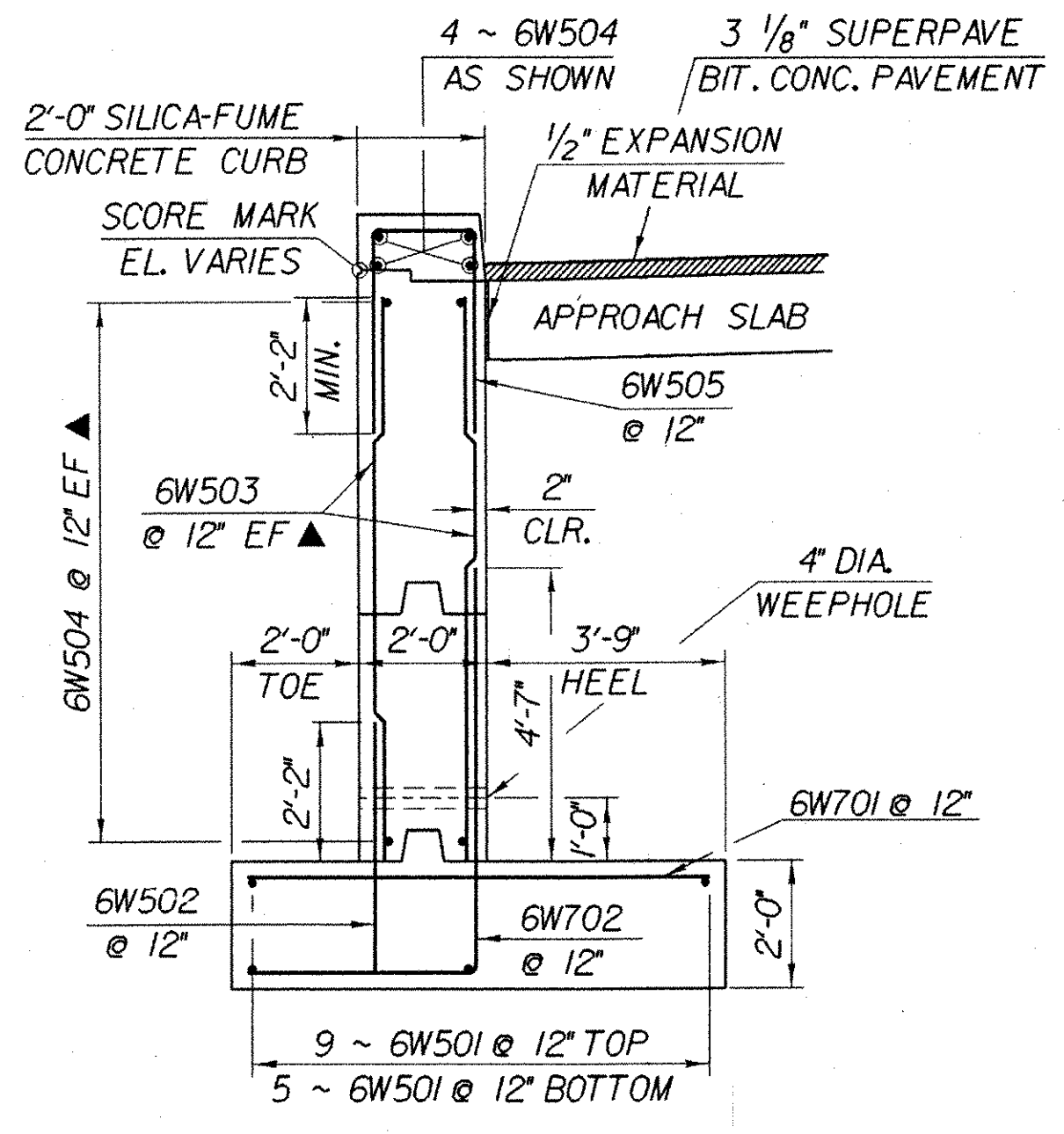
WINGWALL NO. 6
SCALE: 3/8" = 1'-0"



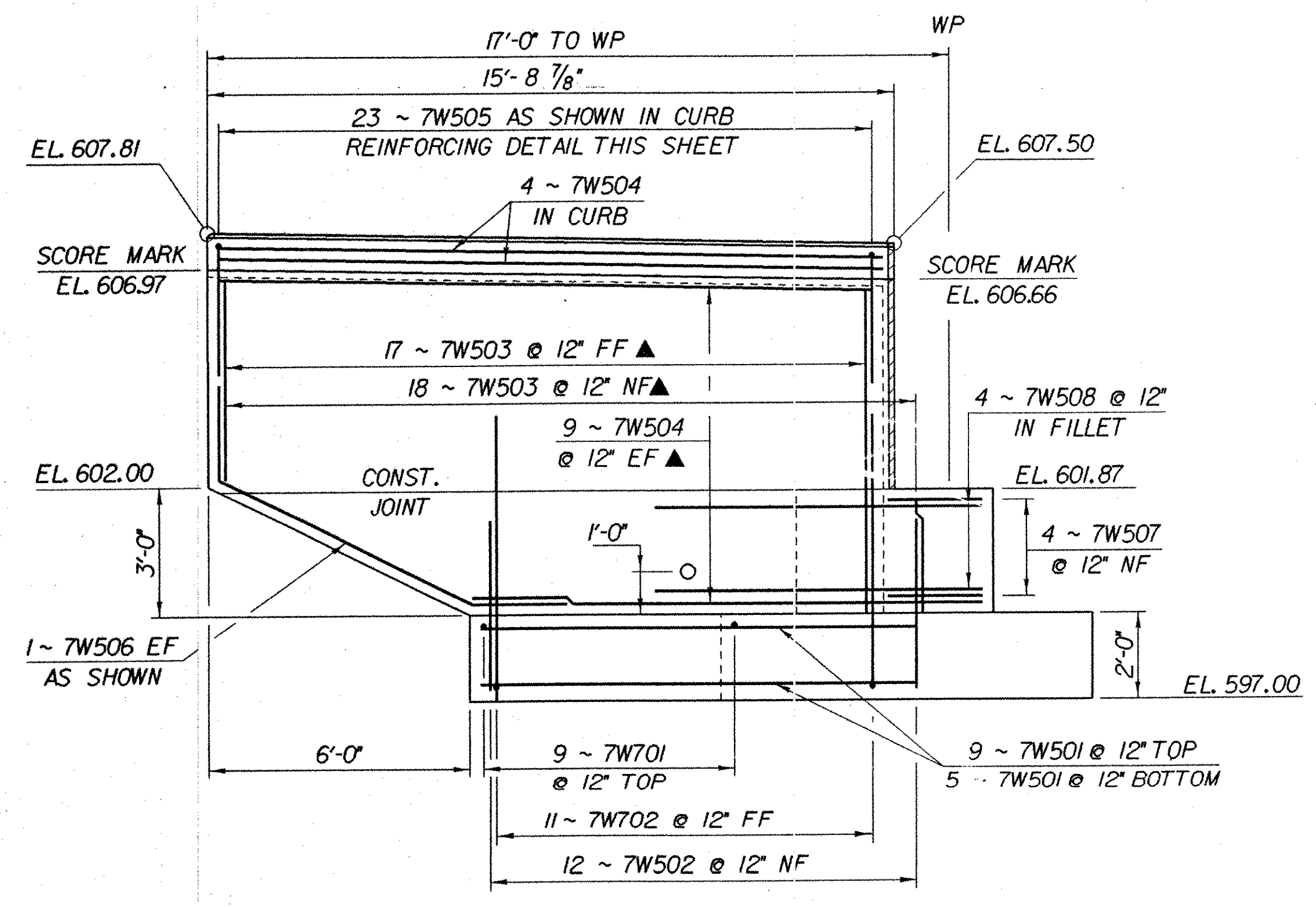
WINGWALL NO. 5
SCALE: 3/8" = 1'-0"



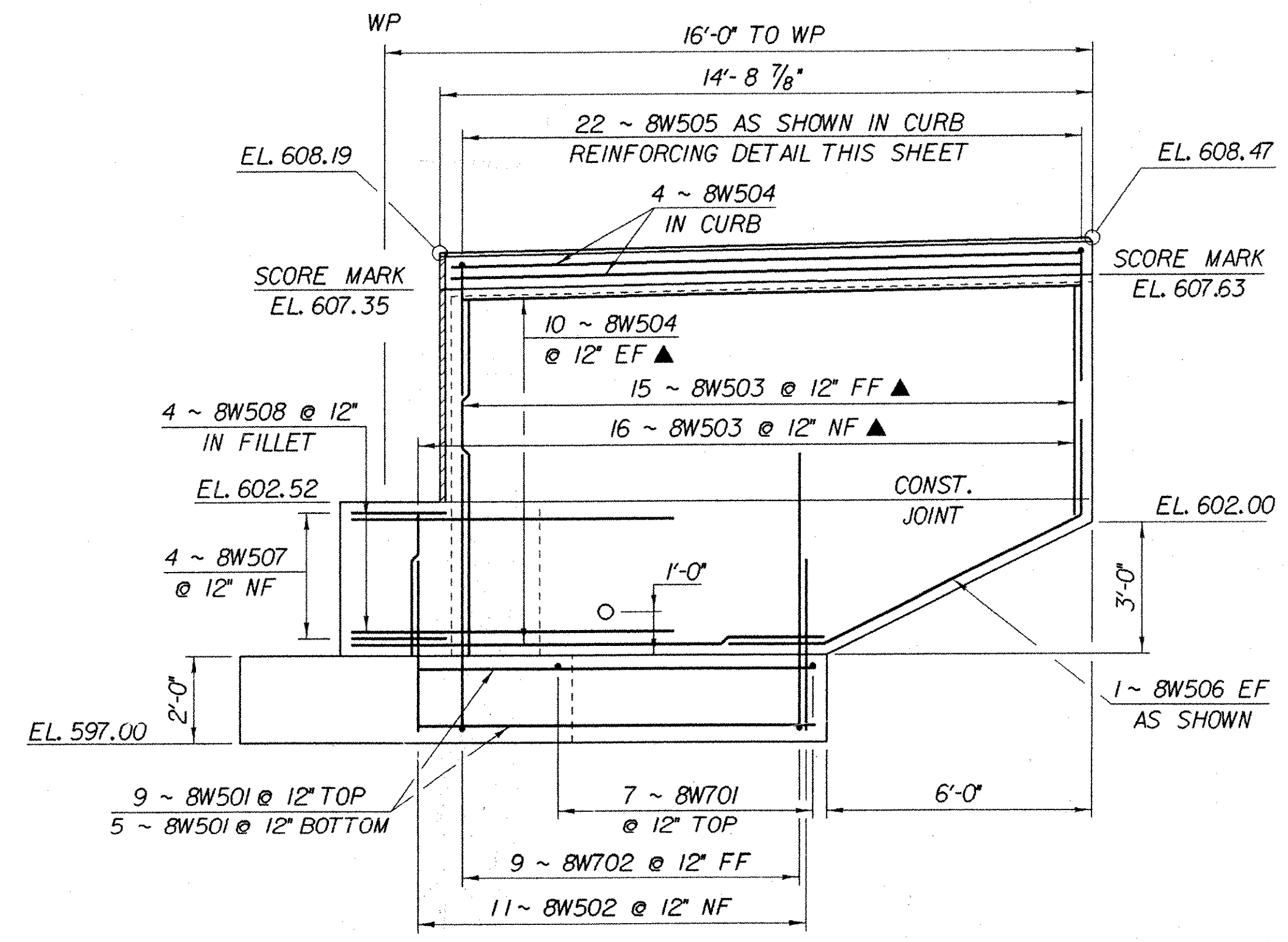
**WINGWALL CORNER DETAIL
BELOW BRIDGE SEAT**
SCALE: 3/8" = 1'-0"



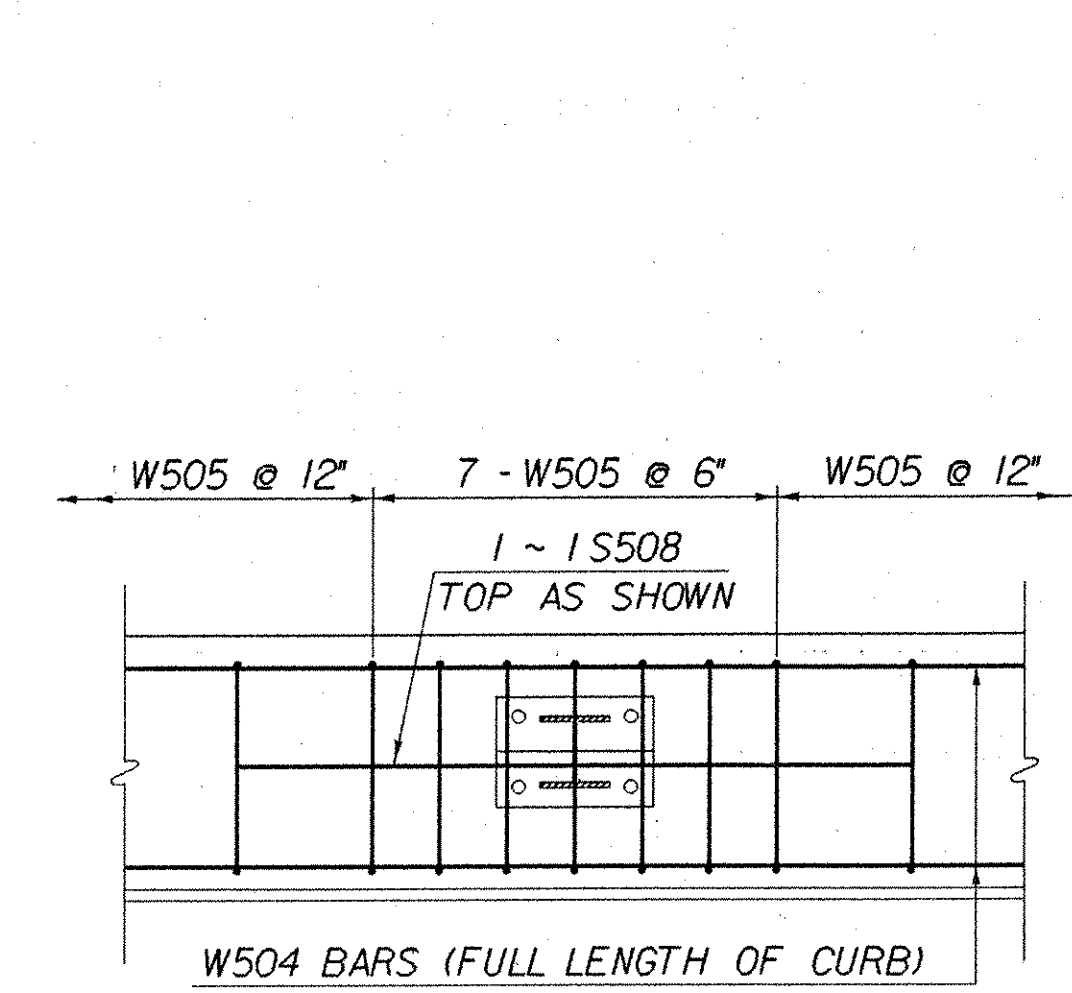
**WINGWALL NO. 6 TYPICAL
SECTION A-A**
SCALE: 3/8" = 1'-0"
(WINGWALLS 5, 7 & 8 SIMILAR)



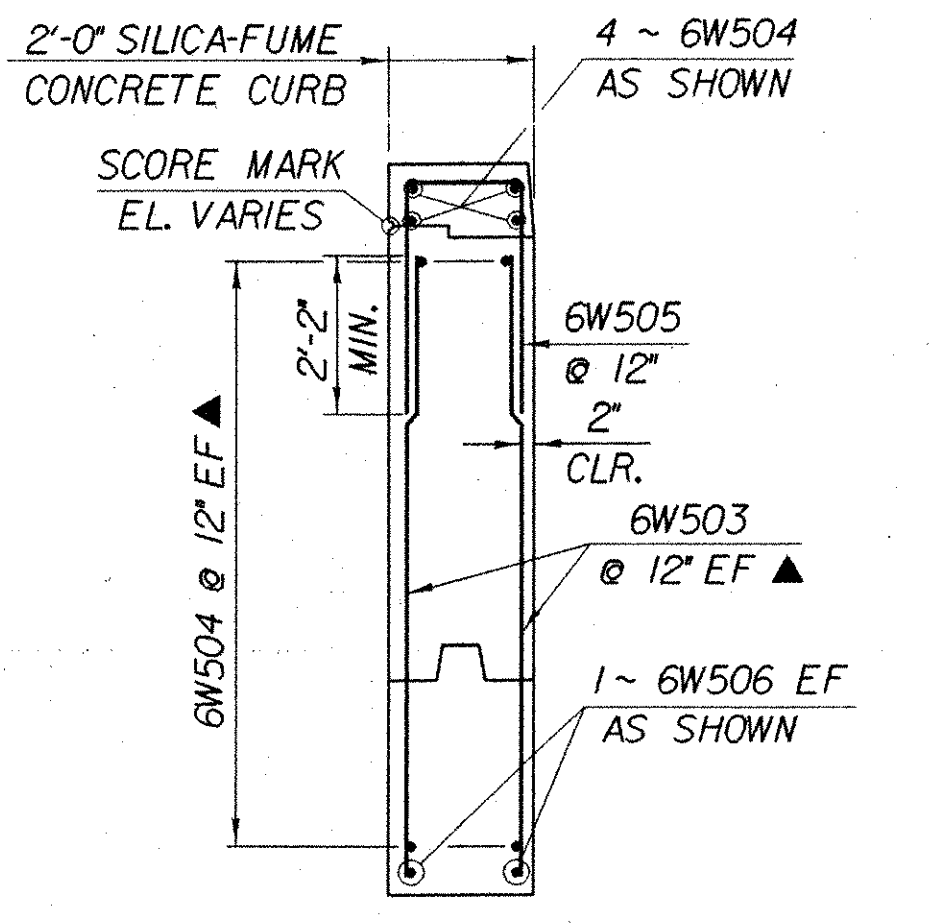
WINGWALL NO. 7
SCALE: 3/8" = 1'-0"



WINGWALL NO. 8
SCALE: 3/8" = 1'-0"



CURB REINFORCING DETAIL
NTS



**WINGWALL NO. 6 TYPICAL
SECTION B-B**
SCALE: 3/8" = 1'-0"
(WINGWALLS 5, 7 & 8 SIMILAR)

**IMPORTANT NOTE: BRIDGE FINISHED GRADES
ARE CENTERLINE GRADES.**

NOTE:
NF = NEAR FACE
FF = FAR FACE
EF = EACH FACE
▲ = CUT TO FIT IN FIELD
3" CLR. UNLESS OTHERWISE
SPECIFIED ON THE PLANS.

STATE OF VERMONT AGENCY OF TRANSPORTATION			
Town Of FAIRFAX-FAIRFIELD-ST. ALBANS	Bridge No. 87N		
Highway No. 1-89	Log Sta. 1-89		
1-89 OVER VT 104			
WINGWALL NOS. 5 - 8 ELEVATIONS			
Designed By M. LOZIER	Date 10/99	Drawn By K. CHISHOLM	Date 11/99
Checked By G. ROY	Date 10/99	Bridge Design Supervisor R. R. WHITCOMB	Date 11/99
PROJECT FAIRFAX-FAIRFIELD-ST. ALBANS		PROJECT NO. 1M 089 - 3 (27)	
I.G.C. Info. 94\106\Structures\106abdgn		sd056ww2j	
Bridge Sheet No. BR227		Sheet 105 of 370	