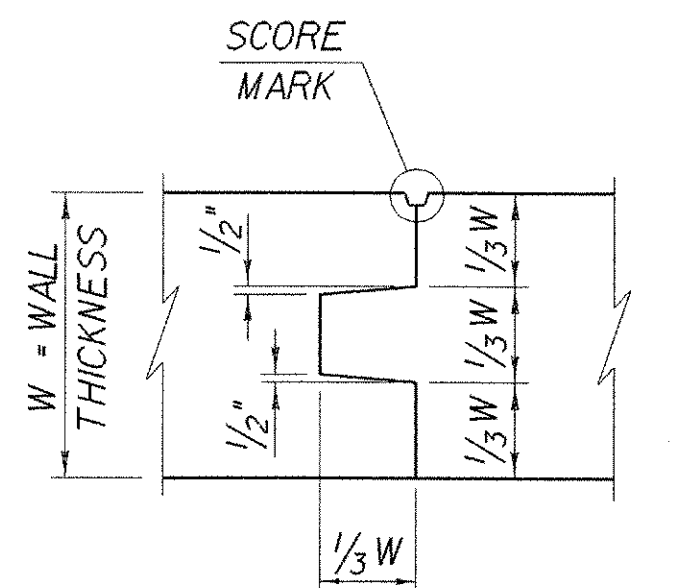
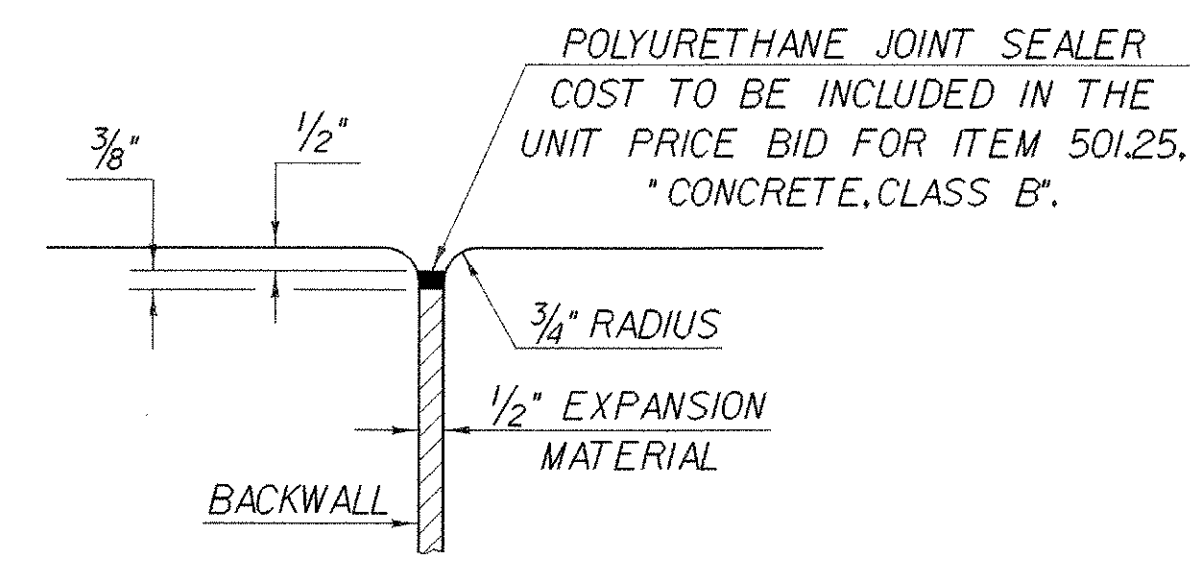


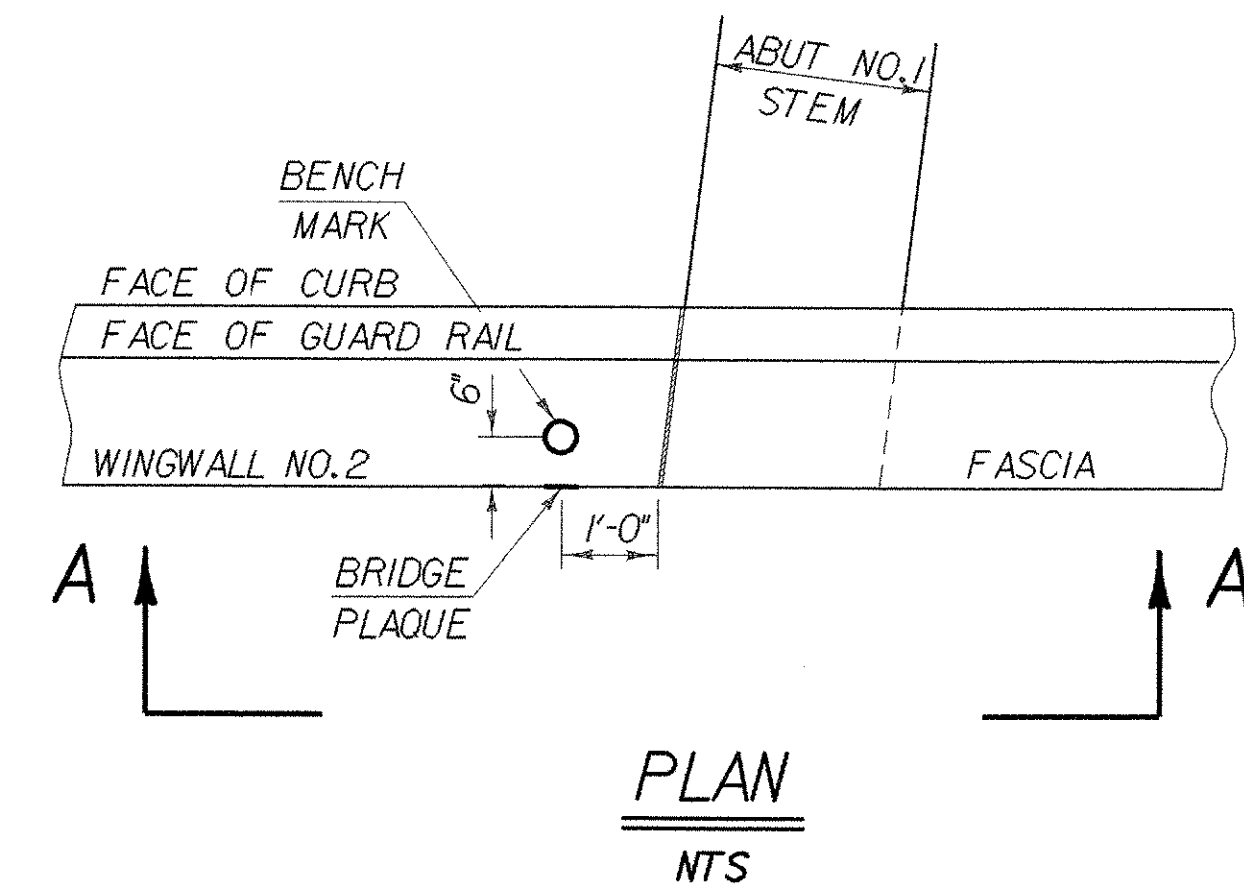
CURB AND RAIL DETAIL
SCALE: 1" = 1'-0"



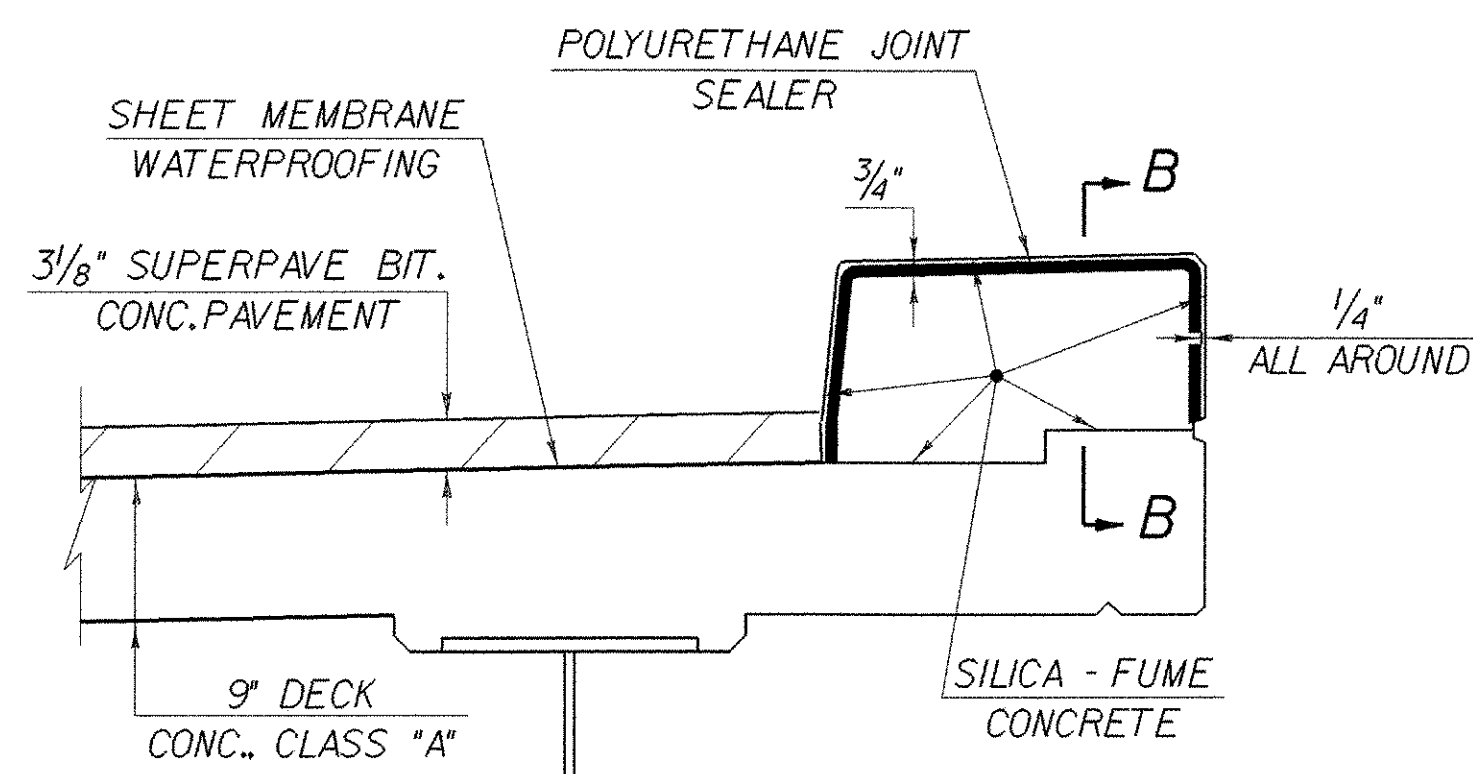
TYPICAL CONCRETE CONSTRUCTION JOINT
NTS



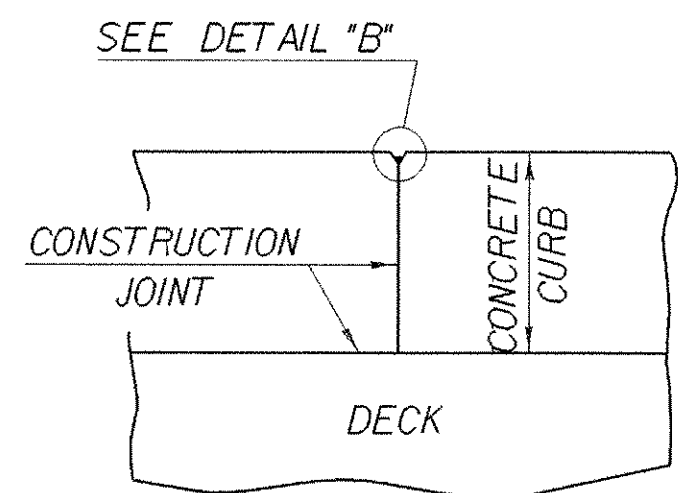
JOINT BETWEEN BACKWALL AND WINGWALL
NTS



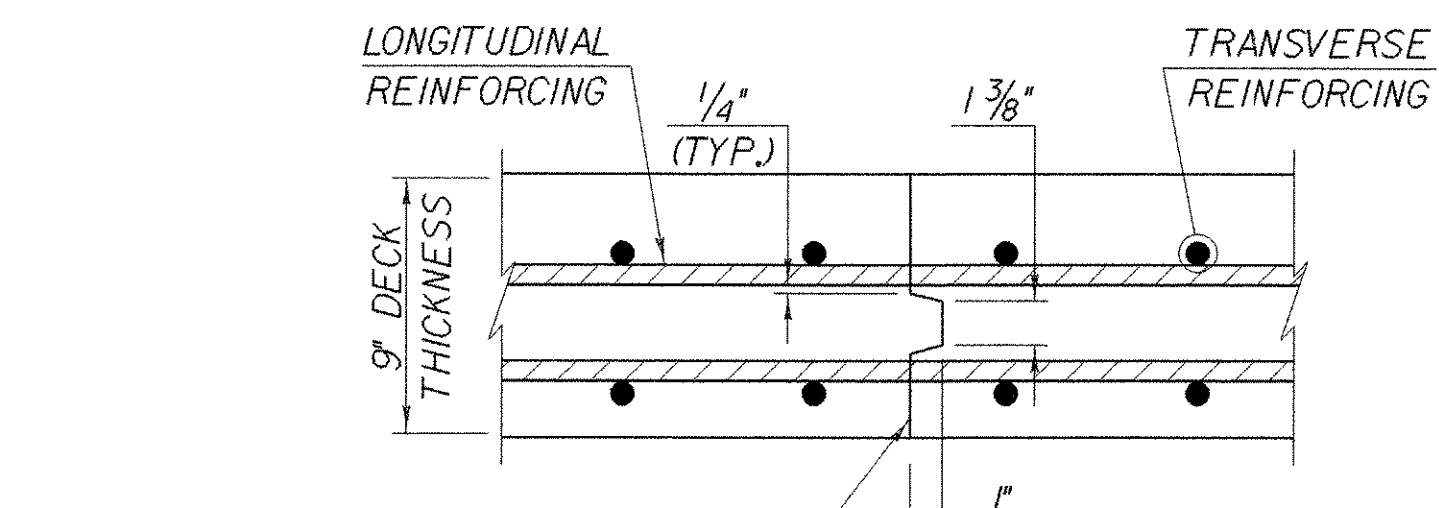
PLAN
NTS



TYPICAL SECTION THROUGH CONCRETE CURB CONSTRUCTION JOINT
NTS

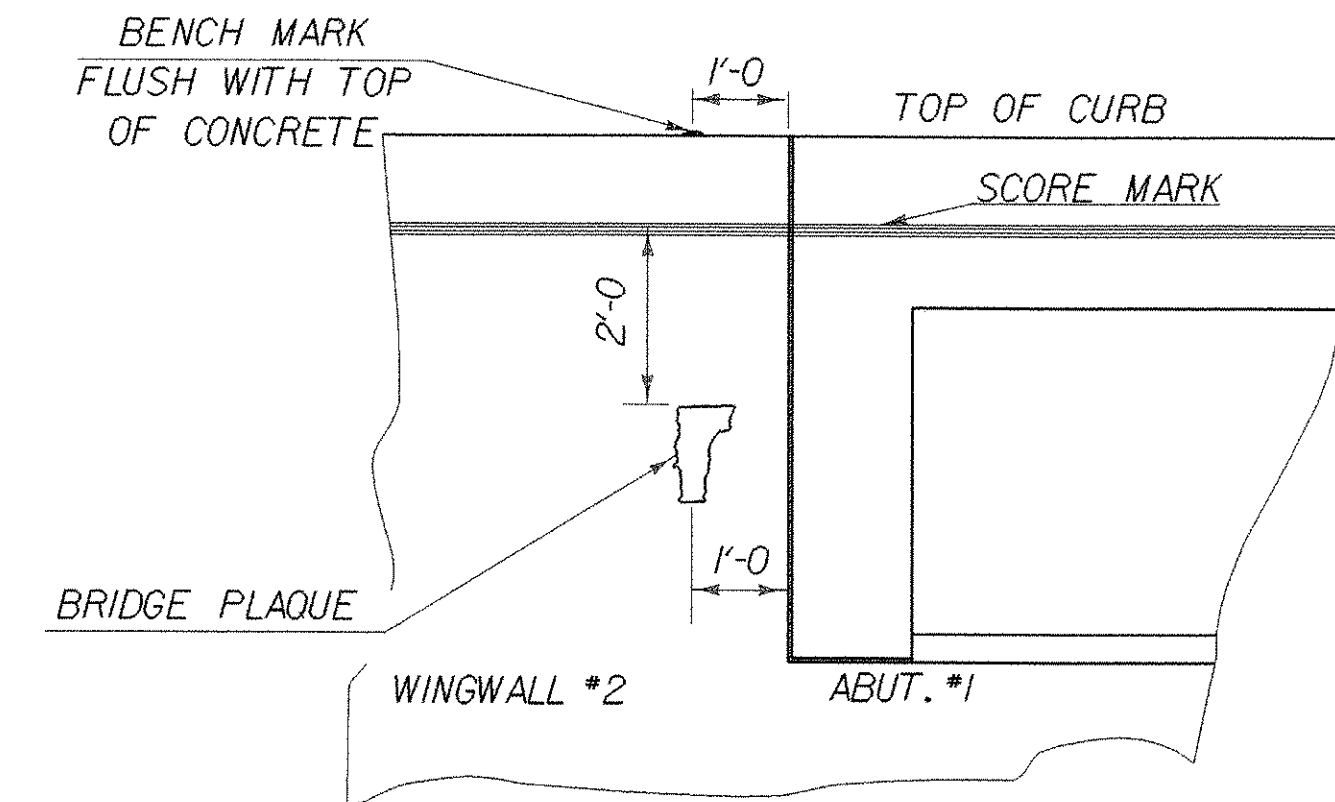


SECTION B - B
NTS



APPLY EPOXY BONDING COMPOUND OR NEAT CEMENT PASTE BEFORE PLACING NEW CONCRETE. COST TO BE INCLUDED IN THE UNIT PRICE BID FOR ITEM 501.22, "CONCRETE, CLASS A".

TRANSVERSE BRIDGE DECK CONSTRUCTION JOINT DETAILS
NTS



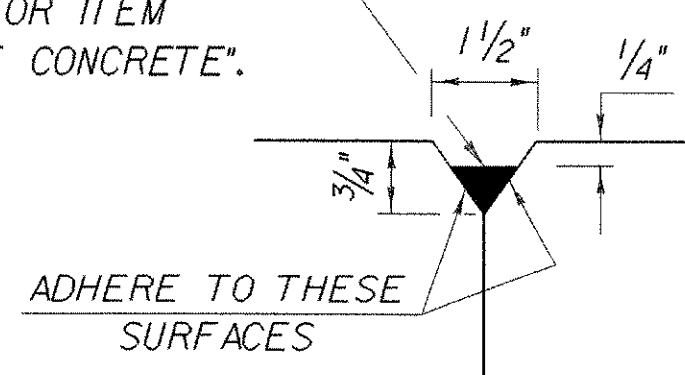
VIEW "A - A"
LOCATE BENCH MARK AND BRIDGE PLAQUE
NTS

THE BENCH MARK AND BRIDGE PLAQUE WILL BE SUPPLIED BY THE AGENCY OF TRANSPORTATION AND SHALL BE INSTALLED BY THE CONTRACTOR AT ABUTMENT NO.1 ON THE RIGHT SIDE AS SHOWN OR AS DIRECTED BY THE ENGINEER.

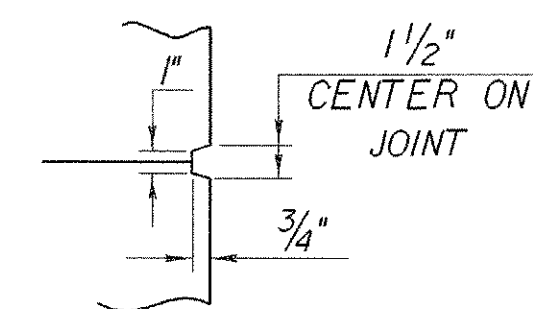
NOTES

1. SHEET MEMBRANE WATERPROOFING SHALL EXTEND TO FACE OF CURB AS SHOWN ABOVE IN TYPICAL SECTION THROUGH CONCRETE CURB CONSTRUCTION JOINT.
2. CONSTRUCTION JOINTS THROUGH CONCRETE CURBS SHALL BE SPACED A MAXIMUM OF 15'-0" CENTER TO CENTER AND SHALL BE 1'-6" MINIMUM FROM THE CENTER OF THE NEAREST BRIDGE RAIL POST. CONCRETE SHALL BE PLACED IN ALTERNATE SECTIONS WITH A MINIMUM OF 48 HOURS DELAY BETWEEN ADJACENT POURS.
3. LONGITUDINAL REINFORCING SHALL PASS THROUGH CONCRETE CONSTRUCTION JOINTS. CURB REINFORCING STIRRUP BARS SHALL BE TURNED AS REQUIRED TO FIT FLARED ENDS.

POLYURETHANE JOINT SEALER PER SUBSECTION 524.06C, COLOR TO MATCH CONCRETE. COST TO BE INCLUDED IN THE UNIT PRICE BID FOR ITEM 501.60, "SILICA-FUME CONCRETE".



DETAIL "B"
NTS



SCORE MARK DETAIL
NTS

STATE OF VERMONT AGENCY OF TRANSPORTATION

Town of FAIRFAX-FAIRFIELD- ST. ALBANS	Bridge No. 87 N&S
Highway No. I-89	Log Sta. 1-89 OVER VT 104
CURB AND RAIL DETAILS	
Designed By MLOZIER	Drawn By KCHISHOLM
Checked By GROY	Bridge Design Supervisor R.R. WHITCOMB
Date 10/99	Date 11/99
PROJECT FAIRFAX-FAIRFIELD- ST. ALBANS	PROJECT NO. 1M 089 - 3 (27)
I.G.C. Info. 96a056Structures\sa056sp2.dgn	sa056cbj
Bridge Sheet No. BR215	Sheet 93 of 370