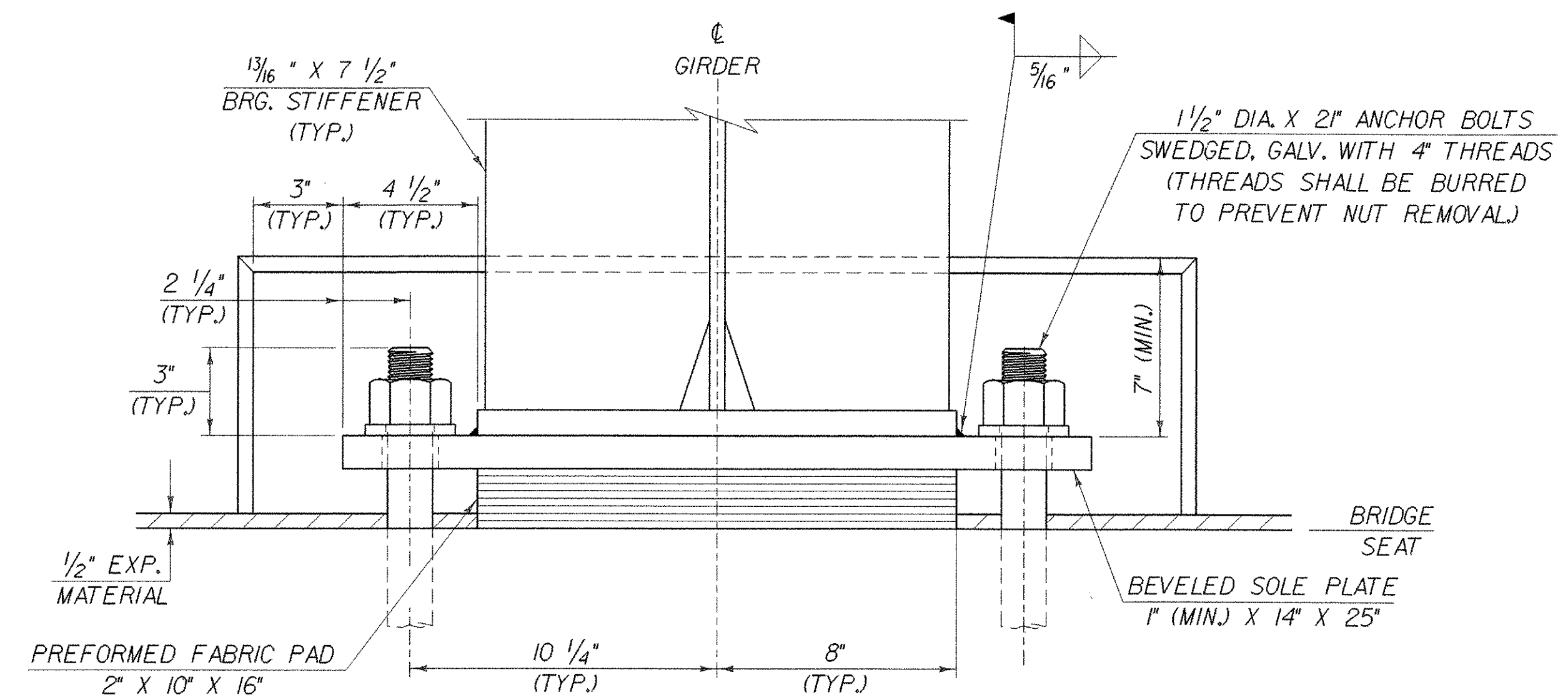
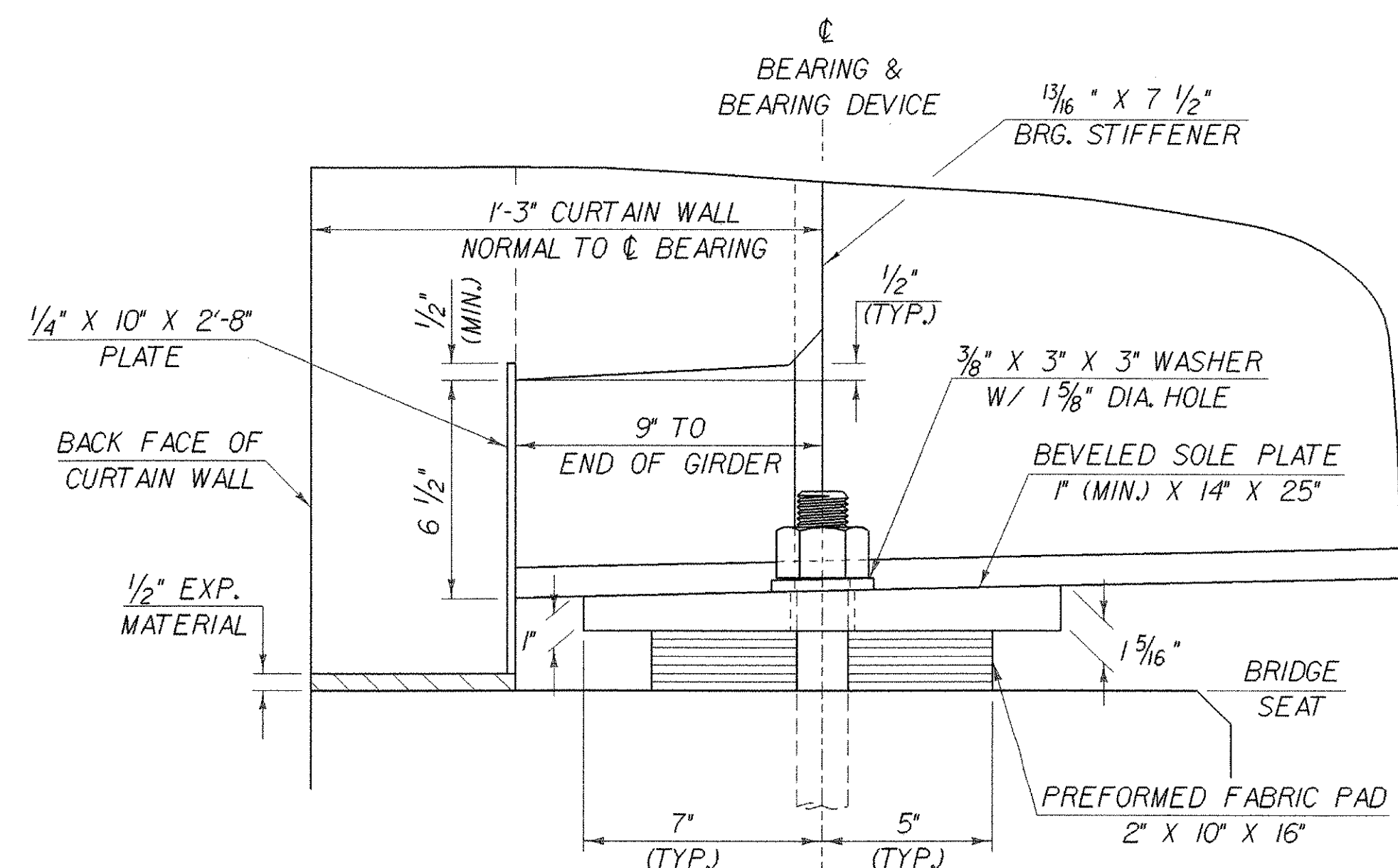


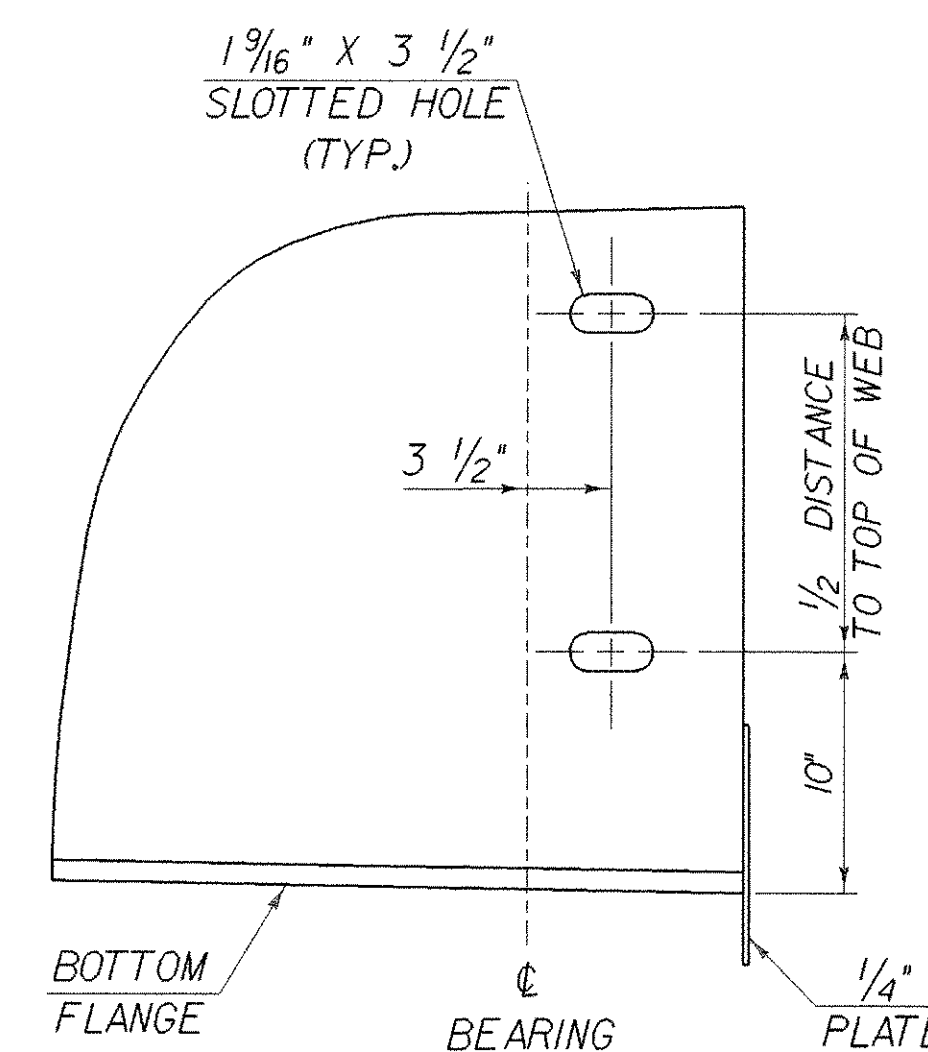
**PLAN VIEW**  
SCALE: 3" = 1'-0"



**FRONT VIEW**  
SCALE: 3" = 1'-0"



**SIDE ELEVATION**  
SCALE: 3" = 1'-0"



**ELEVATION VIEW END OF STEEL MEMBER AT ABUTMENT**  
SCALE: 1 1/2" = 1'-0"

SLOTTED HOLES ARE FOR HORIZONTAL REINFORCING BARS IN FRONT FACE OF CURTAIN WALL.

NOTE:  
SEE SHEET BR212 FOR ADDITIONAL BEARING NOTES.

**STATE OF VERMONT  
AGENCY OF TRANSPORTATION**

Town Of <b>FAIRFAX-FAIRFIELD-ST. ALBANS</b>	Bridge No. 87 N & S
Highway No. 1-89	Log Sta. Surv. Sta.
<b>1-89 OVER VT 104</b>	
<b>FIXED BEARING DETAILS ABUT. NOS. 1 &amp; 3</b>	
Designed By M. LOZIER	Drawn By K. CHISHOLM
Checked By G. ROY	Bridge Design Supervisor R. R. WHITCOMB
Date 10 / 99	Date 11 / 99
PROJECT <b>FAIRFAX-FAIRFIELD-ST. ALBANS</b>	PROJECT NO. <b>1 M 089 - 3 (27)</b>
I.G.C. Info. 941106Structures's1106fr.dgn	sa056fr.r1j
Bridge Sheet No. BR211	Sheet 89 of 370