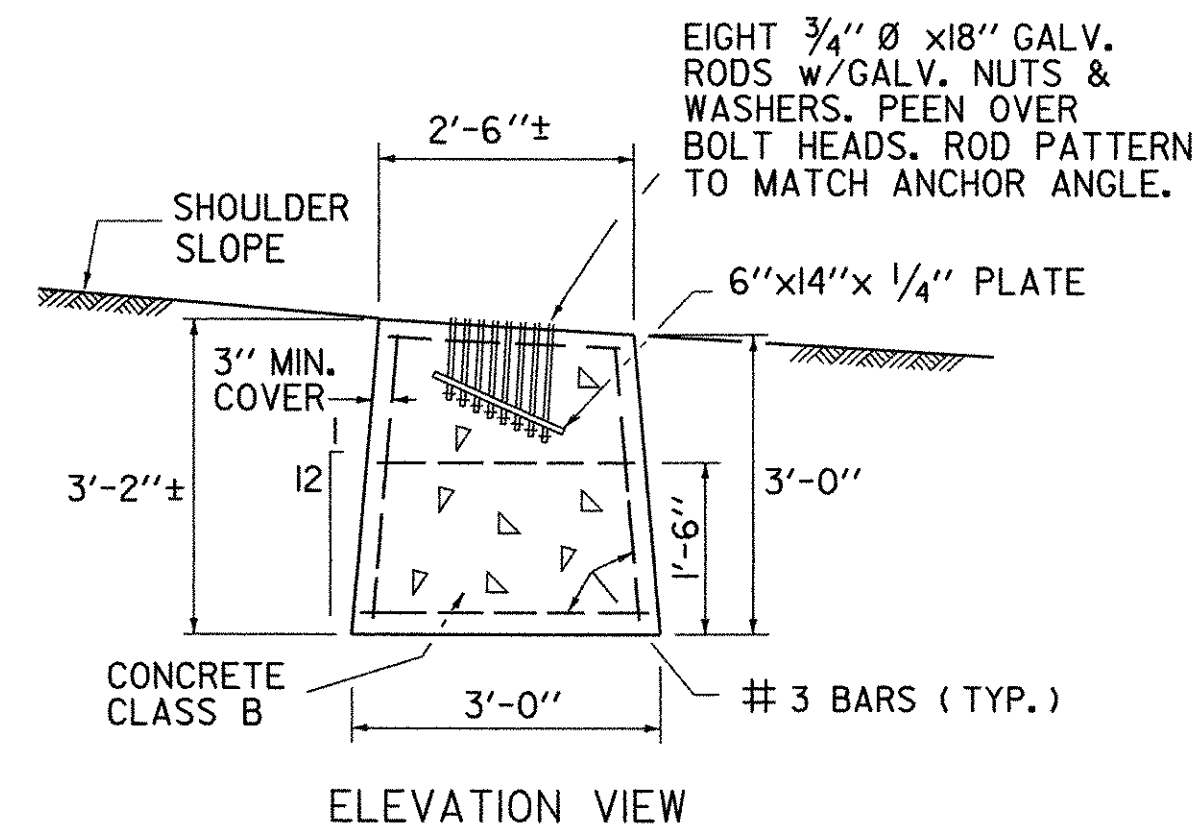


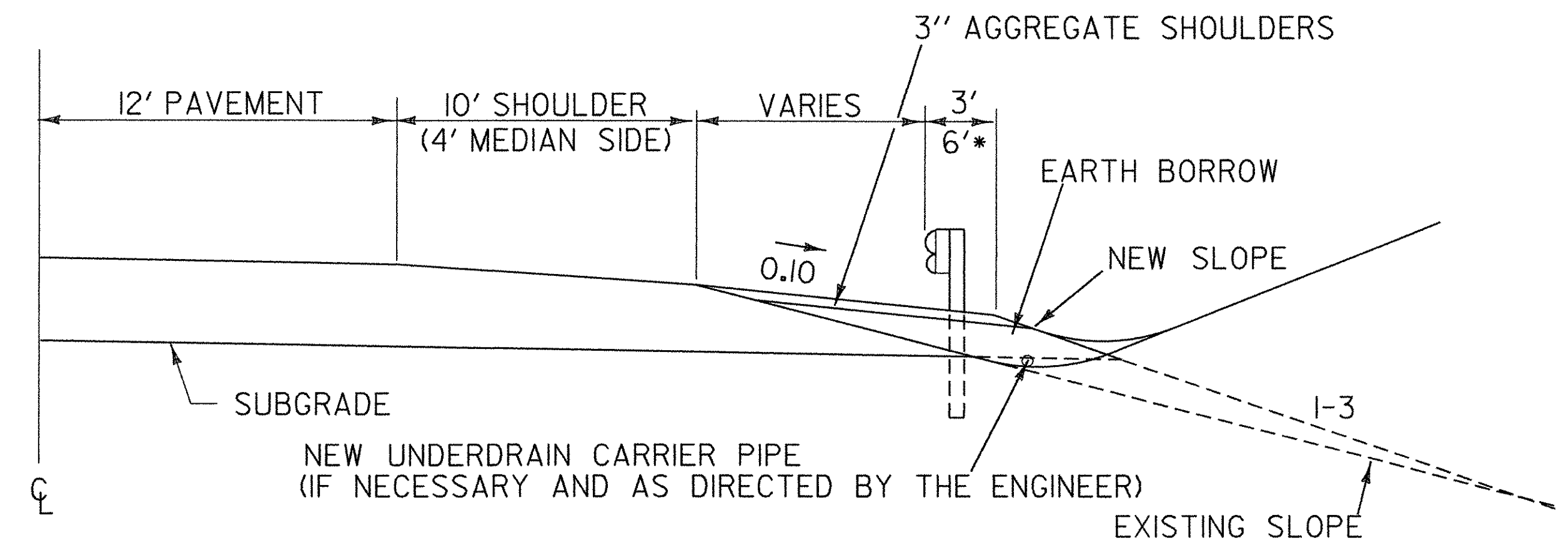
ANCHOR FOR STEEL BEAM RAIL

DETAIL OF HEAVY DUTY ANCHORS TO BE REMOVED



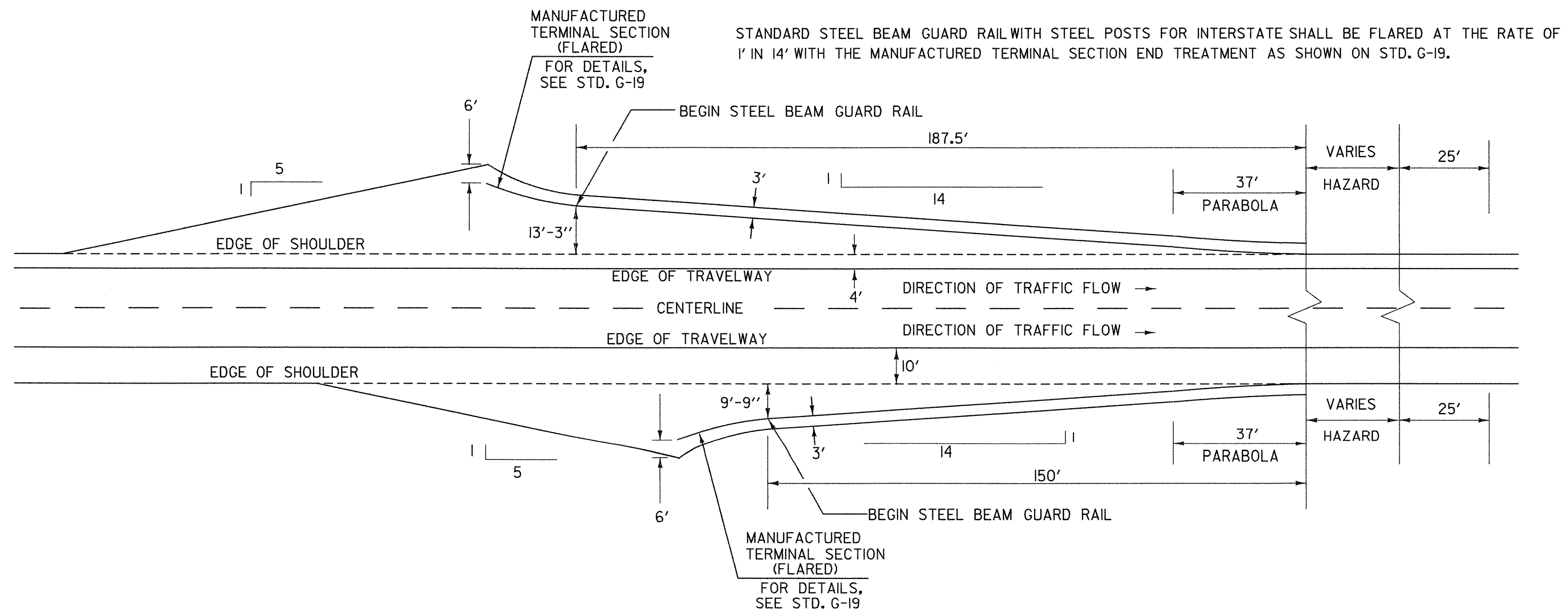
ANCHOR FOR CABLE GUARD RAIL

NOT TO SCALE



DETAIL OF SHOULDER TREATMENT AT GUARD RAIL WIDENING AREA

*OFFSET SHALL BE 6' BEHIND END OF MANUFACTURED TERMINAL SECTION.



TYPICAL FLARE WITH MANUFACTURED TERMINAL SECTION---TO BE USED AS DIRECTED BY THE RESIDENT ENGINEER

NOT TO SCALE

DRAWN BY	SQUAD B	DATE	4/97
SQUAD LEADER	DELLA SANTA		
DESIGN FILE NO.	/BTA007B/DESIGN/DA007FRM.DGN		
IPARM FILE	DA007MTS	DATE PLOTTED	19-AUG-2000
PROJ. NAME	FAIRFAX-FAIRFIELD-ST. ALBANS		
PROJ. NO.	IM 089-3(27)		
SHEET	24	OF	370 SHEETS