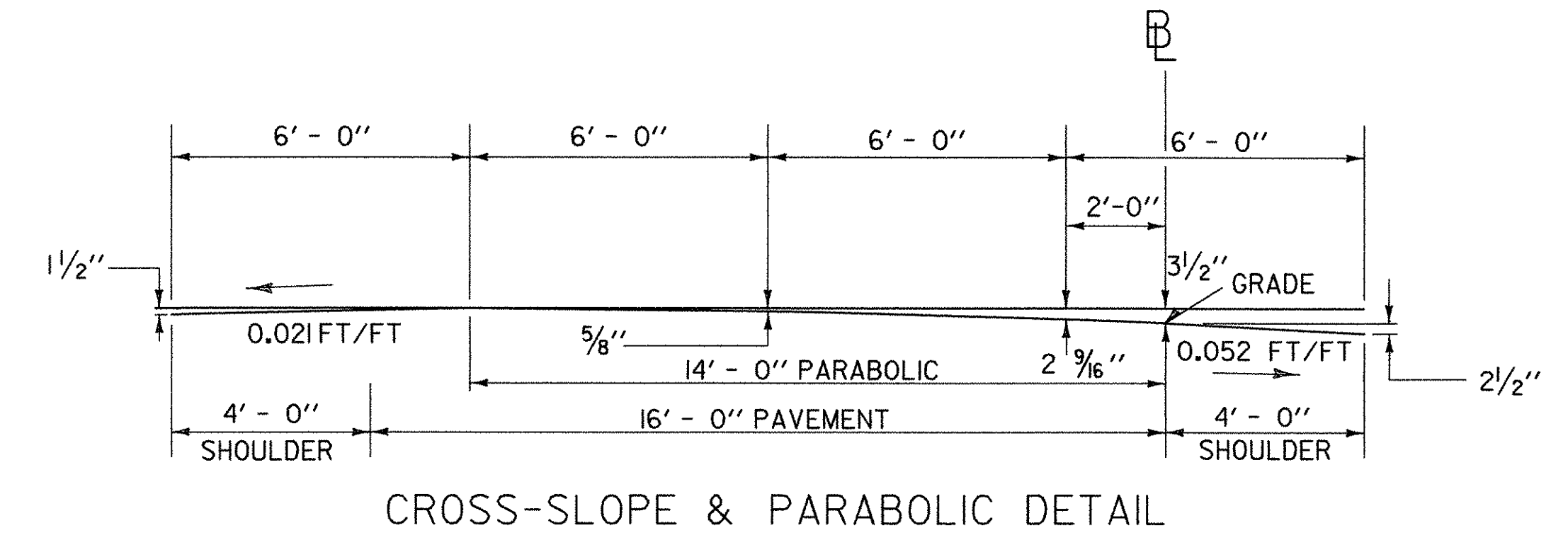


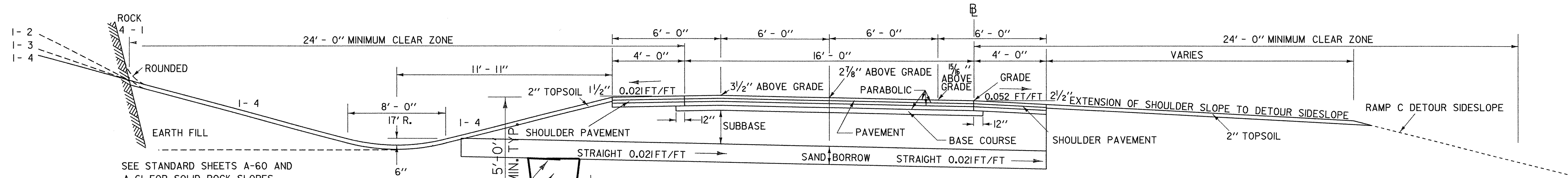
RAMP C TYPICAL

NEW PAVEMENT - 6" BITUMINOUS CONCRETE PAVEMENT (TWO 1 3/4" TYPE III S LIFTS OVER 2 1/2" TYPE II S) (PG 64-34)
 3 1/2" BASE COURSE OF BITUMINOUS CONCRETE PAVEMENT, TYPE IS (PG 64-34)
 24" SUBBASE OF DENSE GRADED CRUSHED STONE
 6" SAND BORROW

SHOULDERS: 6" BITUMINOUS CONCRETE PAVEMENT (TWO 1 3/4" TYPE III S LIFTS OVER 2 1/2" TYPE II S) (PG 64-34)



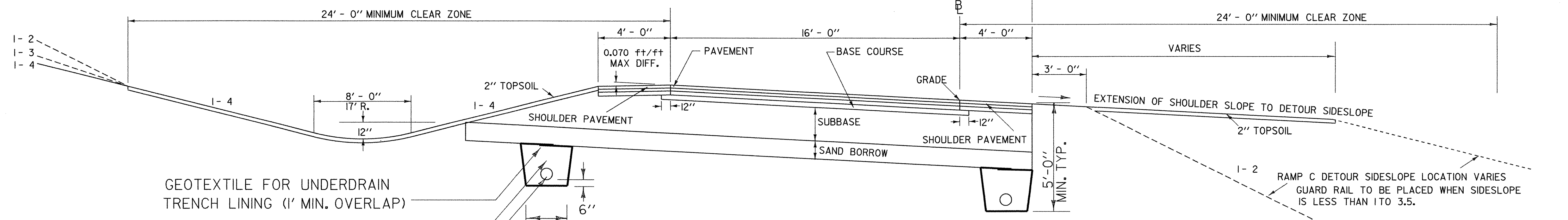
BREAK POINTS FOR TOP COURSES



NORMAL SECTION

NOTE: MOST OF RAMP C DETOUR WILL REMAIN IN PLACE EXCEPT FOR THE BITUMINOUS PAVEMENT AND SOME SUBBASE REMOVAL. SURFACE IS TO BE TOPSOILED AND SEEDDED.

SEE STANDARD SHEETS A-60 AND A-61 FOR SOLID ROCK SLOPES
 GEOTEXTILE FOR UNDERDRAIN TRENCH LINING (1' MIN. OVERLAP)
 CRUSHED GRAVEL FOR SUBBASE (PER SPEC. TABLE 704.05)
 NEW 8" UNDERDRAIN (MODIFICATION #1) (TYPICAL)

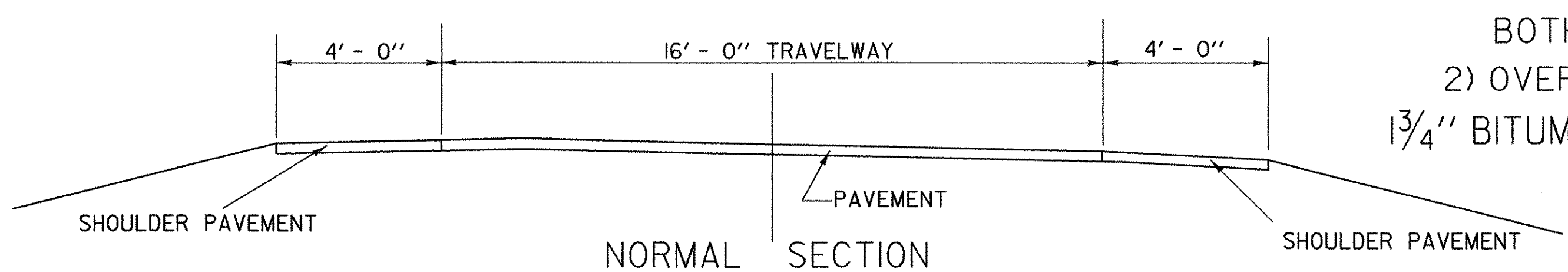


MAXIMUM BANKED SECTION: MATCH EXISTING

GEOTEXTILE FOR UNDERDRAIN TRENCH LINING (1' MIN. OVERLAP)
 CRUSHED GRAVEL FOR SUBBASE (PER SPEC. TABLE 704.05)
 NEW 8" UNDERDRAIN (MODIFICATION #1) (TYPICAL BOTH SIDES)

RAMPS A, B, & D AND ST. ALBANS SOUTH STATE HIGHWAY TYPICAL

- 1) COLD PLANE RAMPS A, B AND D AND ST. ALBANS SOUTH STATE HIGHWAY, BOTH THE TRAVELWAY AND THE SHOULDERS (24' WIDTH). (MINIMUM 1 3/4" DEPTH)
- 2) OVERLAY RAMPS A, B, AND D AND ST. ALBANS SOUTH STATE HIGHWAY WITH 1 3/4" BITUMINOUS CONCRETE PAVEMENT, TYPE III S. (24' WIDTH) (PG 64-34)



NOT TO SCALE

PROJECT: FAIRFAX - FAIRFIELD - ST. ALBANS	PROJECT NO.: IM 089-3(27)
DESIGN FILE NAME: /87A007B/DESIGN/DA007FRM.DGN	PLOT DATE: 24-AUG-2000
IPARM FILE NAME: DA007TY8	SURVEY DATE:
SURVEYED BY: ORVIS	DRAWN BY: SQUAD B
SQUAD LEADER: DELLA SANTA	SHEET: 10 OF 370