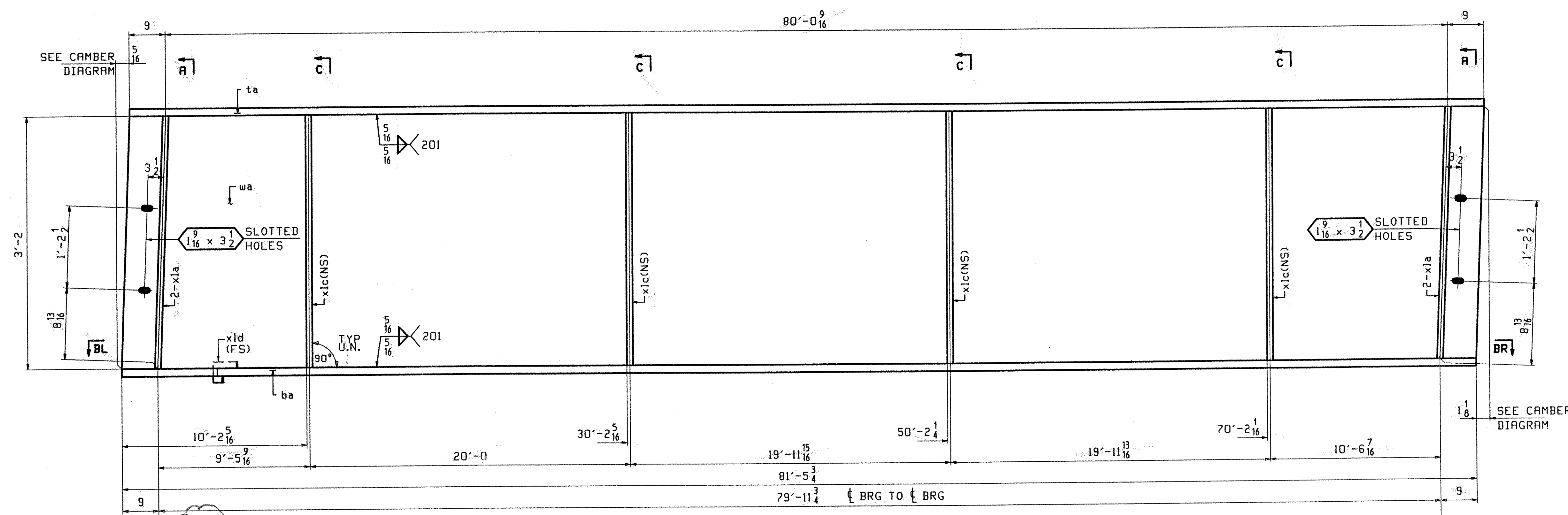


ABM INFO		BILL OF MATERIAL				JOB NO.	DRAWING NO.	REV.	
PAGE	LINE	MARK	QTY	MARK	MATERIAL	LENGTH FT INCHES	REMARKS	WT	PROCUREMENT NOTES
		IG1	1		GIRDER			14820	
1	D		1	wa	PL 1/2 x 38	81 6/8	(M270-50MT2) (H2-3)		
1	F		1	ta	PL 3/8 x 16	81 6/8	(M270-50MT2) (H2-3)		
1	B		1	ba	PL 1/2 x 16	81 5/8	(M270-50MT2) (H2-3)		
2	B		4	x1a	PL 1/2 x 7 1/2	3 2			
2	C		4	x1c	PL 1/2 x 5	3 2			
2	F		1	x1d	PL 1/4 x 3 1/2	0 10 1/8	DRIP PLATE		

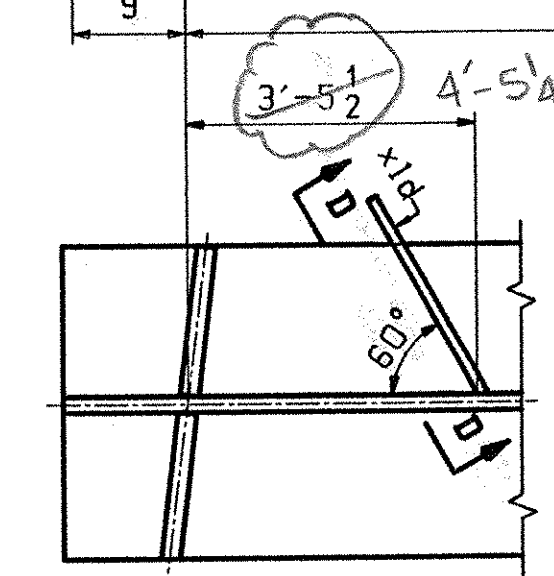
OK to use 7/8"  
13/16 not readily available  
PRW

VAOT  
RECEIVED  
OK'D BY *mgl* OK'D BY *E. Ray*  
4-9-01 4-18-01  
MAR 29 2001  
RESUBMIT APPROVED *AS NOTED*  
BY *mgl* DATE 4-18-01

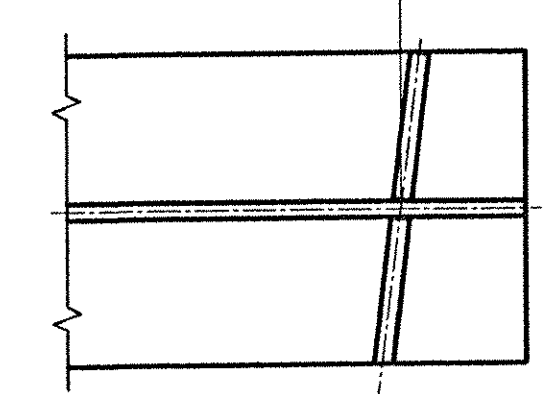


**ONE - GIRDER - IG1**

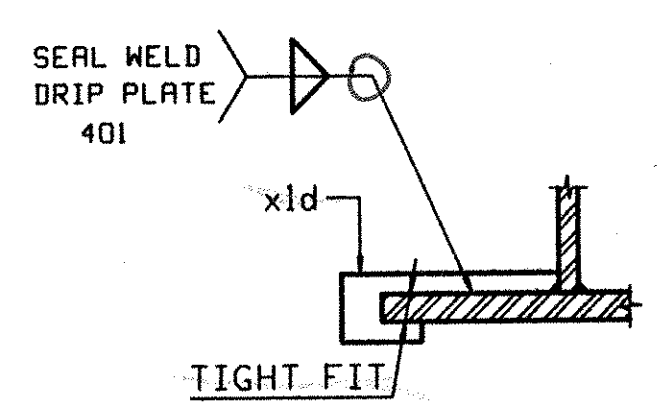
1. FOR GIRDER STANDARD DETAILS SEE DRAWING XI.
2. FOR CAMBER AND FLANGE DIAGRAMS SEE DRAWING CI.
3. FOR GENERAL NOTES SEE DRAWING GNI.



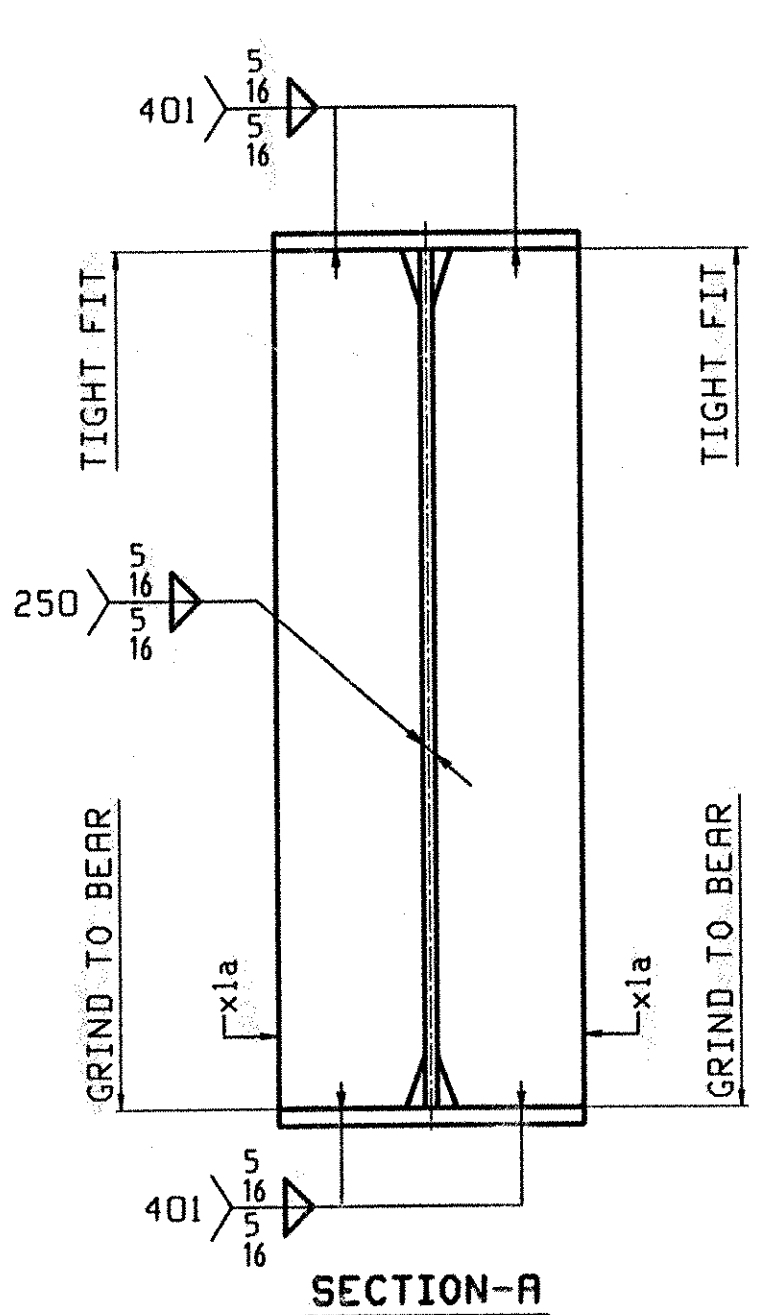
**SECTION-BL**



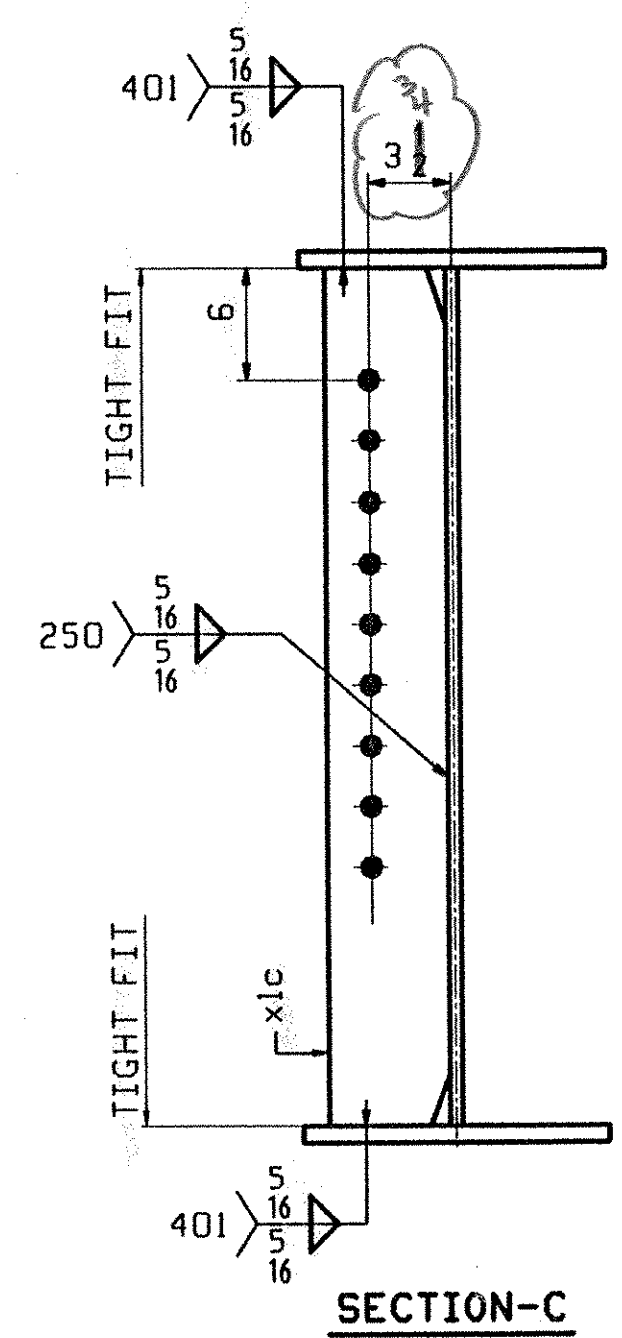
**SECTION-BR**



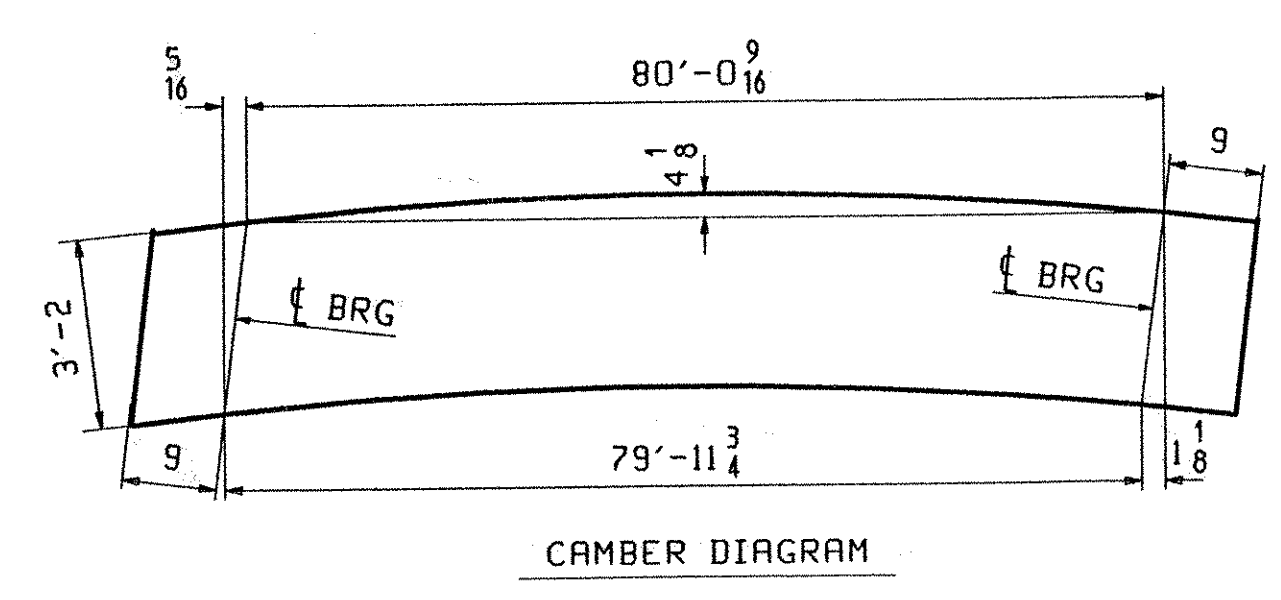
**SECTION-D**



**SECTION-A**



**SECTION-C**



**CAMBER DIAGRAM**

OUT FOR APPROVAL	3-26-01								
OUT FOR APPROVAL									
ISSUED TO SHOP									
FIELD & OFFICE									

REV.	REMARKS	DATE	DWN	CHK	APP	Q.A.	NO.	DIA.	LGT	TYPE	WASHER
	MATERIAL:										
	M270 GR. 50W										
	ELECTRODES:										
	HOLES:										
	15 16 U.N.										
	SHOP BOLTS:										

SURFACE PREP. & PAINT:

DESCRIPTION:	GIRDER IG1	DRAWN BY	JAK	DATE	03/16
JOB:	I-89 OVER VT-104	CHKD BY	JB		3/22/01
	BRIDGE 875 & 87 N	APPROV BY			
	I-89 IMPROVEMENTS	SUPERVISOR	W. J. GATTI		
	FAIRFAX FRANKLIN COUNTY				
PROJ NO.	IM-089-3(27)				
CUSTOMER:	VERMONT AGENCY OF TRANSPORTATION				
<b>CASCO BAY STEEL STRUCTURES, INC.</b>		JOB NO.	131	DRG. NO.	1
75 SPRING HILL ROAD	SACO, MAINE 04072				
PHONE (207) 282-7360	FAX. (207) 282-1179	447		REV.	△