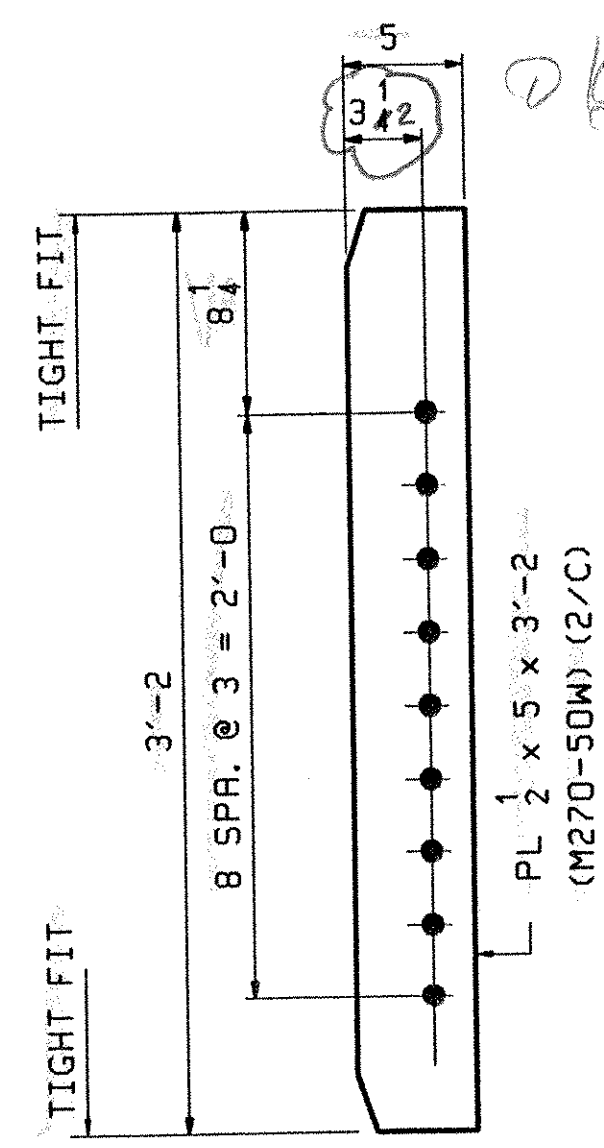
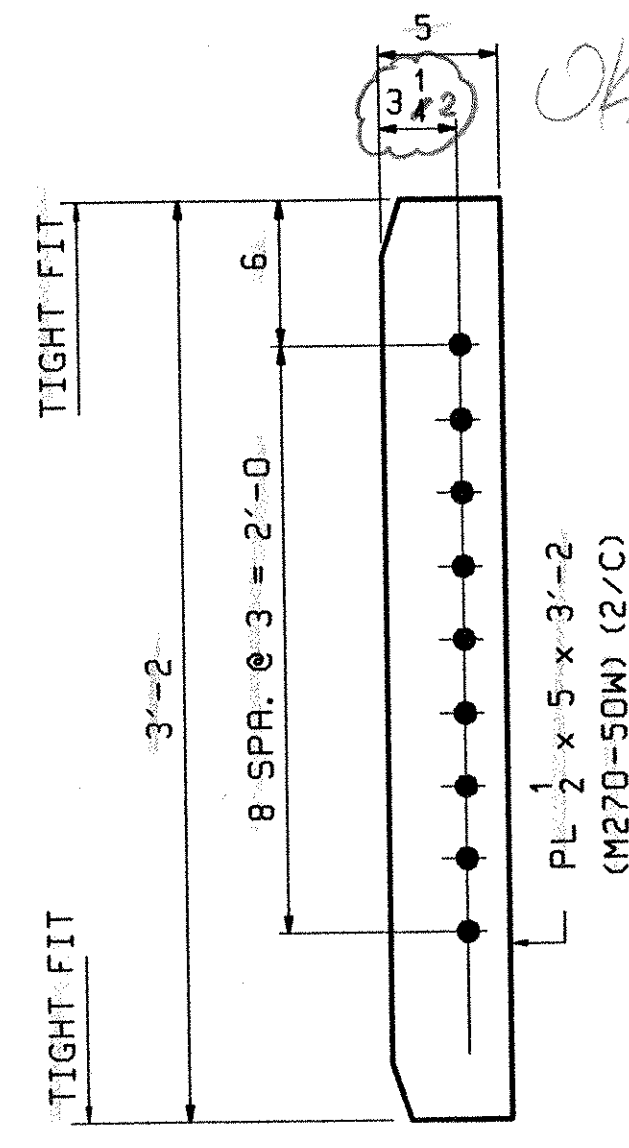


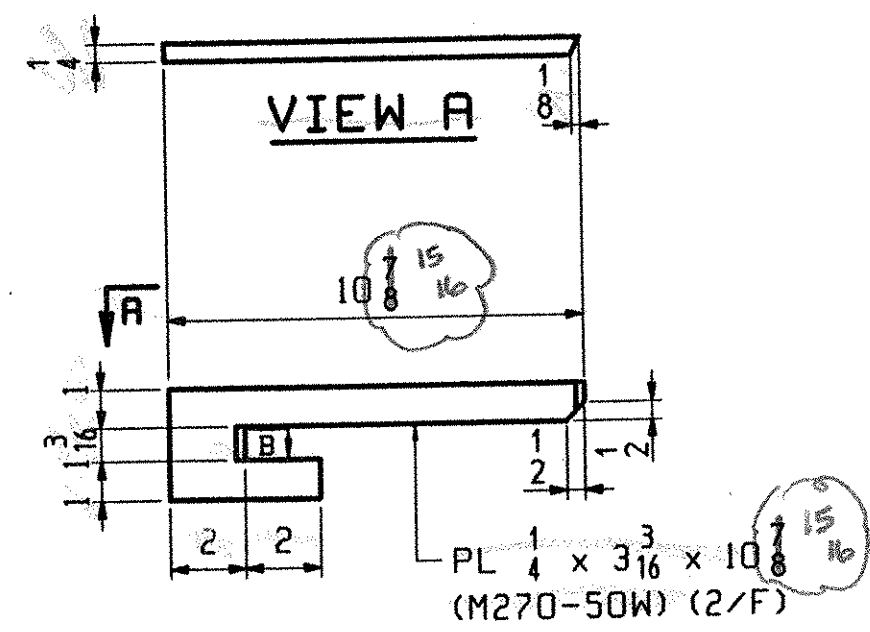
40 ~ x1a
ABUT. BRG STIFF



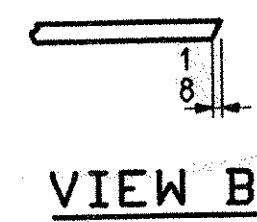
32 ~ x1b
INT. CONN STIFF
HIGH SIDE



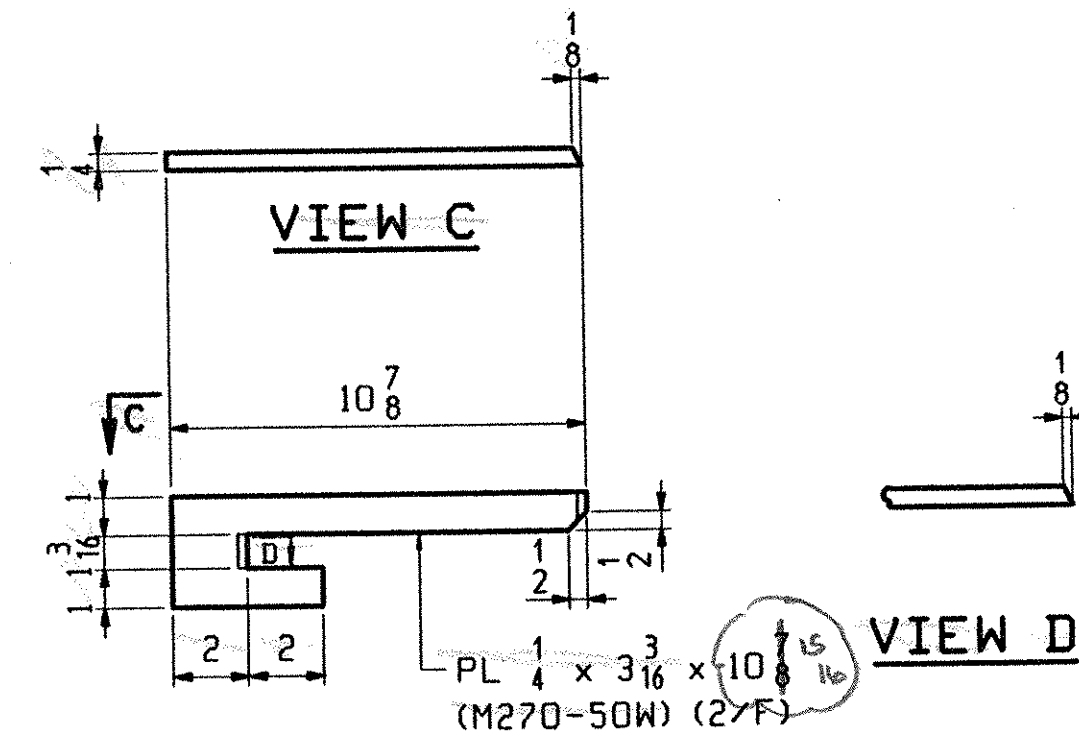
32 ~ x1c
INT. CONN STIFF
LOW SIDE



2 ~ x1d
DRIP PL



VIEW B



2 ~ x1f
DRIP PL

VIEW D

FOR GENERAL NOTES SEE GNI:

OUT FOR APPROVAL	3-26-01									
ISSUED TO SHOP										
FIELD & OFFICE										

REV.	REMARKS	DATE	DWN	CHK	APP	Q.A.	NO.	DIA.	LGT	TYPE	WASHER
	MATERIAL:										
	M270 GR. 50W										
	ELECTRODES:										
	HOLES:										
	SHOP BOLTS:										

SURFACE PREP. & PAINT:

DESCRIPTION:	GIRDER STANDARDS	DRAWN BY	DATE
JOB:	I-89 OVER VT 104	JAK	3/16/01
	BRIDGE 87S & 87 N	CHKD BY	
	I-89 IMPROVEMENTS	JB	3/22/01
	FAIRFAX	APPROV BY	
	FRANKLIN COUNTY	SUPERVISOR	H. J. GATTI
PROJ NO.	IM 089-3(27)	Q.A.	
CUSTOMER:	VERMONT AGENCY OF TRANSPORTATION	JOB NO.	DRG. NO.
		131	X1
CASCO BAY STEEL STRUCTURES, INC.		446	REV. △
75 SPRING HILL ROAD SACO, MAINE 04072			
PHONE (207) 282-7360 FAX. (207) 282-1179			

VAST
 RECEIVED
 CKD BY *mg* 3-30-01
 OK'D BY *C. Roy* 4-18-01
 MAR 29 2001
 RESUBMIT BY *mg* APPROVED DATE 4-18-01
 ABANDONED