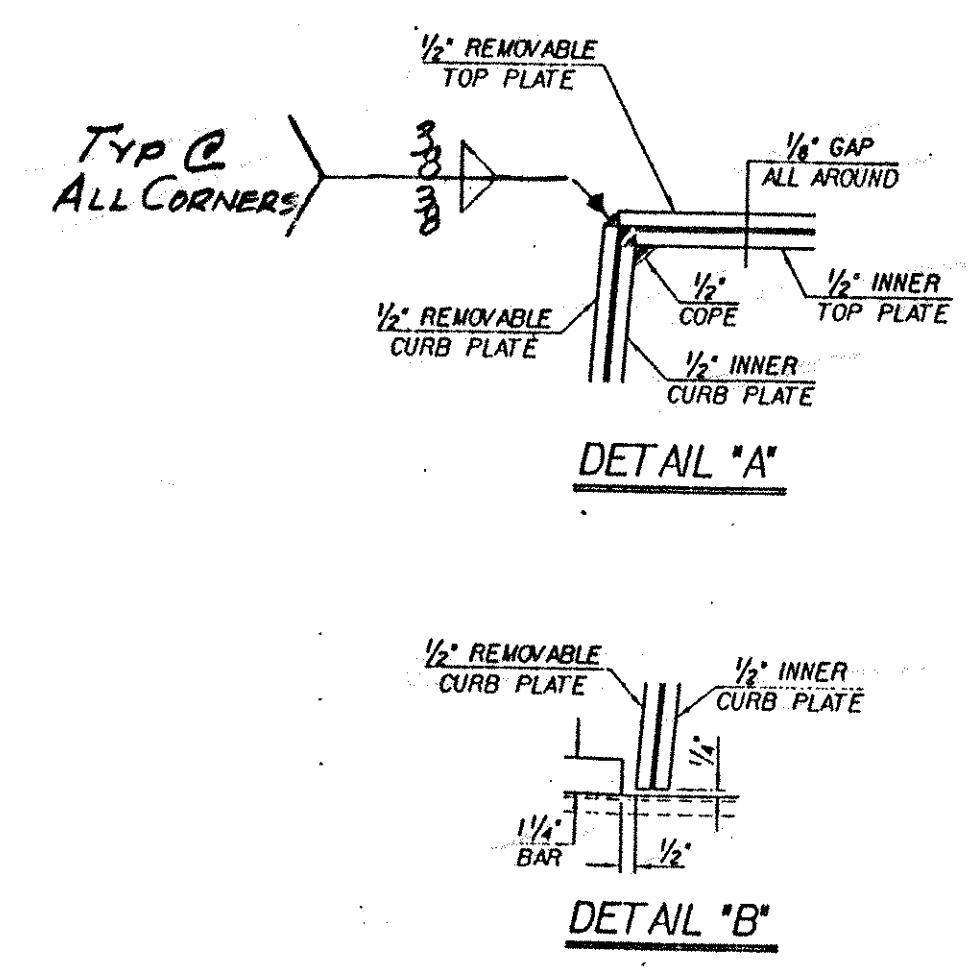
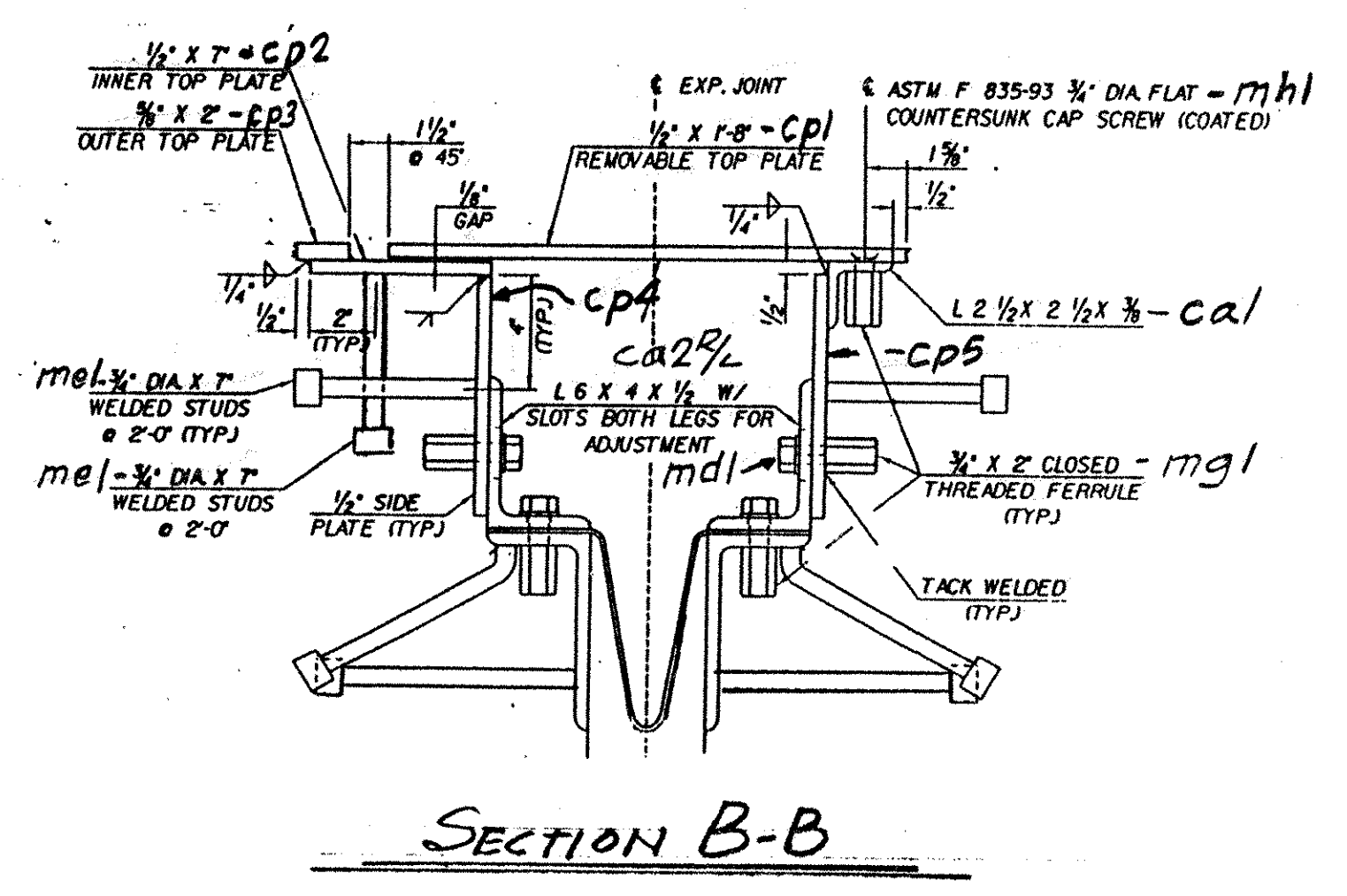


RIGHT END BRUSH CURB SHOWN
LEFT END - OPPOSITE HAND



OUT FOR APPROVAL	3-23-01																		
OUT FOR APPROVAL																			
ISSUED TO SHOP																			
FIELD & OFFICE																			
REV.	REMARKS	DATE	DWN	CHK	APP	Q.A.	NO.	DIA.	LGT	TYPE	WASHER								
	PROJECT NO. IM-089-3(27) STATE BRIDGE NO. 88N																		
	MATERIAL: A36 STEEL ELECTRODES: PER PROC. HOLES: AS NOTED SHOP BOLTS: 5/8" S.S. SURFACE PREP. & PAINT: GALVANIZED AFTER FAB. - U.N.																		
	DESCRIPTION: EXP. JOINT - ABUT. NO. 8																		
	JOB: BRIDGE 88N																		
	I-89 OVER ST. ALBANS SO. STATE HIGHWAY																		
	FAIRFAX - FAIRFIELD - ST. ALBANS, VT.																		
	CUSTOMER: J.A. McDONALD																		
	CASCO BAY STEEL STRUCTURES, INC.																		
	75 SPRING HILL ROAD SACO, MAINE 04072																		
	PHONE (207) 282-7360 FAX. (207) 282-1179																		
	JOB NO. 132 DRG. NO. J2A																		
	439 R.F.V.																		

VAOT RECEIVED
 CKD BY: JEL OK'D BY: G. Roy
 MAR 29 2001
 RESUBMIT APPROVED / AS NOTED
 BY: mgl DATE: 4-17-01

WORK THIS DWG. W/ DWG. J2