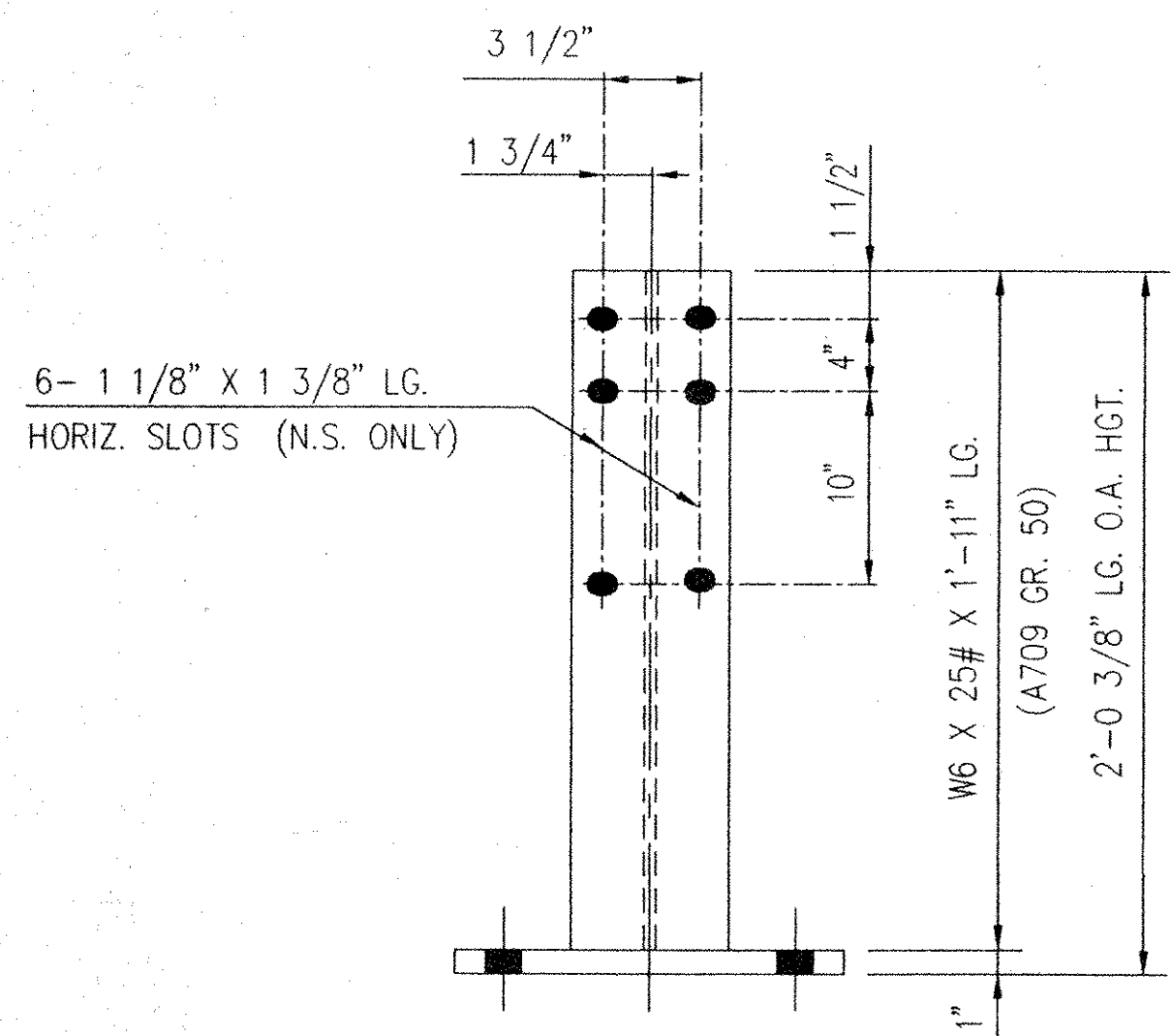
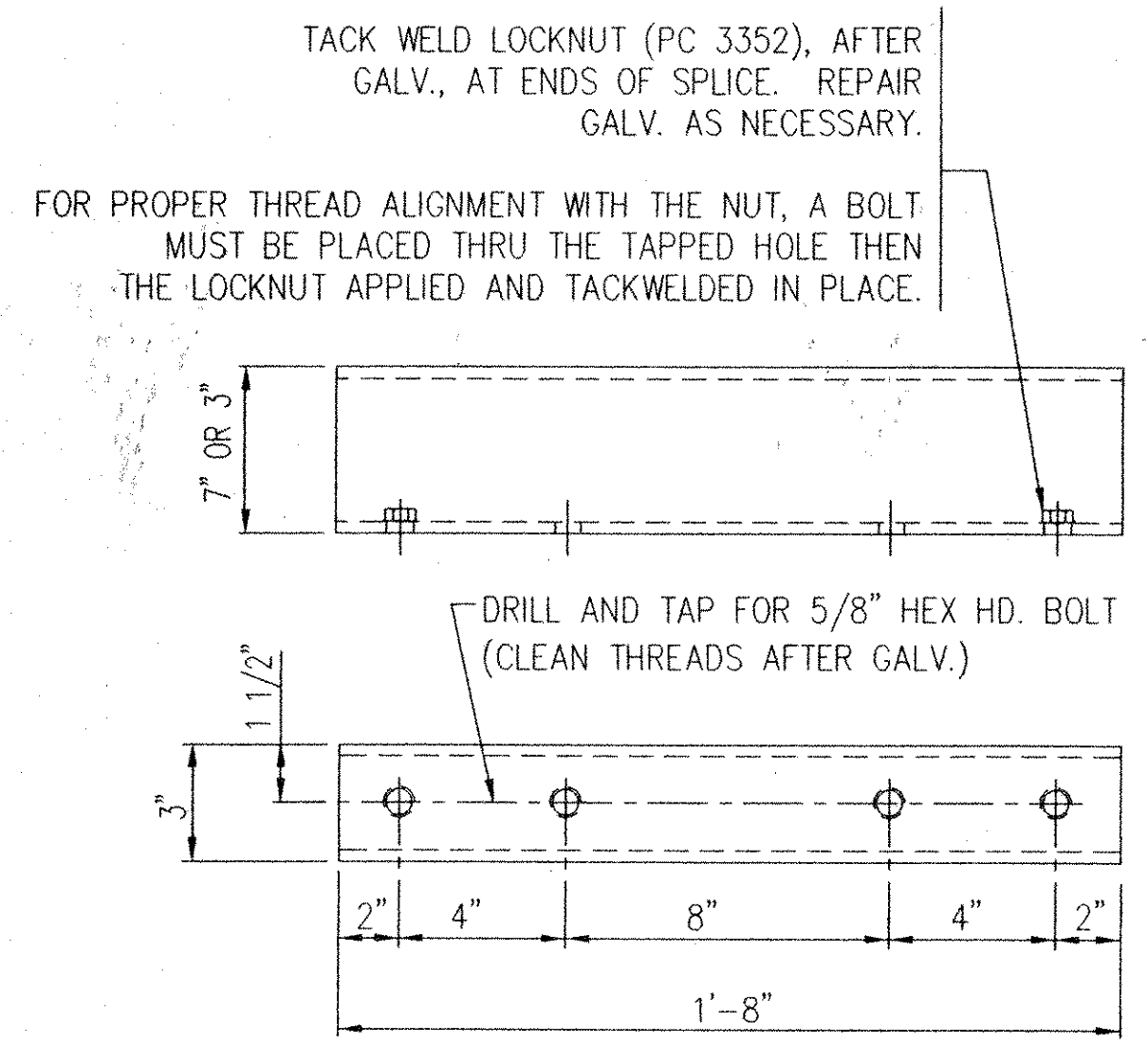


PC 5218 BEARING PAD
1/8" THICK ELASTOMERIC PAD
(AASHTO M251)
(50 DUROMETER ELASTOMER)



PC 27782 POST



PC 35107 SPLICE TS 7" X 3" X 3/8" LG. (A500 GR B)

PC 35103 SPLICE TS 3" X 3" X 5/16" LG. (A500 GR B)

BILL OF MATERIAL				
PRODUCT CODE	QTY.	DESCRIPTION	WT. EA	REMARKS
27782A	169	POST	98 #	
* 32816G	169	ANCHOR PLATE	10 #	
5218B	169	BEARING PAD	1 #	NOT GALVANIZED
35107A	36	SPLICE (TS 7" x 3" x 3/8" x 1'-8")	39 #	
35103A	36	SPLICE (TS 3" x 3" x 5/16" x 1'-8")	19 #	
FIELD HARDWARE				
35209G	64	3/4" Ø SCH. 40 PIPE x 1/2" LG.	0.1 #	A53 NOT DETAILED A123
3390G	144	5/8" Ø x 1 3/4 LG. HEX HD. BOLT		A307 GR A A153
3300G	144	5/8" WASHER		F844 A153
3637G	676	3/4" Ø x 6" LG. RD. WR. HD. BOLT		A325 A153
3702G	676	3/4" WASHER, 2" O.D. (HARDENED)	TYPE A	F436 A153
3704G	676	3/4" HEX NUT		A563 DH A153
ANCHORAGE HARDWARE				
* 4914G	676	1" Ø x 1'-0" LG. ANCHOR STUD	FULLY THRD	A449 A153
* 3908G	676	1" HEX NUT		A563 DH A153
* 3910G	676	1" HEX NUT		A563 A153
* 4910G	676	1" HEX JAM NUT		A563 A153
* 4902G	676	1" PLAIN WASHER		F436 A153
PAY QUANTITY				
1231.48 LIN. FT.		ITEM NO. 525.33 ~ T2 STEEL BRIDGE RAIL (PL2)		

(*) ANCHORAGE TO BE SHIPPED PRIOR TO REMAINDER OF MATERIAL.

NOTES:

1. Tubing and posts shall meet the requirements of Section 732 - Railing materials of the Standard Specifications for Construction. All exposed cut or sheared edges shall be rounded to a 1.6 mm radius and be free of burrs.

2. GALVANIZED SURFACES SHALL HAVE A UNIFORM APPEARANCE AND GALVANIZED MATERIAL SHALL BE PROPERLY STORED WITH WOOD BLOCKING BETWEEN PIECES.

3. Rail bars.....ASTM A500, Grade B or ASTM A501
SEE SECTION 732.03, SUBSECTION 3

4. Rail posts.....ASTM A709/A709M, Grade 345 CVN
SEE SECTION 732.03, SUBSECTION 2

5. All other shapes & plates.....AS NOTED ON DETAILS (NO CVN REQD)

6. BEARING PAD SHALL COMPLY WITH 731.01 OR 731.02.

APPROVAL DRAWING ISSUED
MAY 17 2001
FOR ERECTION LAYOUT SEE SHEET E1, E2 & E3 OF 3 (22) 102392
GIRARD ENGINEERING DEPT.
TRINITY INDUSTRIES, INC.
1470N STATE STREET
GIRARD, OHIO 44420

REV.	CHK'D	BY	DATE	REMARKS
PAY ITEM NUMBER 525.33 ~ T2 STEEL BRIDGE RAIL (PL2)				
STATE OF VERMONT AGENCY OF TRANSPORTATION INTERSTATE ROUTE 89 TOWNS OF FAIRFAX, FAIRFAX & ST. ALBANS COUNTY OF FRANKLIN STATE PROJECT NO. IM-089-3(27) BRIDGE Nos. 87/88 N & S				DRAWN SAR CHECKED S.H. SCALE: N.T.S. DATE 4/26/01 ENG. FILE # 22-102392-D1 SHT.No. D1 OF 4 TRINITY SALES ORDER NO. (22) 102392
CUSTOMER NORTHLAND SPECIALTIES P.O. No. VERBAL				TRINITY INDUSTRIES, INC. HIGHWAY SAFETY PRODUCTS 2525 STEMMONS FREEWAY, DALLAS, TX 75207

VAOT
RECEIVED
OK'D BY JEL OK'D BY E. Roy
5/30/01 6/4/01
MAY 24 2001
RESUBMIT APPROVED AS NOTED
BY E Roy DATE 6.4.01

This drawing and the information shown thereon is the sole property of TRINITY INDUSTRIES, INC. Neither the drawing nor such information is to be used for any purpose other than that for which it was specifically furnished by TRINITY INDUSTRIES, INC. nor is any part thereof to be reproduced without written permission.

I:\Projects\102392\102392-01.DWG Thu May 17 10:56:14 2001 PLOTTED BY STATION 1