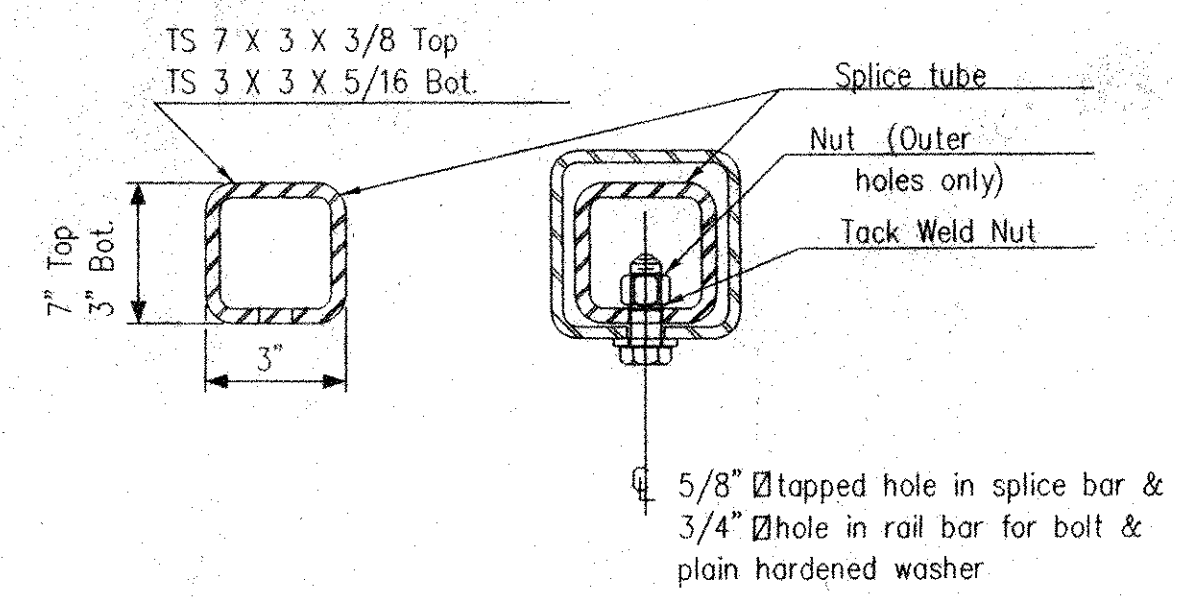
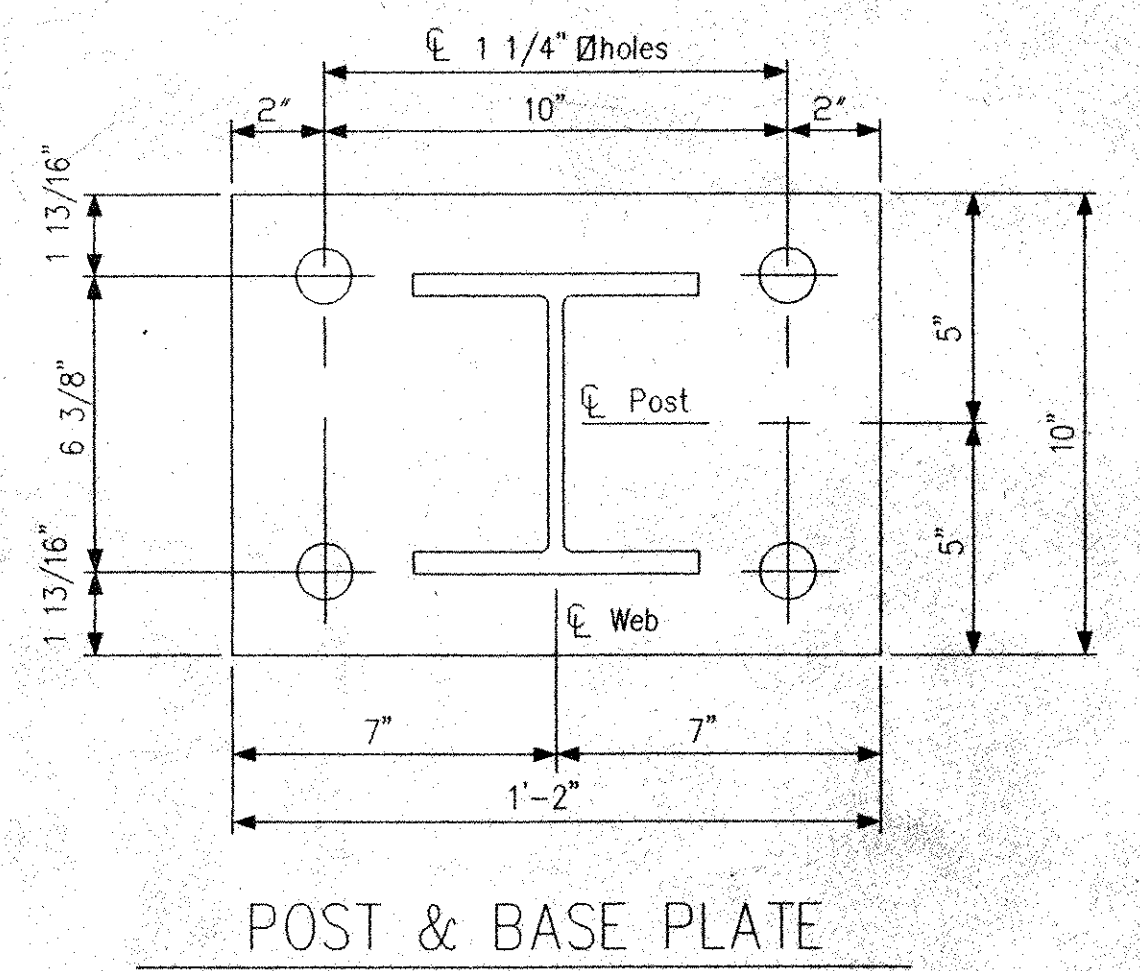
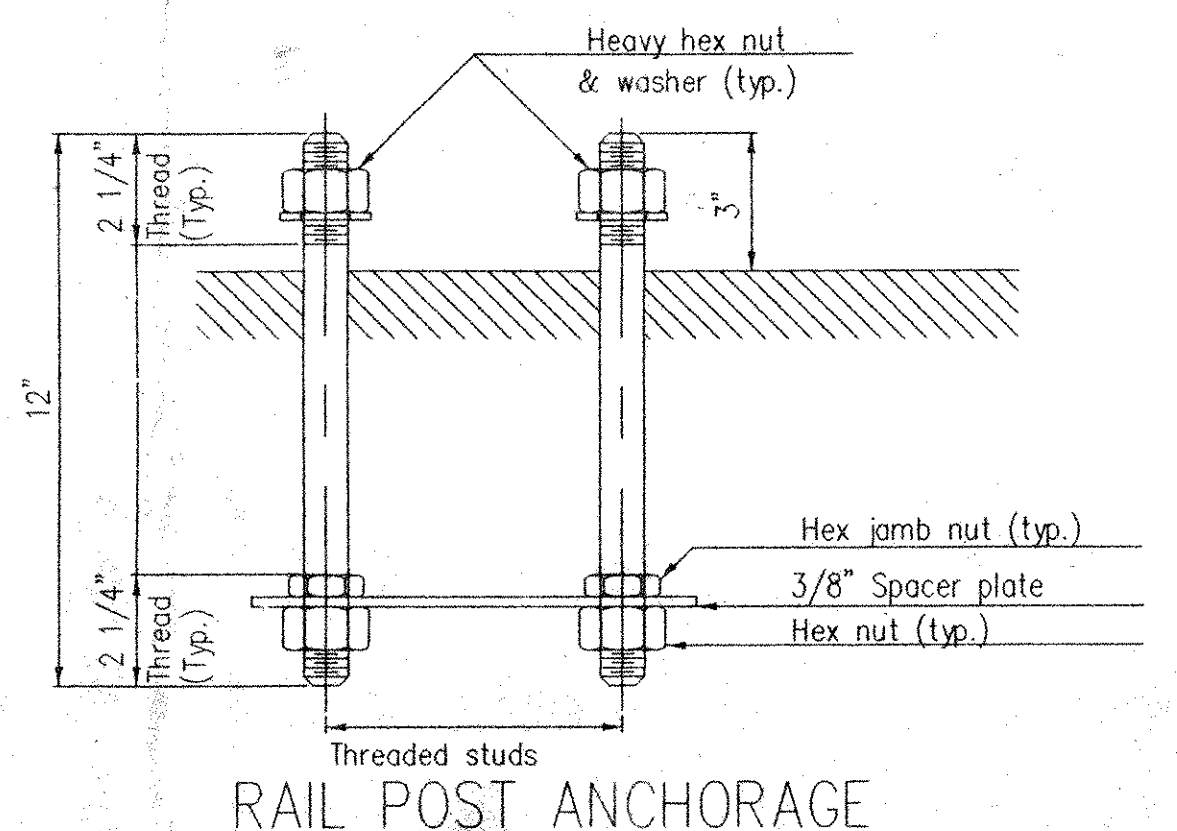
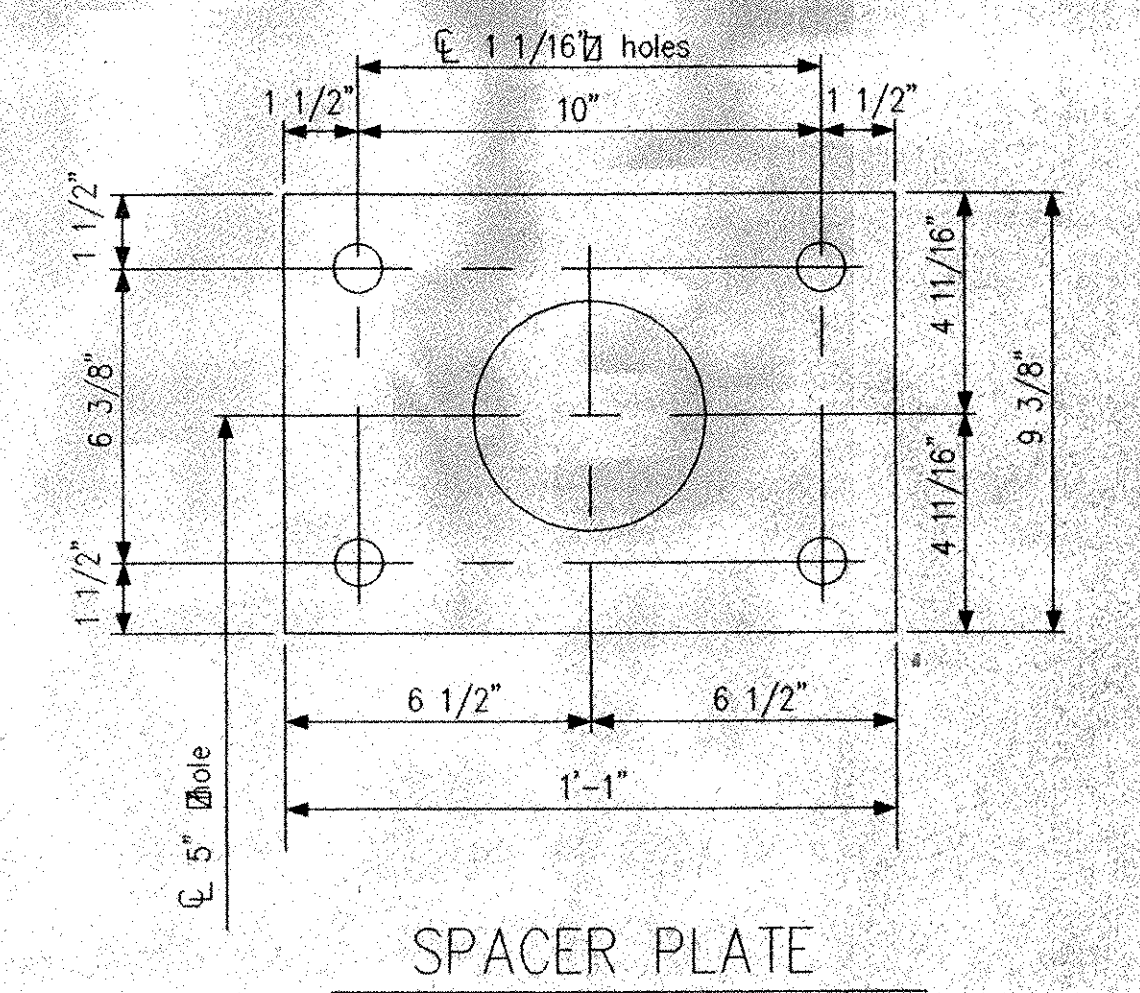
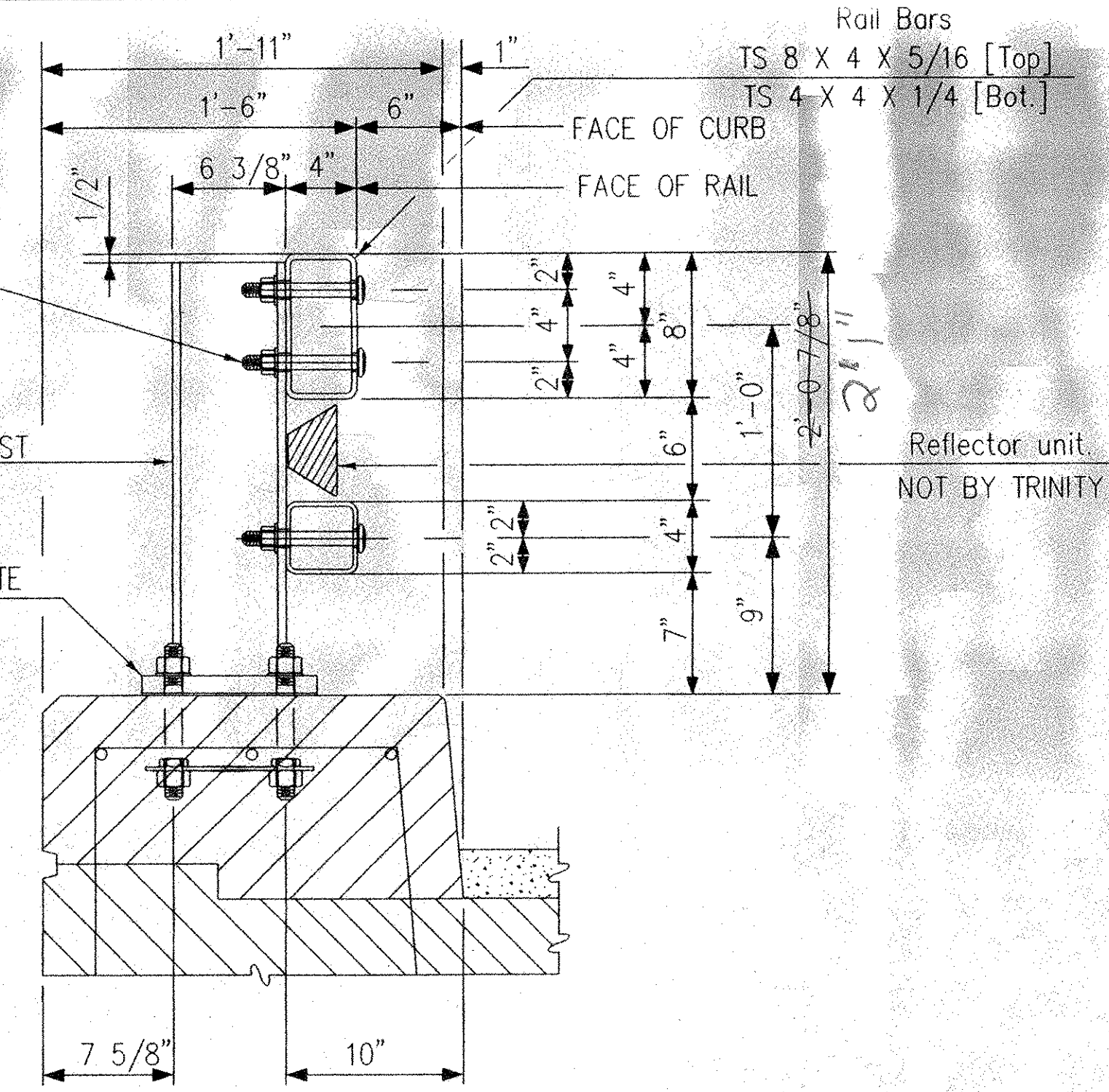


Shop Drawings



NOT RECEIVED  
 CND BY [Signature] DND BY [Signature]  
 5-20-01  
 MAY 24 2001  
 RESUBMIT APPROVED [Signature]  
 BY [Signature] DATE 6-4-01

- NOTES:
1. ALL RAILING POSTS ARE PC 27882.
  2. ALL TS 8" x 4" RAIL SPLICES ARE PC 35107.
  3. ALL TS 4" x 4" RAIL SPLICES ARE PC 35103.
  4. TOTAL PAY LENGTH: 1231.48 LIN. FT.
  5. FINISH: GALV. A123, HARDWARE: GALV. A153.

This drawing and the information shown thereon is the sole property of TRINITY INDUSTRIES, INC. Neither the drawing nor such information is to be used for any purpose other than that for which it was specifically furnished by TRINITY INDUSTRIES, INC. No reproduction, in whole or in part, is permitted without the written consent of TRINITY INDUSTRIES, INC.

APPROVAL DRAWING

GIRARD ENGINEERING DEPT.  
**ISSUED**  
 MAY 17 2001  
 TRINITY INDUSTRIES, INC.  
 1170 N. STATE STREET  
 GIRARD, OHIO 44420

FOR DETAILS SEE SHEET D1, D2, D3 & D4 OF 4 (22) 102392

REV.	CHK'D	BY	DATE	REMARKS

ITEM NUMBER 525.33 T2 STEEL BRIDGE RAIL (PL2)

STATE OF VERMONT AGENCY OF TRANSPORTATION INTERSTATE ROUTE 89	DRAWN SAR
TOWNS OF FAIRFAX, FAIRLAND & ST. ALBANS COUNTY OF FRANKLIN	CHECKED S.H.
STATE PROJECT NO. IM 089-3(27) BRIDGE NO. 87	SCALE: N.T.S.
CUSTOMER NORTHLAND SPECIALTIES P.O. No. VERBAL	DATE 4/30/01
TRINITY INDUSTRIES, INC. 424	ENG. FILE # 22-102392-E3
HIGHWAY SAFETY PRODUCTS	SHT.No. E3 OF 3
2525 STEMMONS FREEWAY, DALLAS, TX 75207	TRINITY SALES ORDER NO. (22) 102392

1: V:\Shore\Eng\neer\mg\MP\VT102392-02-10239-E3.DWG Thu May 17 10:55:57 2001 PLOTTED BY: STATION 1