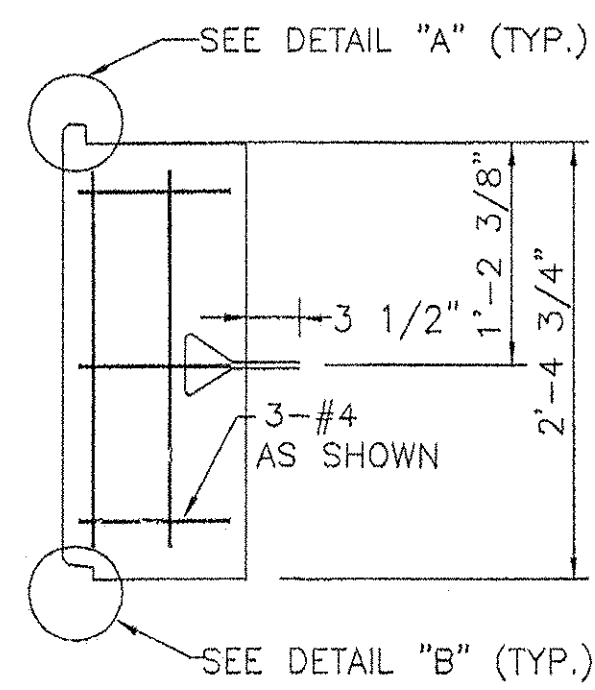
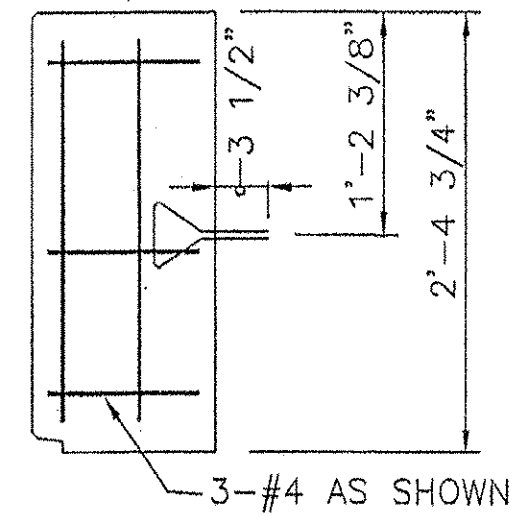


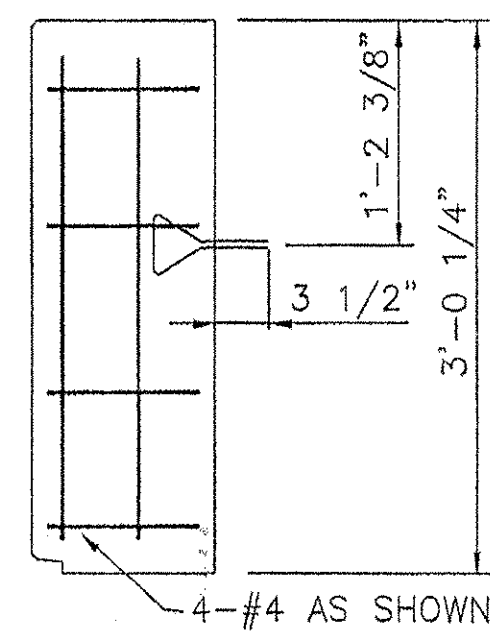
CE3A-2-R4



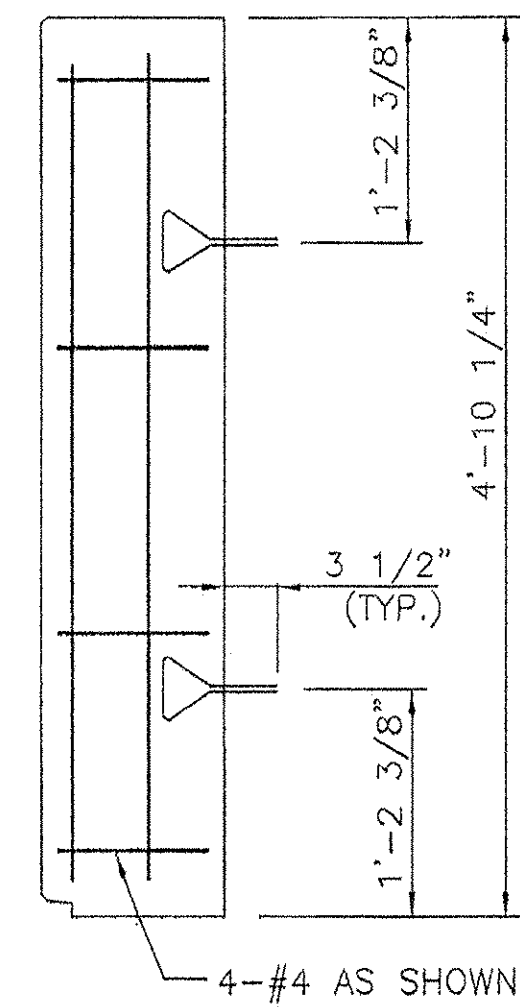
CE3B-1-R4



CE3D-1-R4

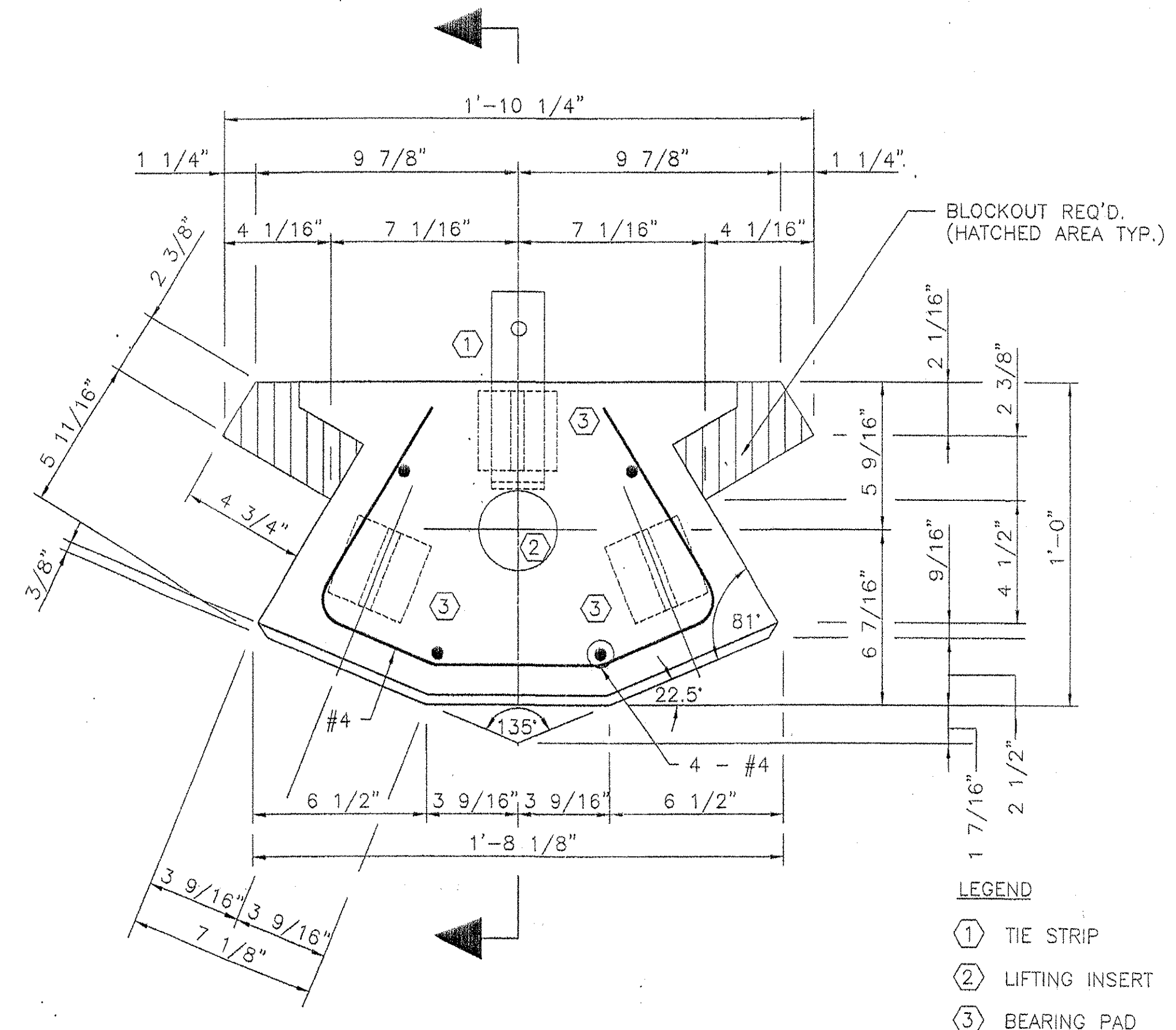


CE3E-2-R4



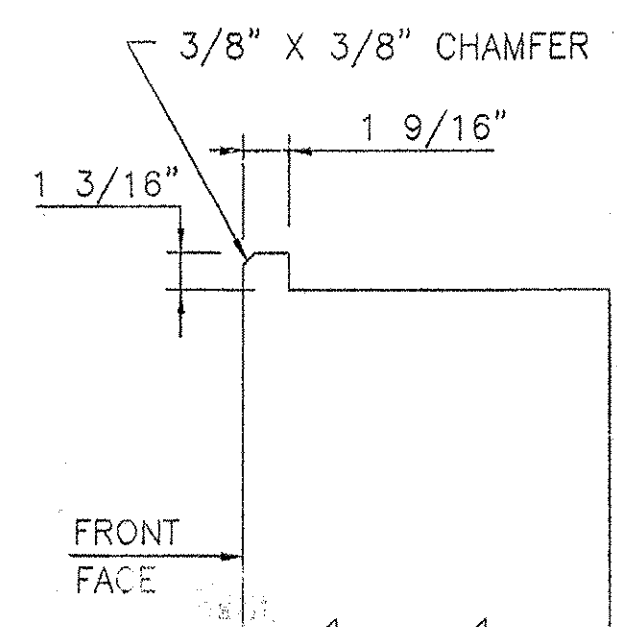
CE3H-2-R4

ALL CORNER ELEMENTS SHALL BE PLAIN STEEL FORM FINISH

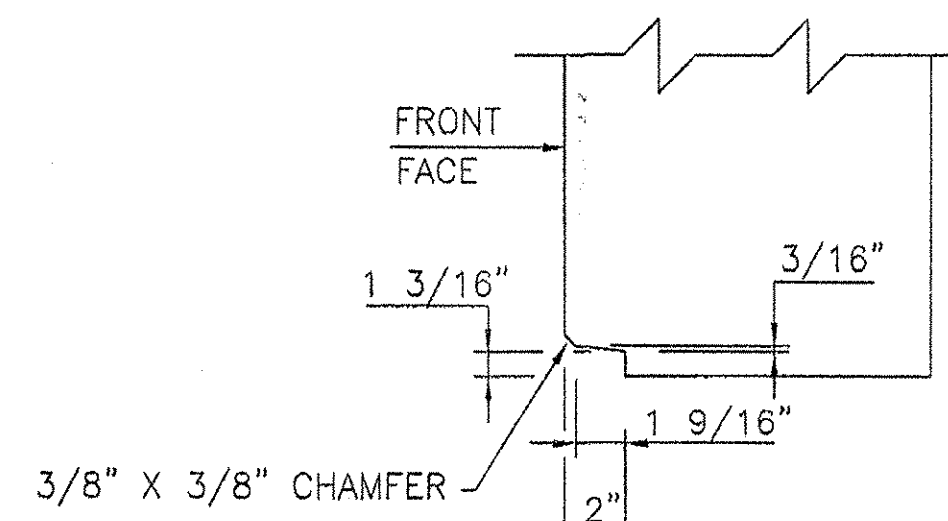


CORNER ELEMENT TYPE 3 118° ± - 162° ±

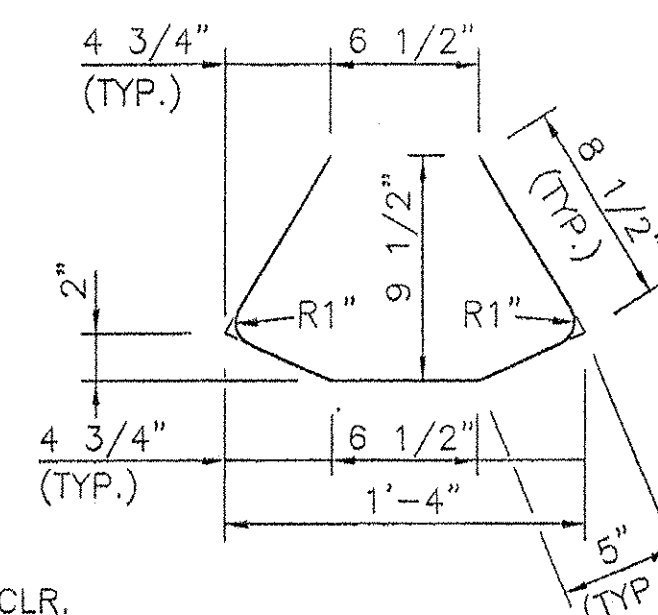
SCALE: 3" = 1'-0"



DETAIL "A"



DETAIL "B"



NOTE: 1 1/2" MIN. CLR. ON ALL REBAR.

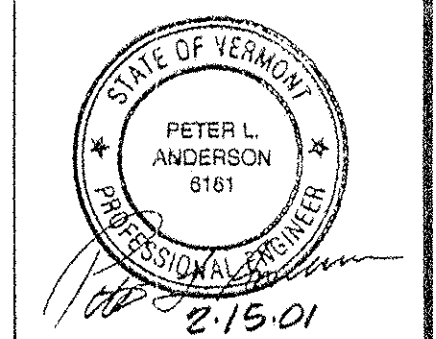
BAR DETAIL

SCALE: 1 1/2" = 1'-0"
(DIMENSIONS SHOWN ARE OUT TO OUT)

KEY TO PIECE MARK

- CE3A-2-R4
- PANEL REINFORCEMENT
- NO. OF TIE STRIPS
- PANEL HEIGHT
- TYPE
- CORNER ELEMENT

CERTIFIED WITH RESPECT TO THE INTERNAL STABILITY OF REINFORCED EARTH STRUCTURES ONLY



C:\9360\SHOP\9360S07.DWG

This drawing contains information proprietary to The Reinforced Earth Company, and is being furnished for the use of VERMONT AGENCY OF TRANSPORTATION only in connection with this project, and the information contained herein is not to be transmitted to any other organization unless specifically authorized in writing by The Reinforced Earth Company. The Reinforced Earth Company is exclusive licensee in the United States under patents issued to Henri Vidal, and the furnishing of this drawing does not constitute an expressed or implied license under the Vidal patents.

The design contained on these drawings is based on information provided by the owner. On the basis of this information, The Reinforced Earth Company has designed, and is responsible for the internal stability of the structure only. External stability, including foundation (bearing capacity and settlement) and slope (global) stability, is the responsibility of the owner.



"REINFORCED EARTH" is the registered trademark of The Reinforced Earth Company.

DESIGNED BY: KPB		PROJECT NAME FAIRFAX-FAIRFIELD-ST. ALBANS I-89 OVER VT 104	DATE 2-15-01
PROJECT ENGR: KPB		LOCATION FAIRFAX-FAIRFIELD-ST. ALBANS VERMONT	CONTRACT NO. 9360
CHECKED BY: PLA		OWNER VERMONT AOT	DRAWING NO. 7 OF 8
ENG. MANAGER	REV. DATE DESCRIPTION	DRAWING COVERS CORNER ELEMENT DETAILS	SCALE AS SHOWN