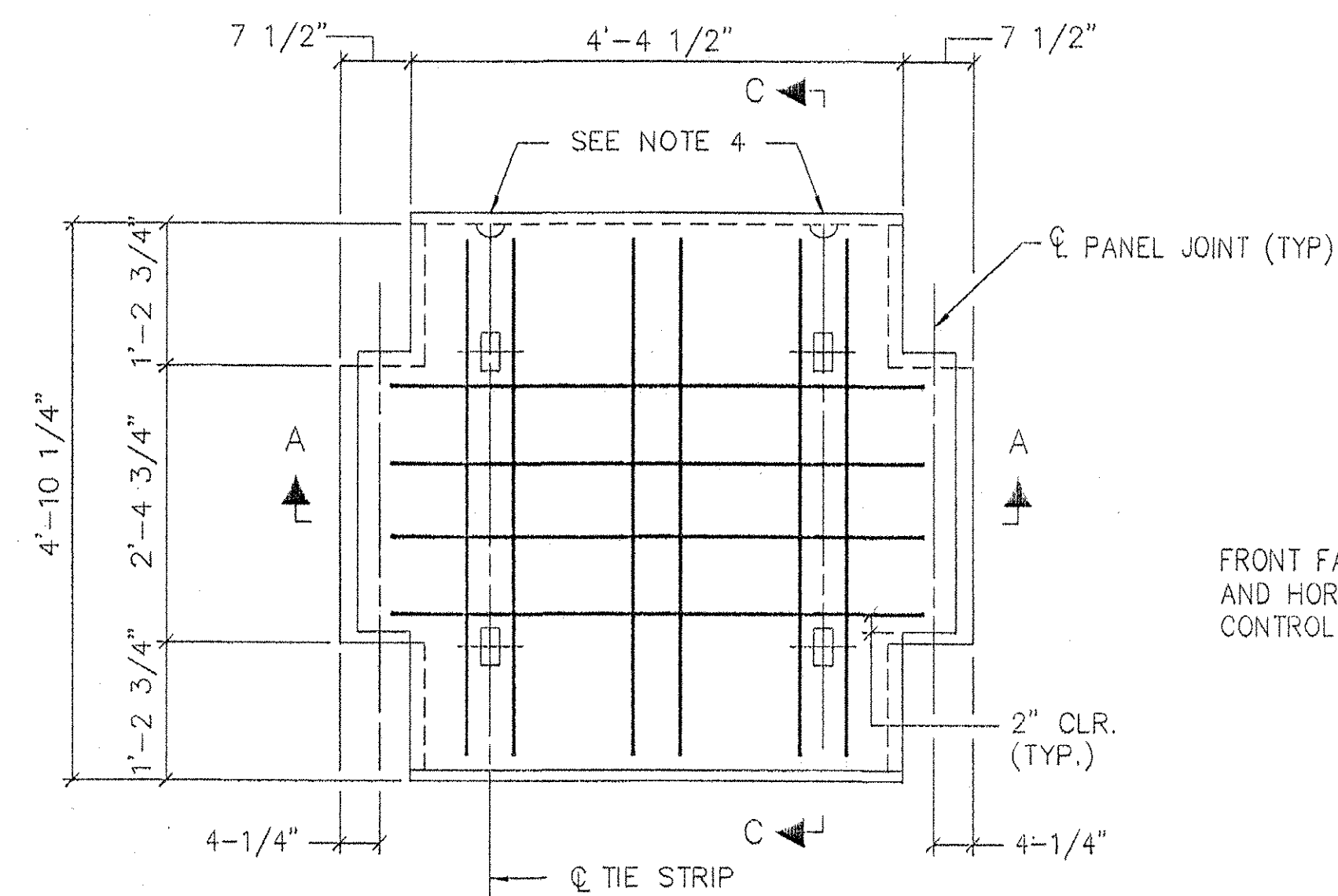
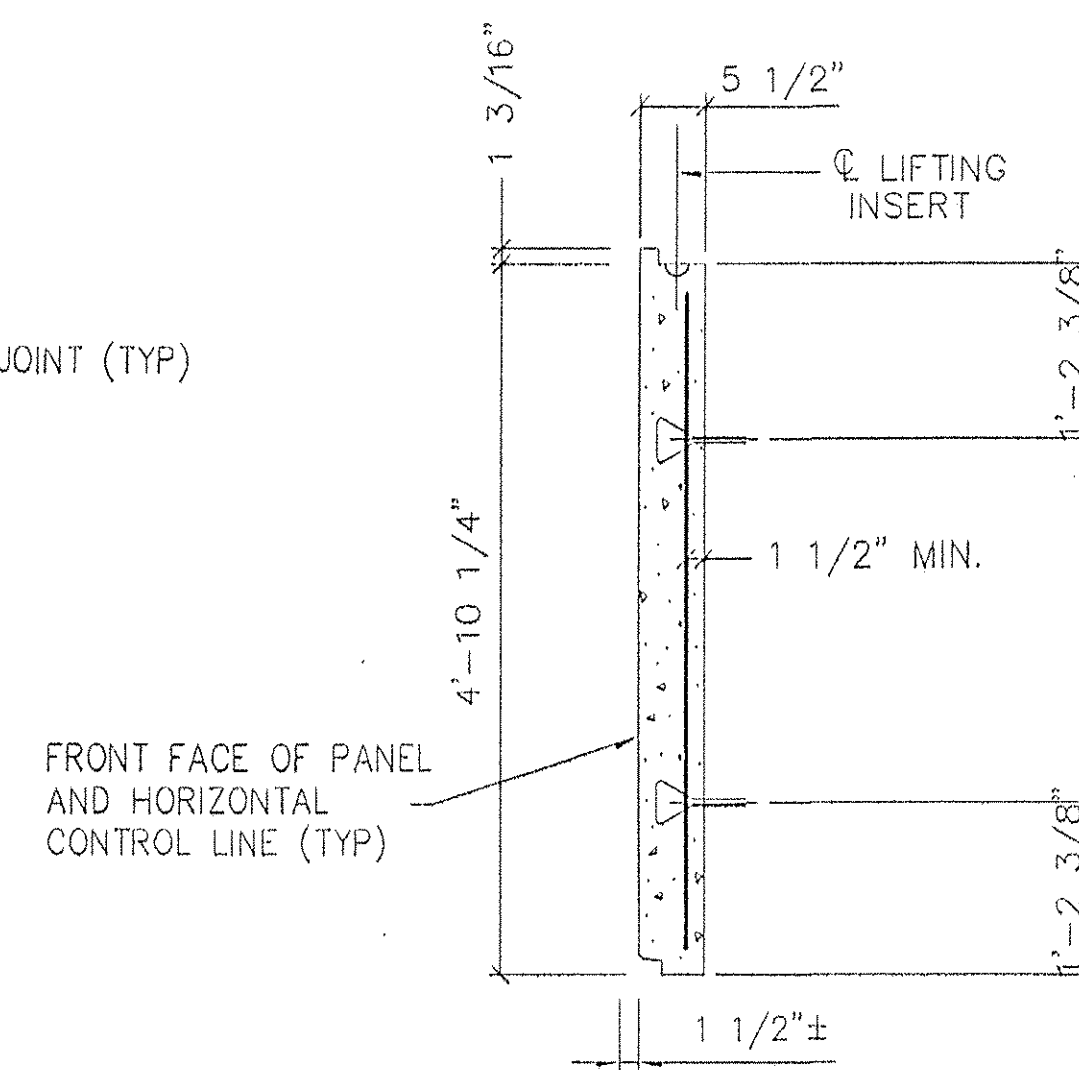


NOTE:
STRIPS OF FILTER CLOTH SHALL BE PLACED ON BACK FACE OF PANEL, OVER PANEL JOINTS. FILTER CLOTH SHALL BE ADHERED TO BACK FACE OF PANELS USING AN ADHESIVE COMPOUND SUPPLIED BY THE REINFORCED EARTH COMPANY.

FILTER CLOTH DETAIL
PARTIAL ELEVATION - BACK FACE
NOT TO SCALE



PANEL TYPE "A"
WITH R6 REINFORCEMENT
FRONT VIEW
NOT TO SCALE

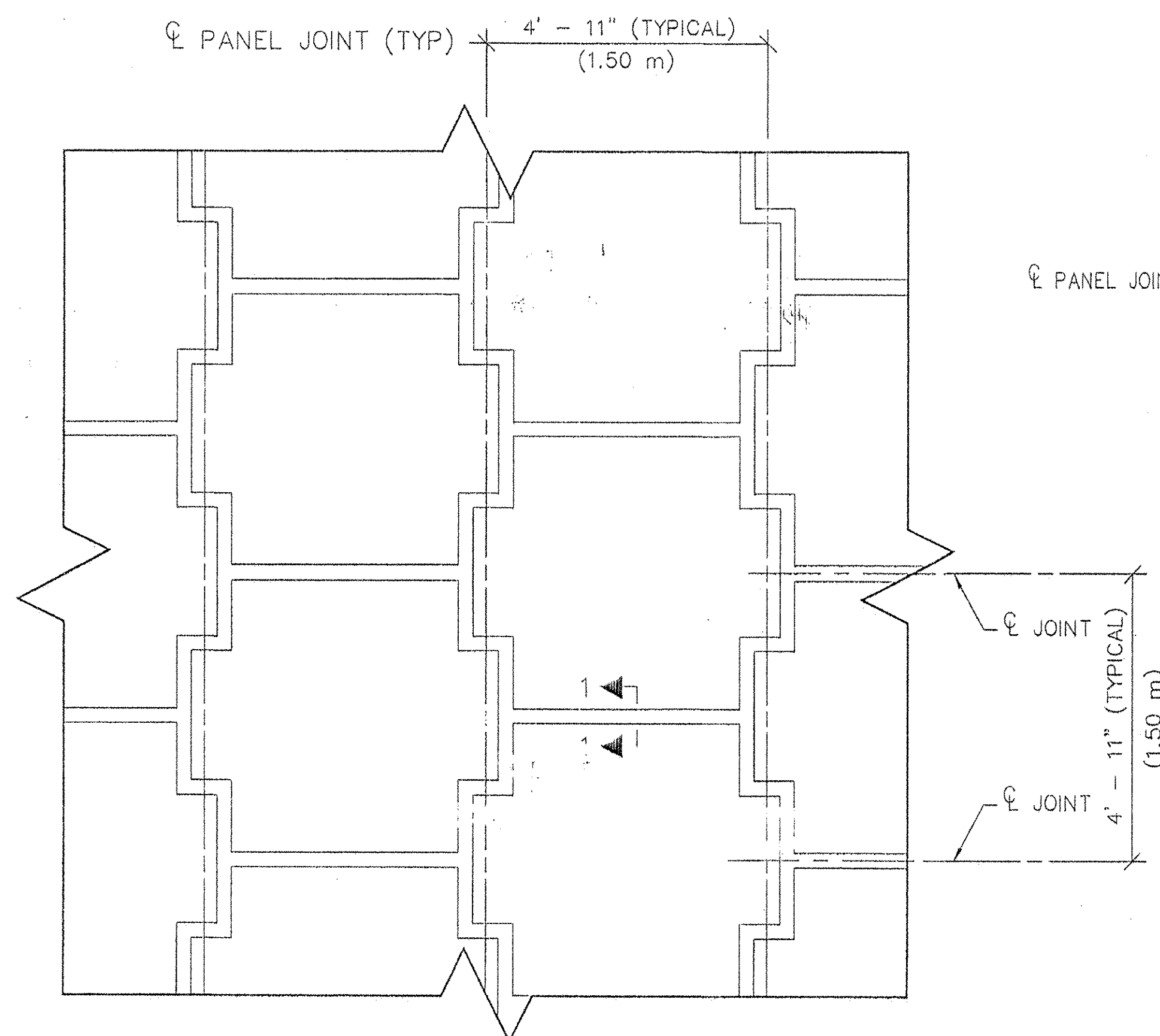


SECTION C-C
NOT TO SCALE

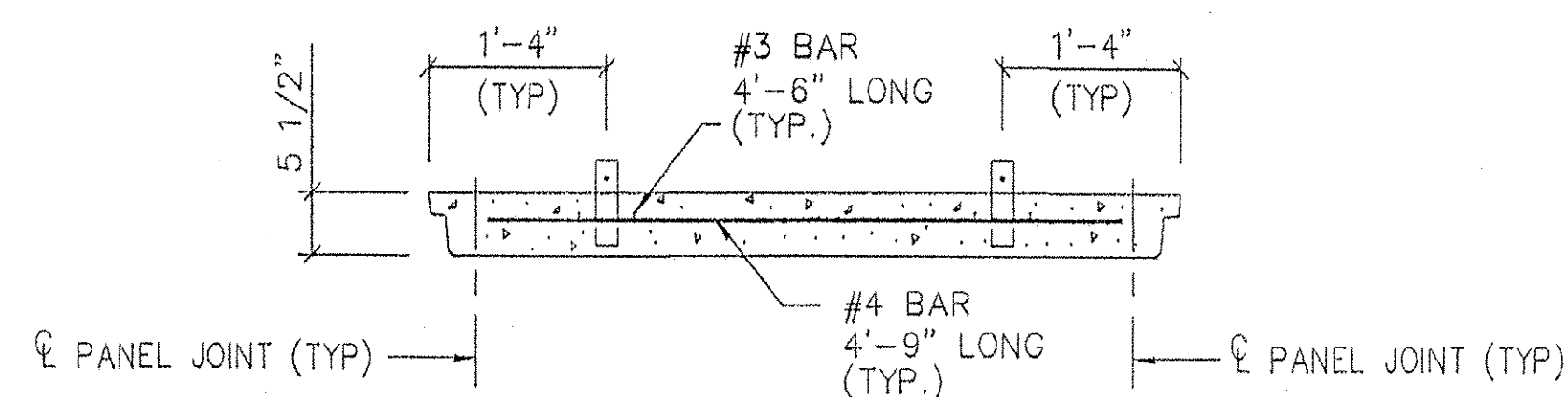
PANEL THICKNESS	REINFORCEMENT DESIGNATION	PANEL REINFORCEMENT	MAXIMUM ALLOWABLE HORIZONTAL STRESS AT FACING (KSF)
5 1/2"	R6	6-#3 VERTICAL 4-#4 HORIZONTAL	1.60
	R7	6-#4 VERTICAL 4-#6 HORIZONTAL	2.55

NOTES:

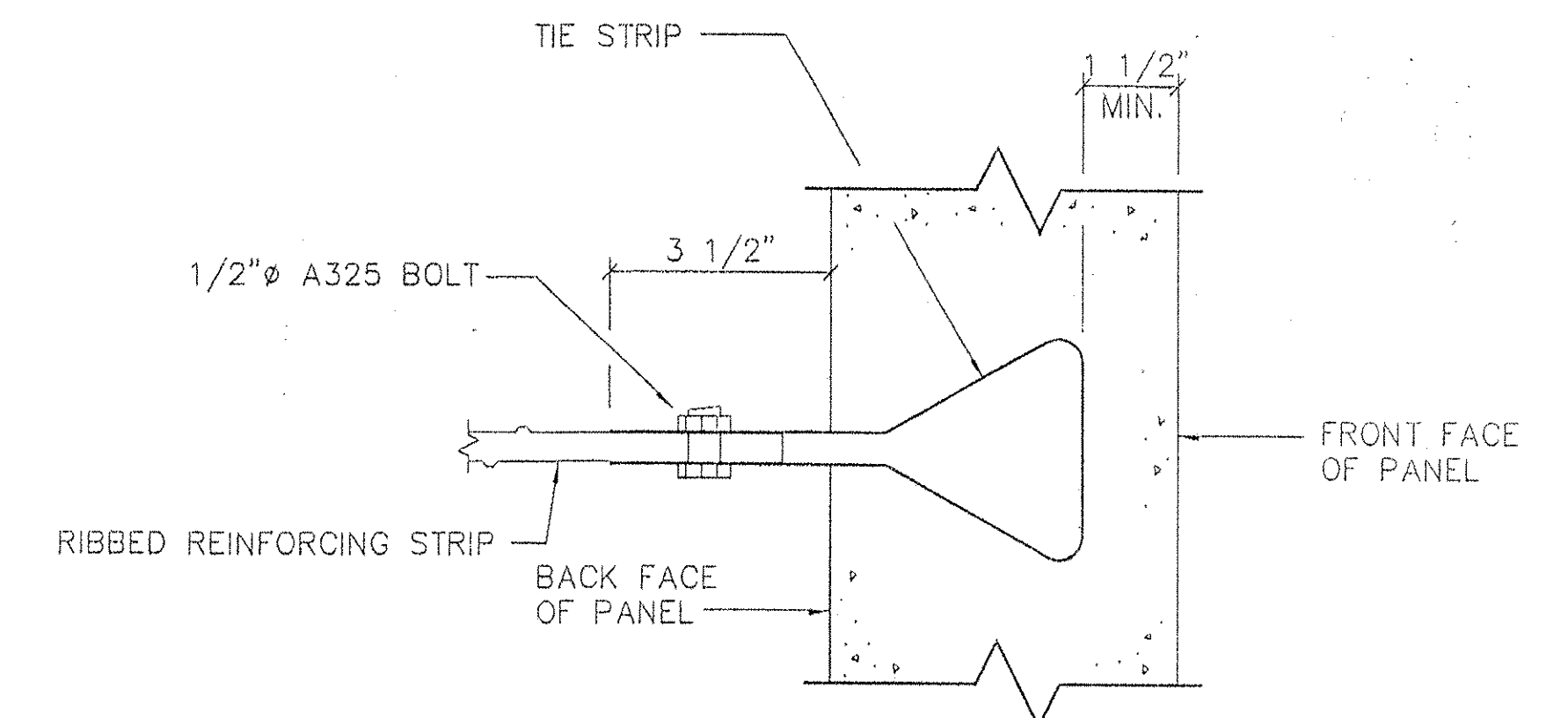
1. REINFORCING STEEL TO BE A615 GRADE 60. (EPOXY COATED)
2. 3/8" x 3/8" CHAMFER SHALL BE PROVIDED ON ALL EXPOSED EDGES (FRONT FACE ONLY).
3. ALL PANEL TYPES AND OTHER RELATED ELEMENTS WILL BE DETAILED ON SHOP DRAWINGS.
4. ALL PANELS SHALL HAVE TWO LIFTING INSERTS OF ONE TON CAPACITY EACH.
5. PANEL DESIGN THICKNESS IS 5 1/2".
6. FACING PANEL FINISH SHALL BE AN ASHLAR STONE FORM LINER FINISH. THE CONCRETE SHALL BE COLORED WITH DYE (BAYFERROX 330; 3.5% - HEAT STABLE).



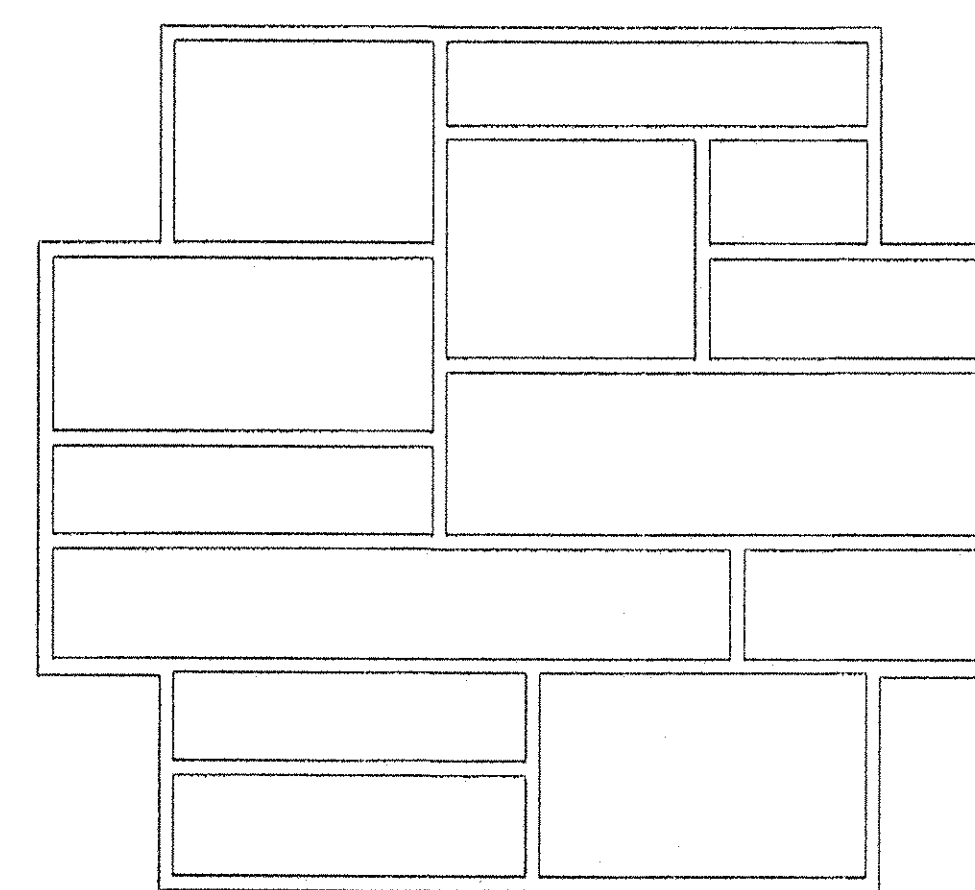
TYPICAL PANEL LAYOUT
PARTIAL ELEVATION - FRONT FACE
NOT TO SCALE



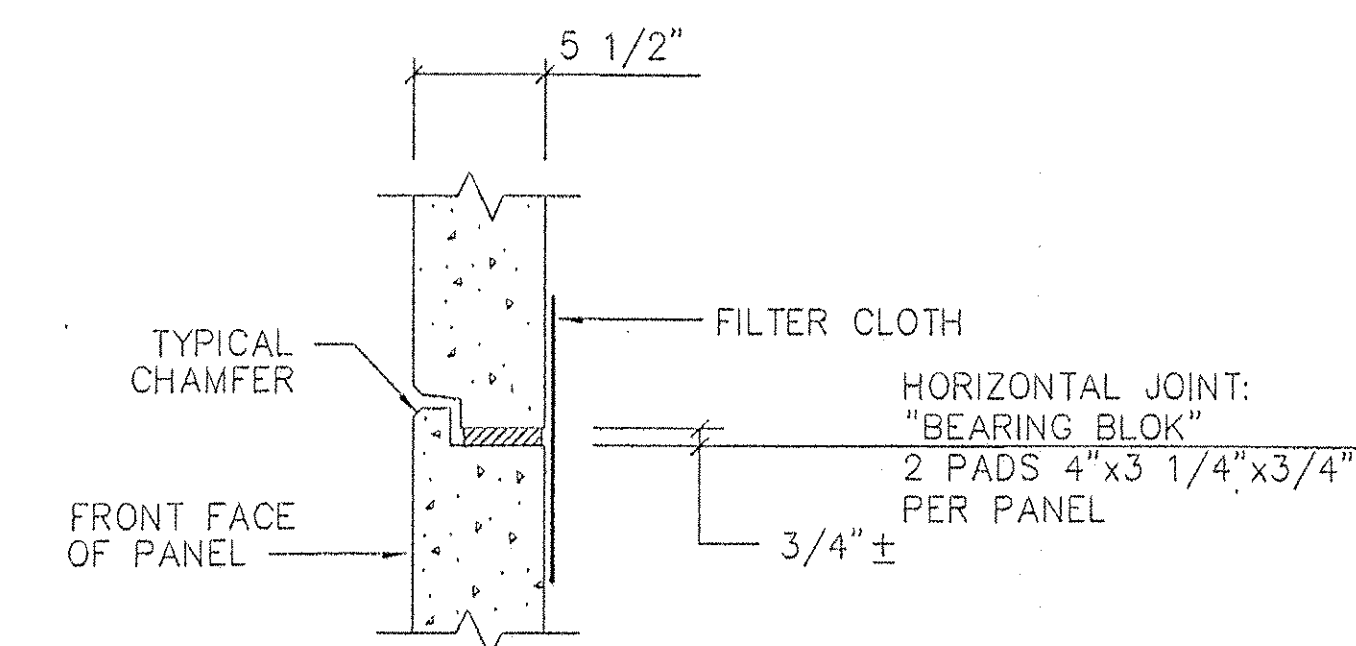
SECTION A-A
NOT TO SCALE



CONNECTION DETAIL
NO SCALE

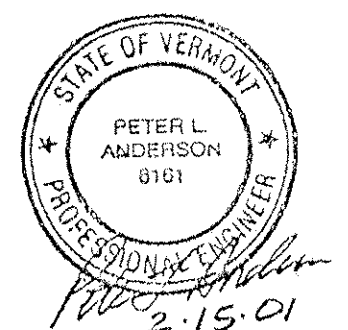


ASHLAR STONE PANEL FINISH
PANEL TYPE A
(LOOKING AT PANEL FACE)



SECTION 1-1

CERTIFIED WITH RESPECT TO THE INTERNAL STABILITY OF REINFORCED EARTH STRUCTURES ONLY



This drawing contains information proprietary to The Reinforced Earth Company, and is being furnished for the use of VERMONT AGENCY OF TRANSPORTATION only in connection with this project, and the information contained herein is not to be transmitted to any other organization unless specifically authorized in writing by The Reinforced Earth Company. The Reinforced Earth Company is exclusive licensee in the United States under patents issued to Henri Vidal, and the furnishing of this drawing does not constitute an expressed or implied license under the Vidal patents.

The design contained on these drawings is based on information provided by the owner. On the basis of this information, The Reinforced Earth Company has designed, and is responsible for the internal stability of the structure only. External stability, including foundation (bearing capacity and settlement) and slope (global) stability, is the responsibility of the owner.

The Reinforced Earth Company
6614 Westwood Center Drive Suite 1100, Vienna, Virginia 22182 (703) 821-1175
"REINFORCED EARTH" is the registered trademark of The Reinforced Earth Company.

DESIGNED BY: KPB	PROJECT ENGR: KPB	CHECKED BY: PLA	ENG. MANAGER	REV.	DATE	DESCRIPTION	PROJECT NAME FAIRFAX-FAIRFIELD-ST. ALBANS I-89 OVER VT 104	DATE 2-15-01
							LOCATION FAIRFAX-FAIRFIELD-ST. ALBANS VERMONT	CONTRACT NO. 9360
							OWNER VT AOT	DRAWING NO. 6 OF 6
							DRAWING COVERS STANDARD PANEL DETAILS 409MSE AS SHOWN	SCALE

C:\9360\9360_D2.DWG