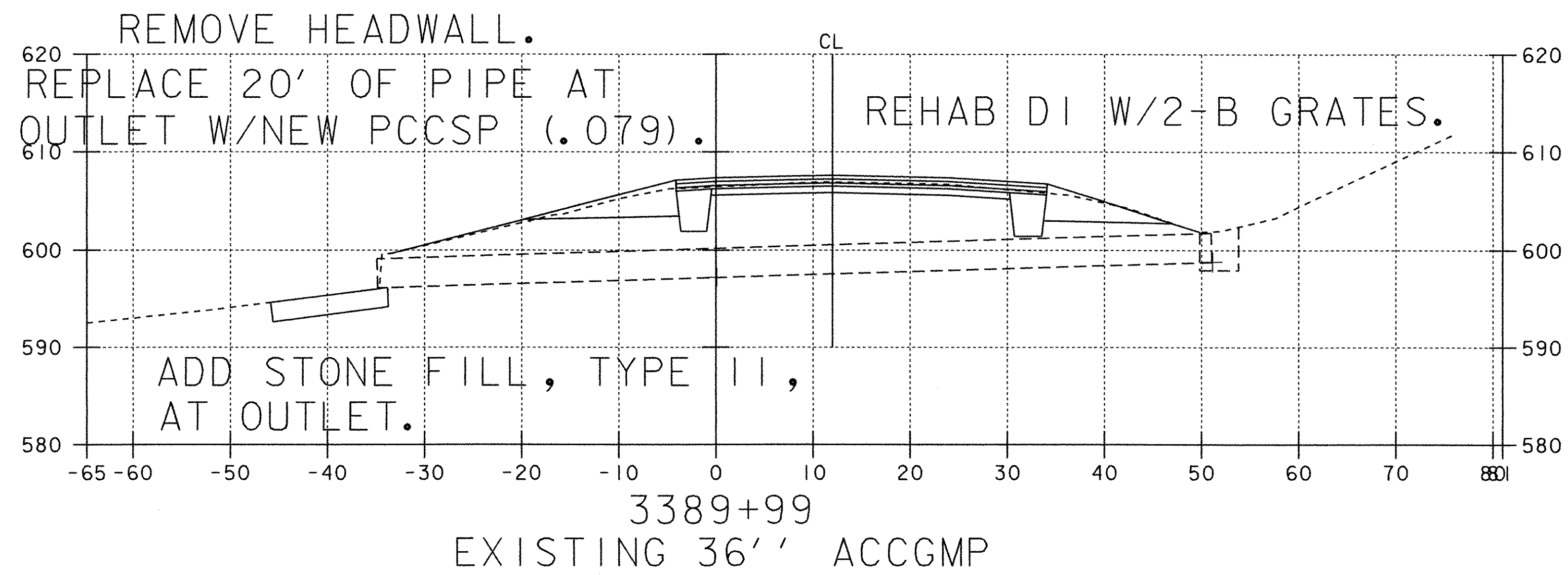
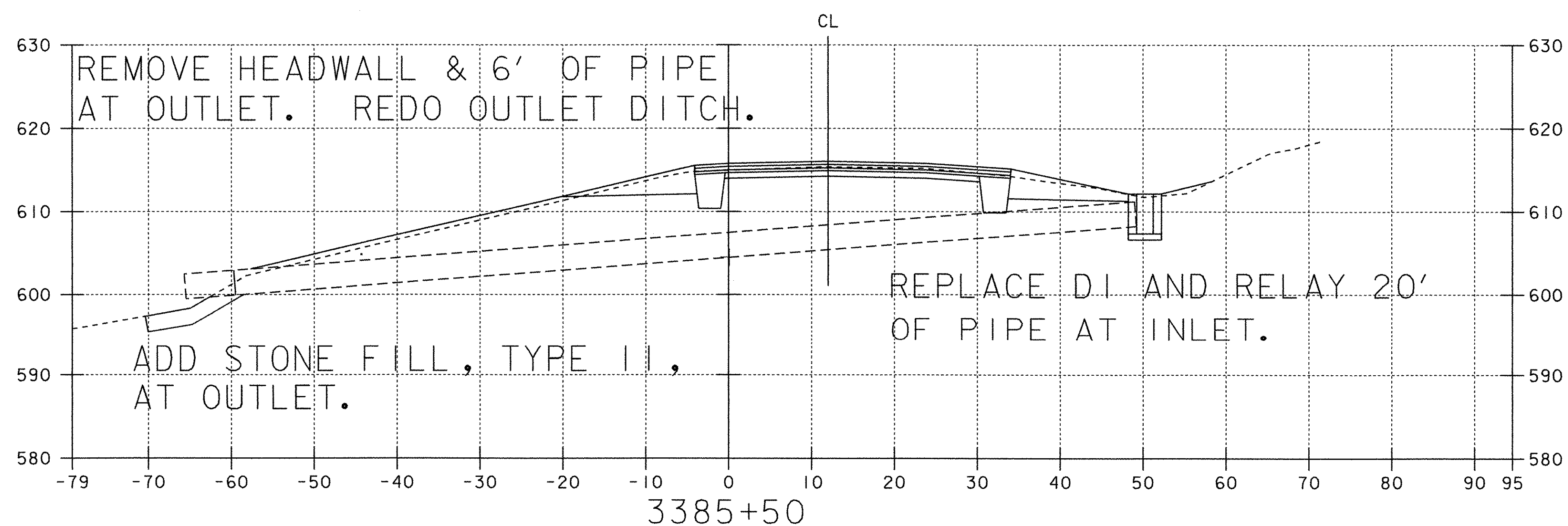


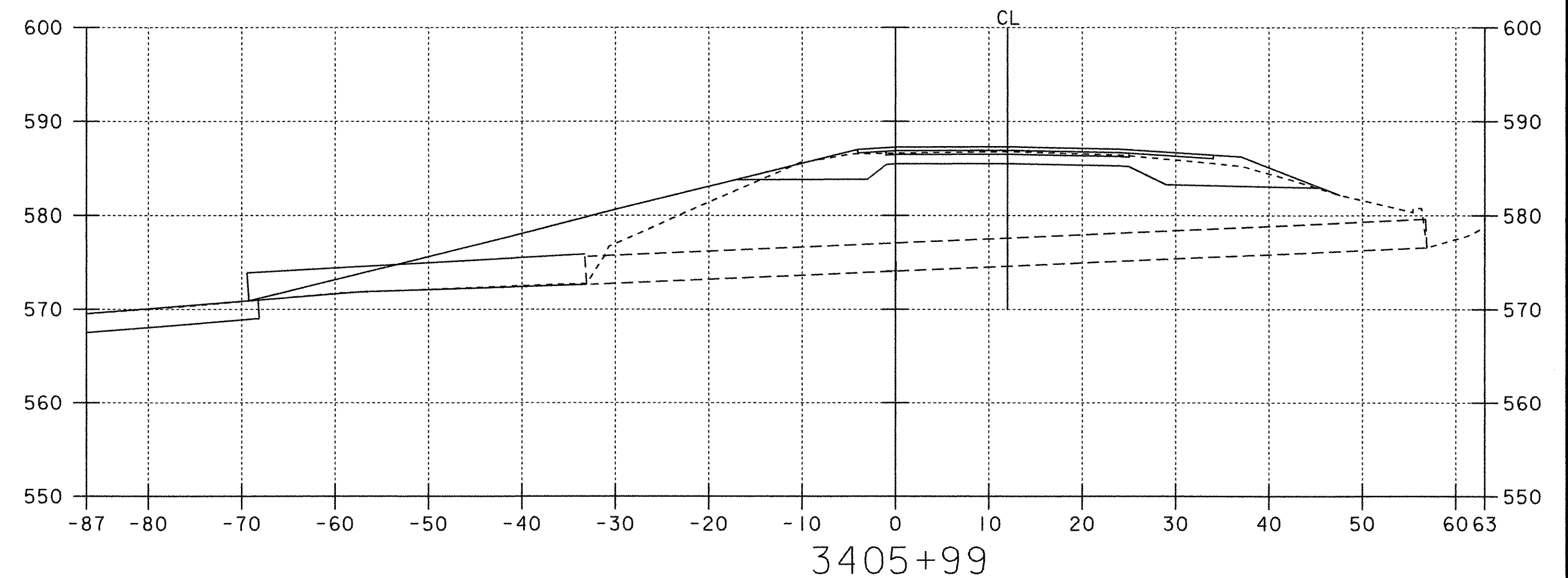
3395+77.05  
EXISTING 60'' ACCGMP (REFER TO BRIDGE SERIES 300)



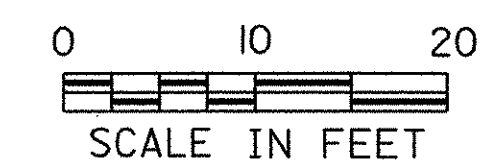
3389+99  
EXISTING 36'' ACCGMP



3385+50  
EXISTING 36'' ACCGMP  
NORTHBOUND DRAINAGE CROSS SECTIONS



3405+99  
EXISTING 36'' RCP  
EXTEND EXISTING 36'' RCP AT OUTLET  
W/NEW 36' X 36'' RCP, CL III.  
LINE DITCH BETWEEN CULVERTS WITH  
STONE FILL, TYPE II



PROJECT: FAIRFAX - FAIRFIELD - ST. ALBANS	PROJECT NO.: IM 089-3(27)
DESIGN FILE NAME: /87A007B/DESIGN/DA007DXS.DGN	PLOT DATE: 03-OCT-2000
IPARM FILE NAME: DA007X69	SURVEY DATE: 6/98
SURVEYED BY: ORVIS	DRAWN BY: SQUAD B
SQUAD LEADER: DELLA SANTA	SHEET: 367 OF 370