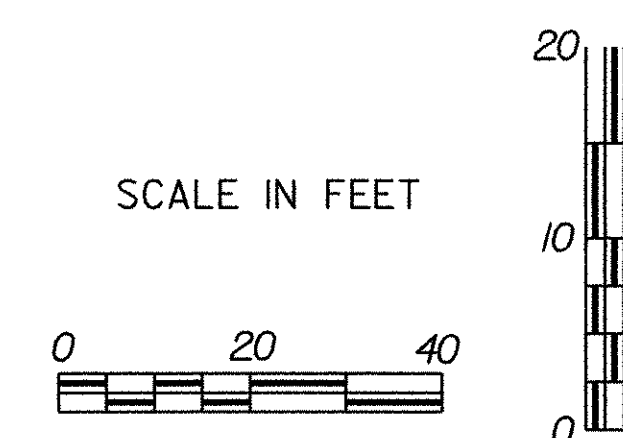


Southbound Crossover Exit Profile To Ramp D

DATUM	
VERTICAL	ASSUMED
HORIZONTAL	ASSUMED



PROJECT: FAIRFAX-FAIRFIELD-ST. ALBANS		PROJECT NO.: IM 089-3(27)
DESIGN FILE NAME: /87A007B/DESIGN/DA007SBC.DGN	PLOT DATE: 19-AUG-2000	
IPARM FILE NAME: DA007SBP	SURVEY DATE: 11/95	
SURVEYED BY: GILMAN	DRAWN BY: SQUAD B	
SQUAD LEADER: DELLA SANTA	SHEET: 270 OF 370	