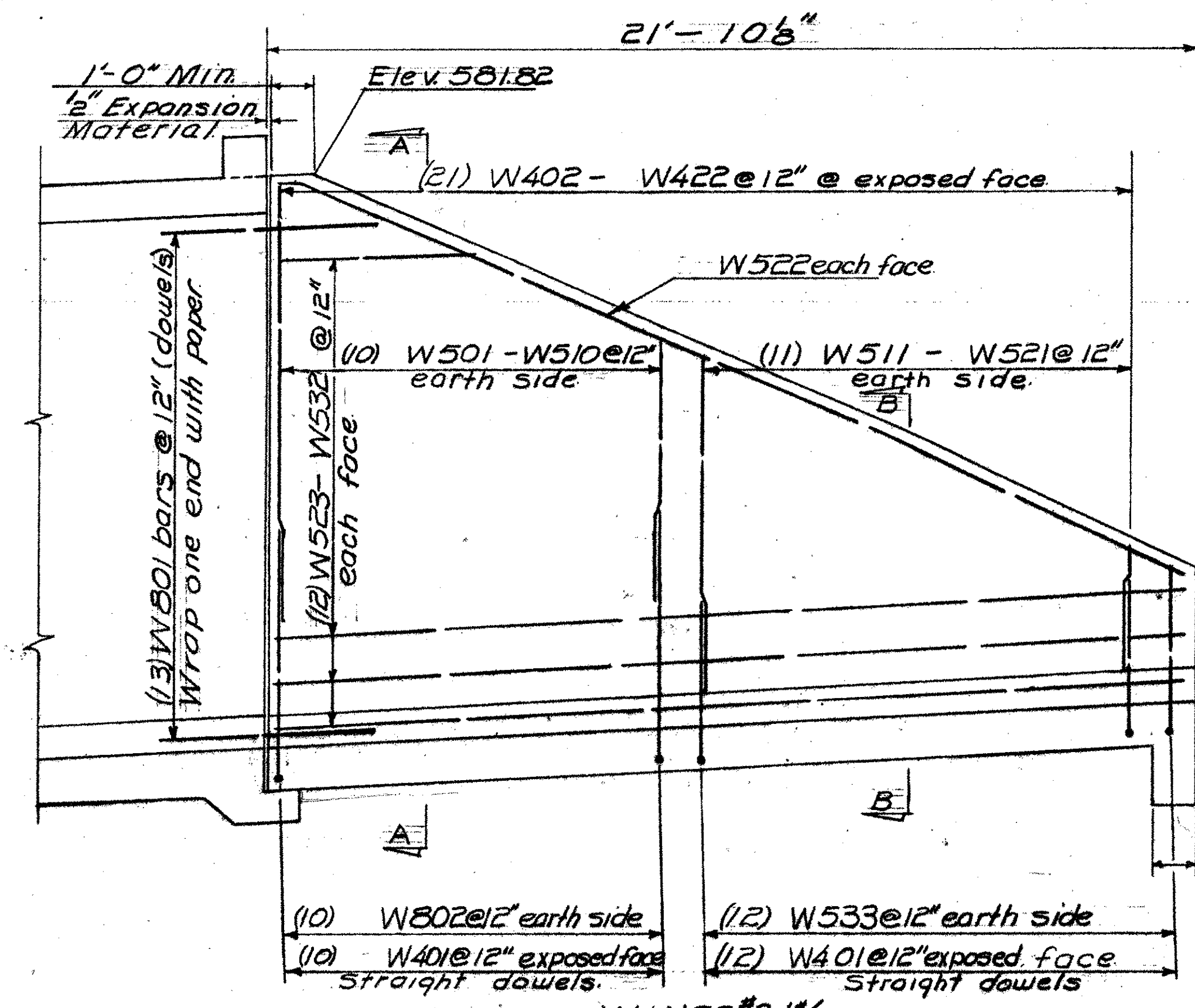
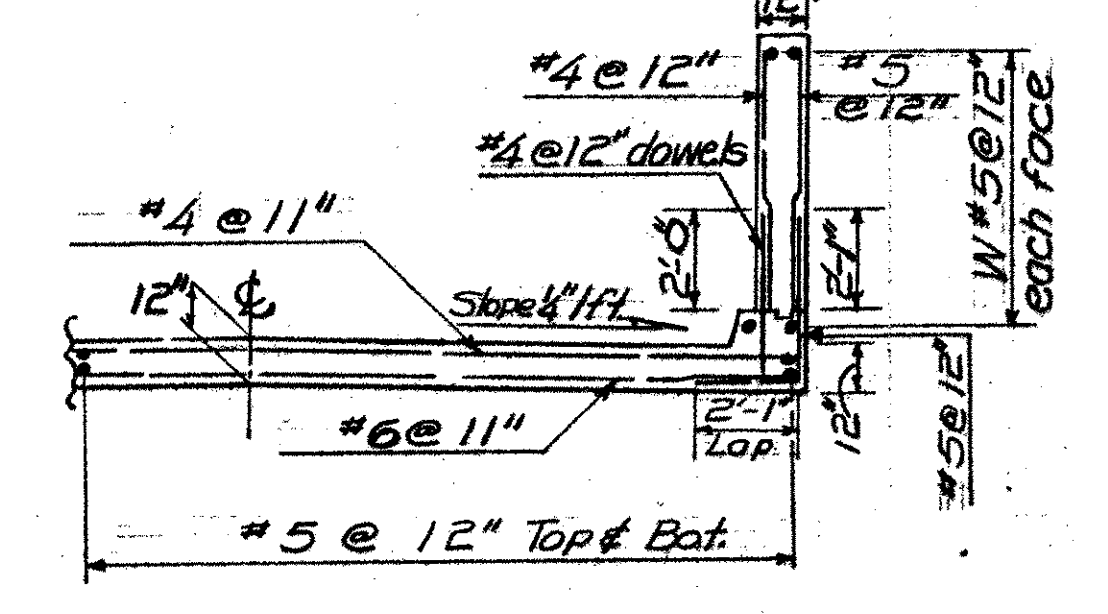


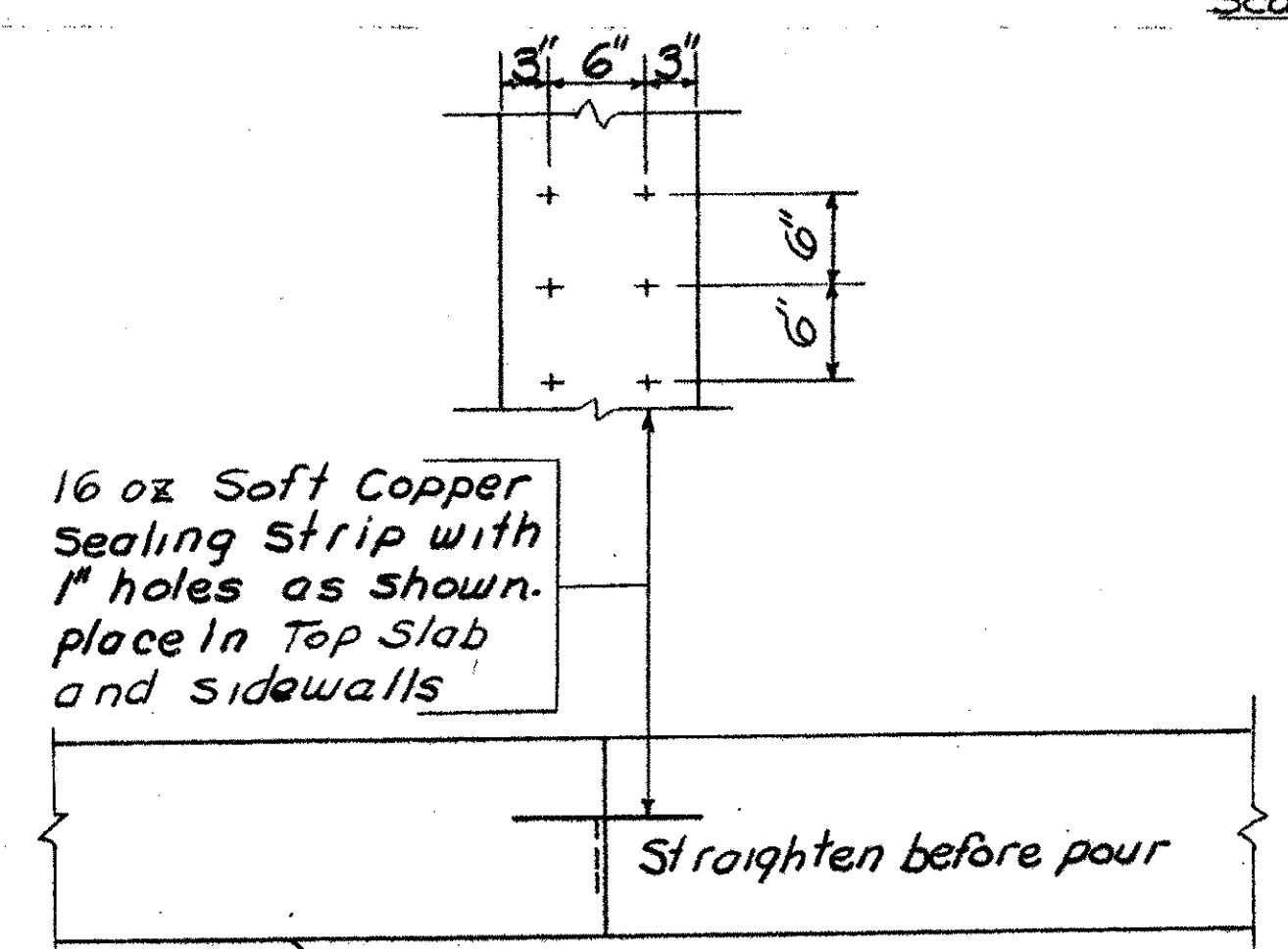
WINGS #14#2  
Scale: 3/8" = 1'-0"



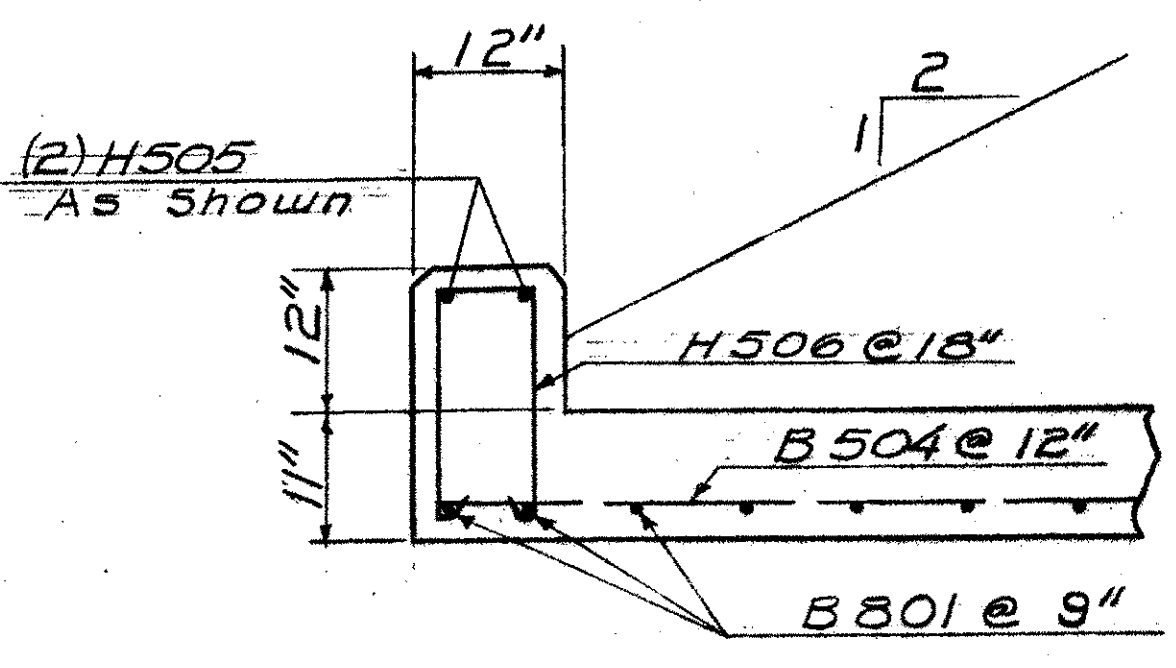
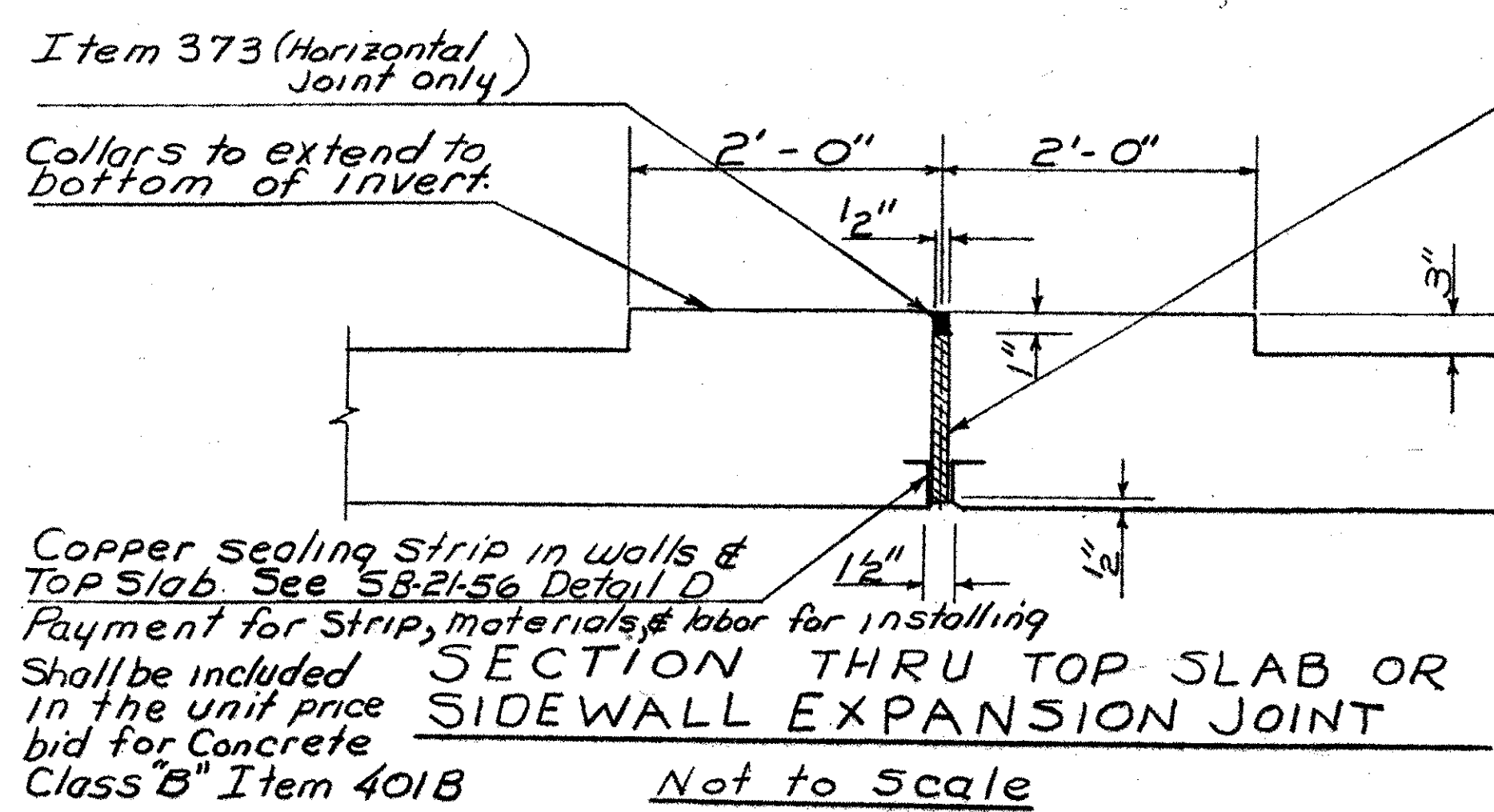
WINGS #3#4  
Scale: 3/8" = 1'-0"



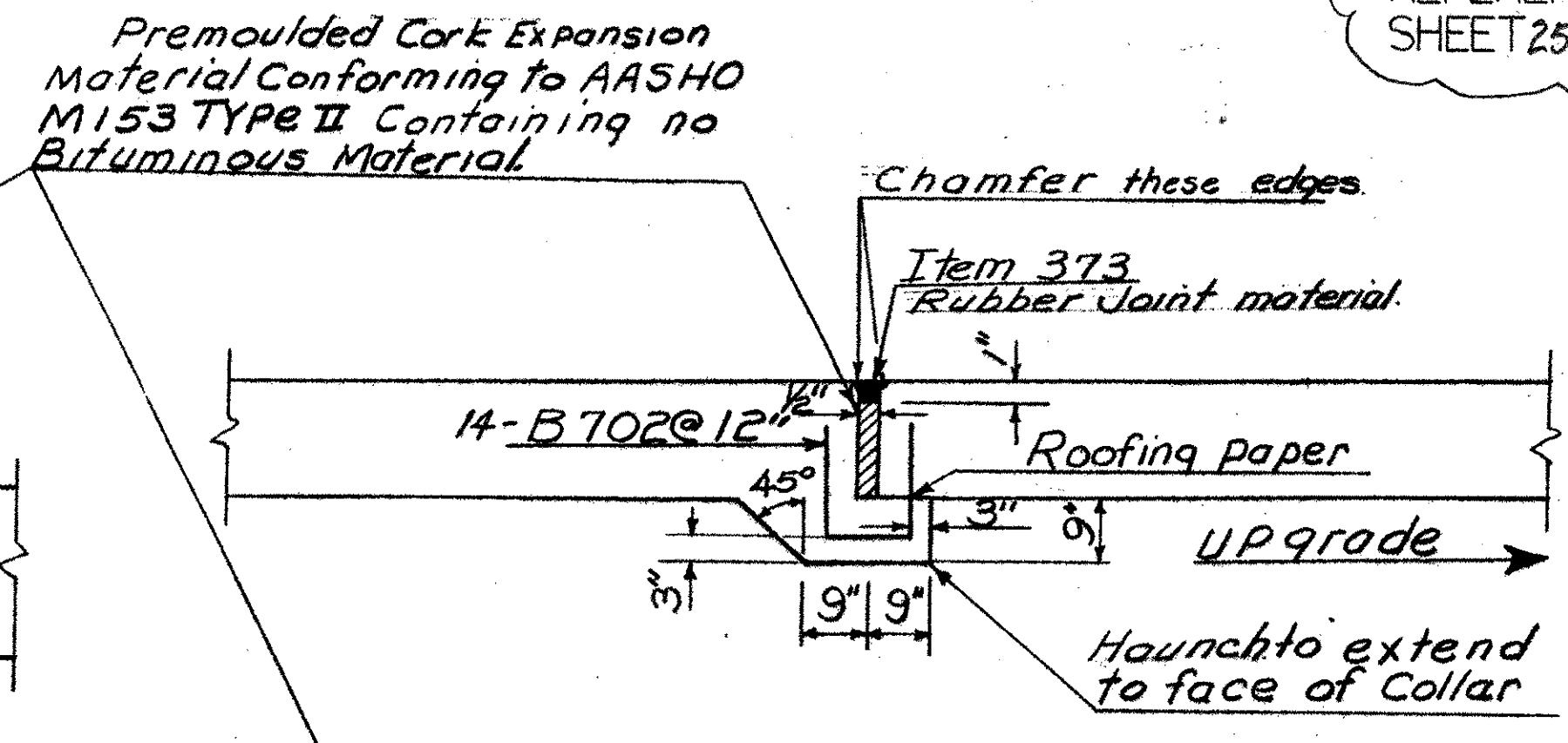
SECTION B-B  
Scale: 4" = 1'-0"



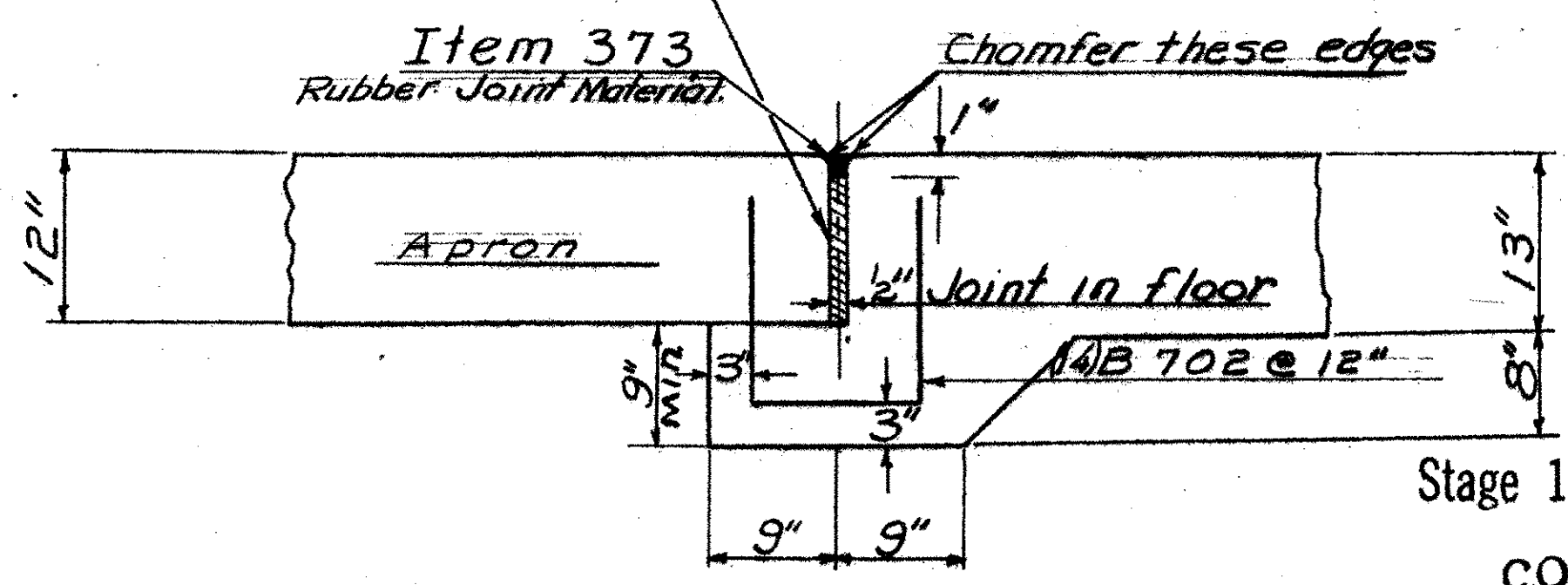
CONSTRUCTION JOINT DETAIL  
Scale: 1" = 1'-0"



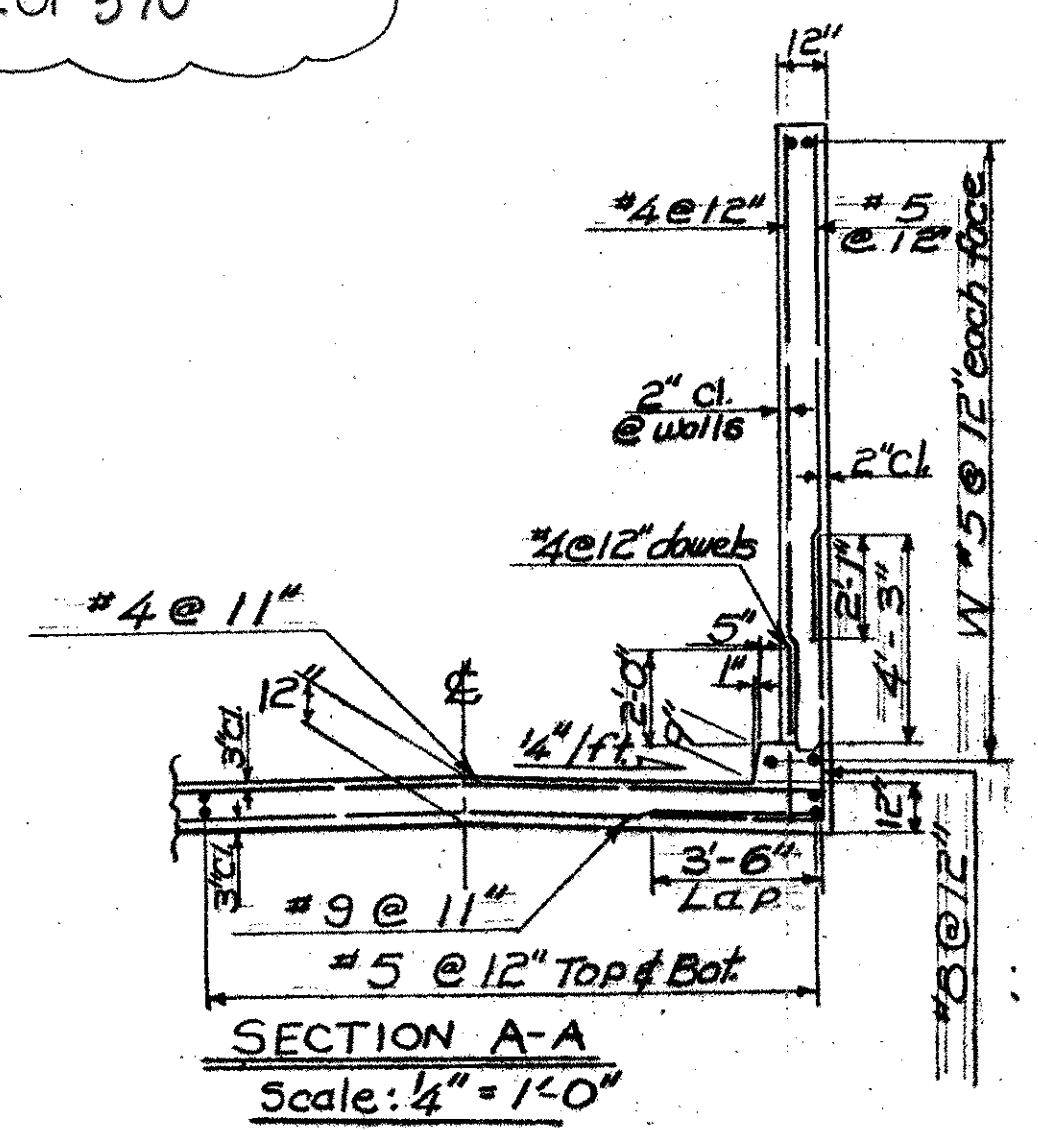
HEADER DETAIL  
Scale: 3/4" = 1'-0"



SECTION THRU EXPANSION JOINT ACROSS INVERT  
Not to scale



EXPANSION JOINT DETAIL AT APRONS  
Scale: 1" = 1'-0"



SECTION A-A  
Scale: 4" = 1'-0"

BRIDGE SHEET BR508  
REFERENCE SHEET 3 OF 3  
SHEET 252 OF 370

STATE OF VERMONT  
DEPARTMENT OF HIGHWAYS  
GEORGIA-FAIRFAX  
TOWN OF FAIRFIELD-ST. ALBANS  
ROUTE No. I 89 Log Sta.  
Wingwall Details & Section  
& Detail Drawings  
SCALE As Noted  
SURVEYED BY Gamsky, Millette & Spaulding  
DRAWN BY G.E.H. CHECKED BY R.P.G.  
S4:BG PROJECT NO I 89-3(35) Cont # 2  
SHEET 212 OF 461  
BR-302

Stage 1 Construction  
CONTRACT 2