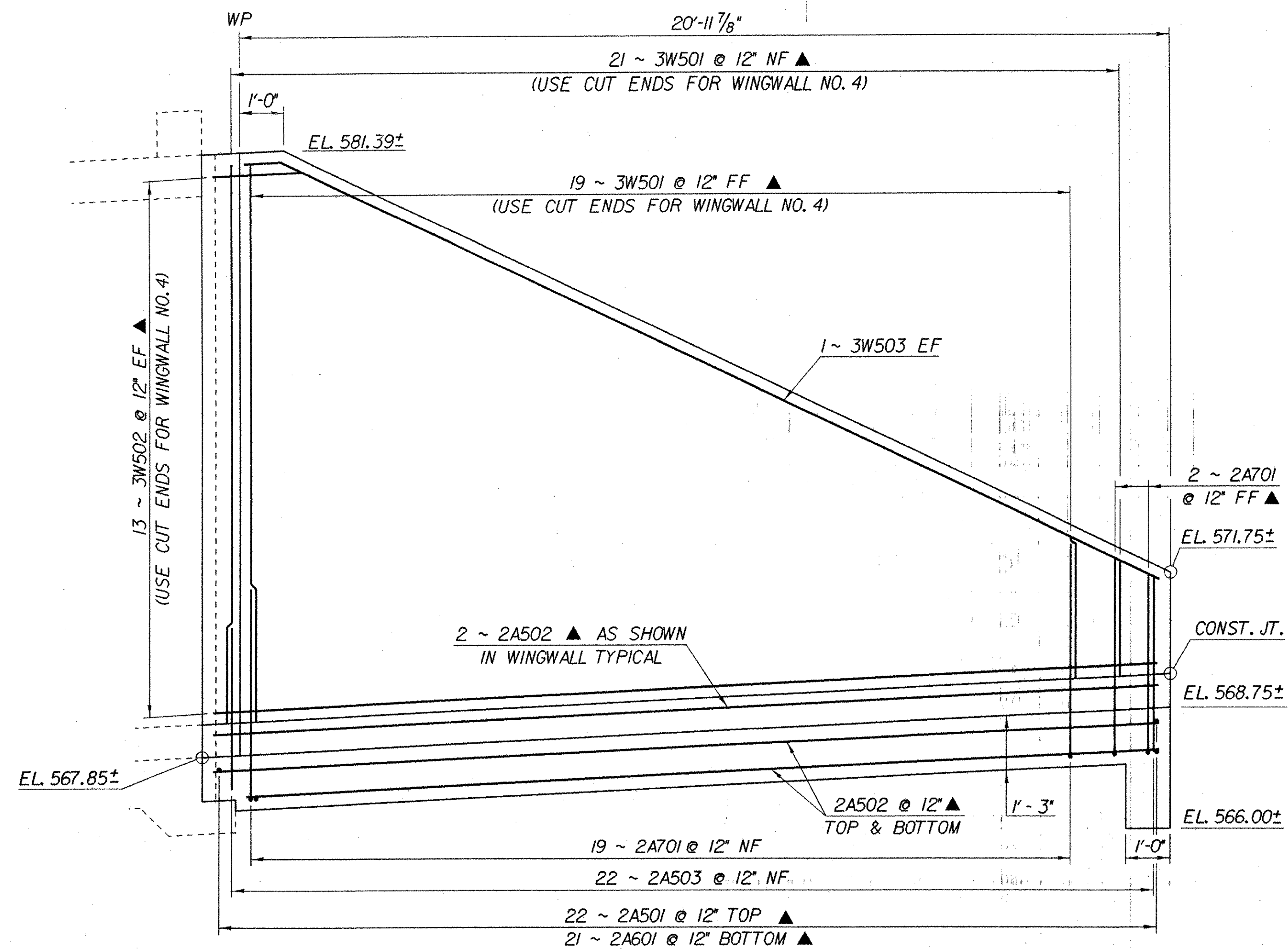


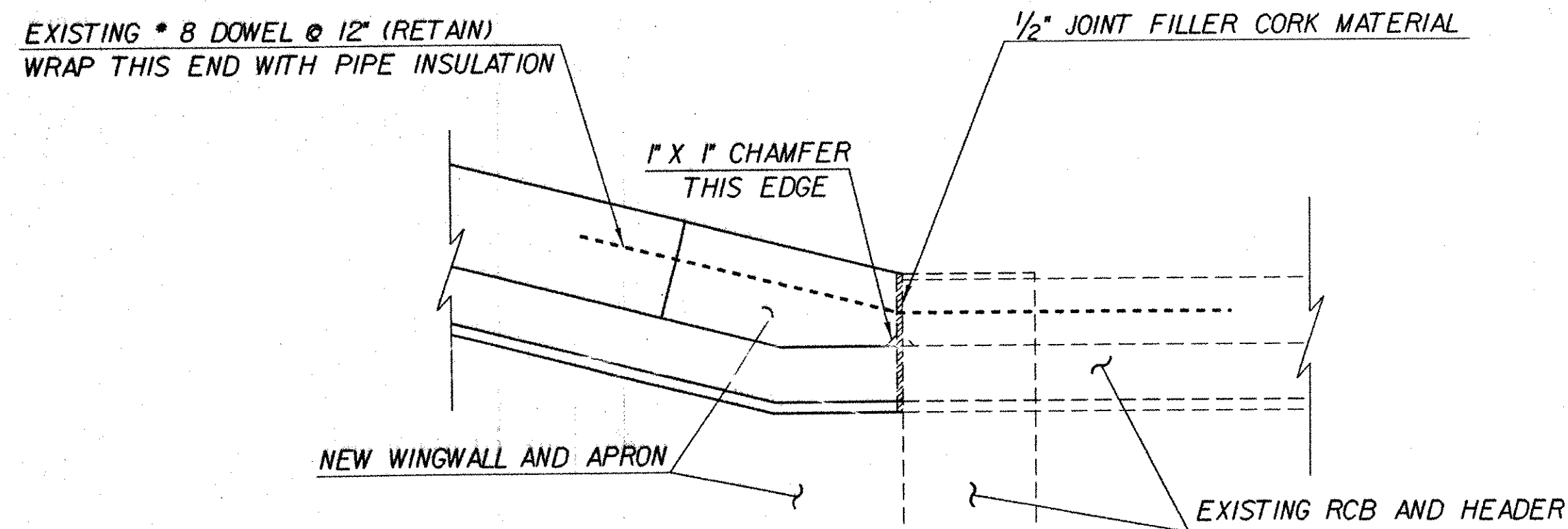
**WINGWALL NO. 1 ELEVATION**

(WINGWALL NO. 2 SIMILAR)  
SCALE: 1/2" = 1'-0"



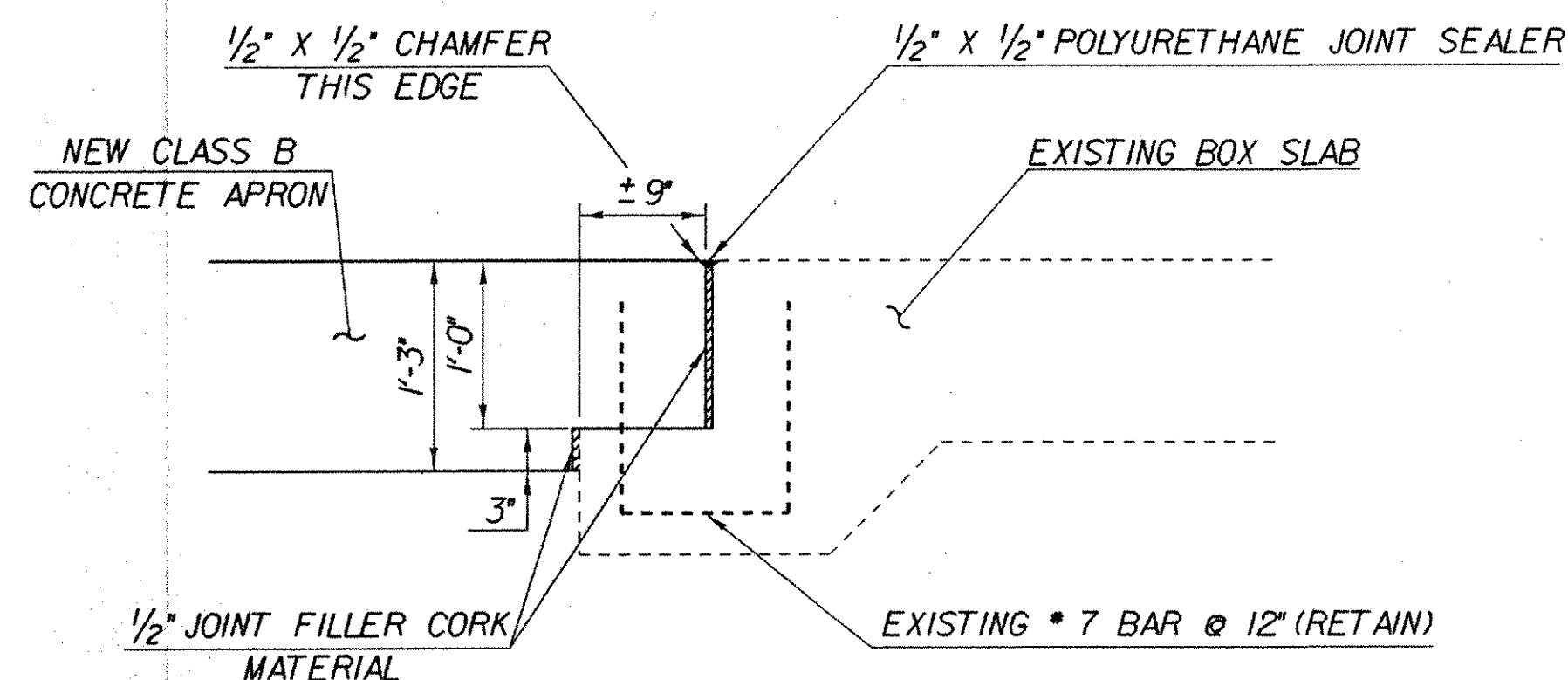
**WINGWALL NO. 3 ELEVATION**

(WINGWALL NO. 4 SIMILAR)  
SCALE: 1/2" = 1'-0"



**WINGWALL - RCB CORNER DETAIL**

SCALE: 1" = 1'-0"



**EXPANSION JOINT DETAIL @ APRONS**

SCALE: 1" = 1'-0"

**IMPORTANT NOTE: BRIDGE FINISHED GRADES ARE CENTERLINE GRADES.**

NOTE: POLYURETHANE JOINT SEALER SHALL MEET THE REQUIREMENTS OF SUBSECTION 707.05 OF THE STANDARD SPECIFICATIONS. PAYMENT FOR THE JOINT SEALER, ALL CORK EXPANSION MATERIAL, AND THEIR PLACEMENT SHALL BE MADE SUBSIDIARY TO ITEM 501.25, "CONCRETE, CLASS B".

**NOTE:**  
NF = NEAR FACE  
FF = FAR FACE  
EF = EACH FACE  
▲ = CUT TO FIT IN FIELD  
3" CLR. UNLESS OTHERWISE SPECIFIED ON THE PLANS.

**STATE OF VERMONT AGENCY OF TRANSPORTATION**

Town Of <b>FAIRFAX-FAIRFIELD - ST. ALBANS</b>	Bridge No. 88-3
Highway No. 1-89	Log Sta. Surv. Sta.
<b>1-89 OVER REINFORCED CONCRETE BOX 88-3 WINGWALL ELEVATIONS</b>	
Designed By P. PERRY	Drawn By K. CHISHOLM
Checked By P. PERRY	Bridge Design Supervisor R. R. WHITCOMB
Date 02/00	Date 02/00
PROJECT <b>FAIRFAX-FAIRFIELD - ST. ALBANS</b>	PROJECT NO. <b>1 M 089 - 3 ( 27 )</b>
I.G.C. Info. 96a056structures\sa056a4.dgn	sa056a4j
Bridge Sheet No. BR504	Sheet <b>248</b> of <b>370</b>