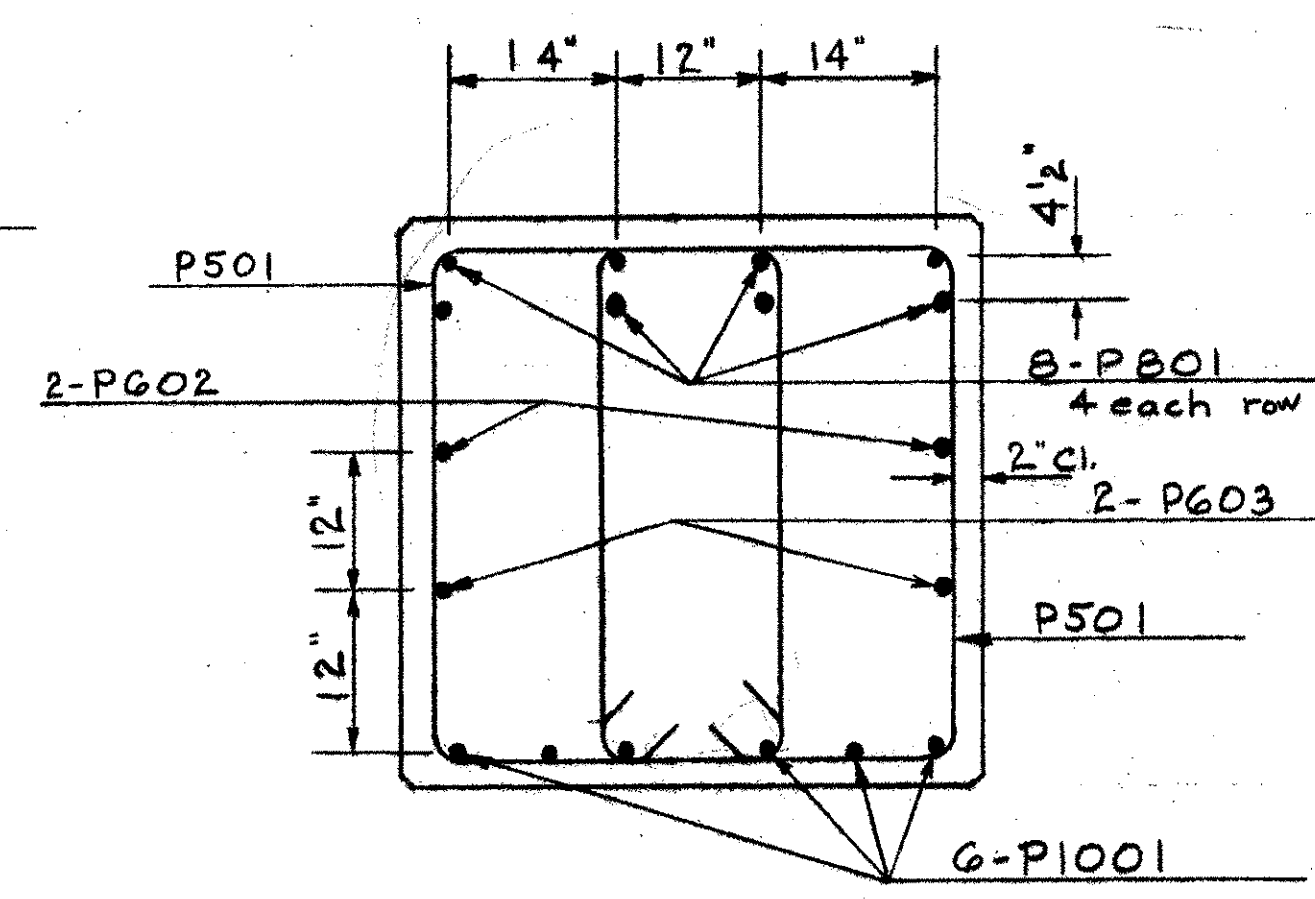
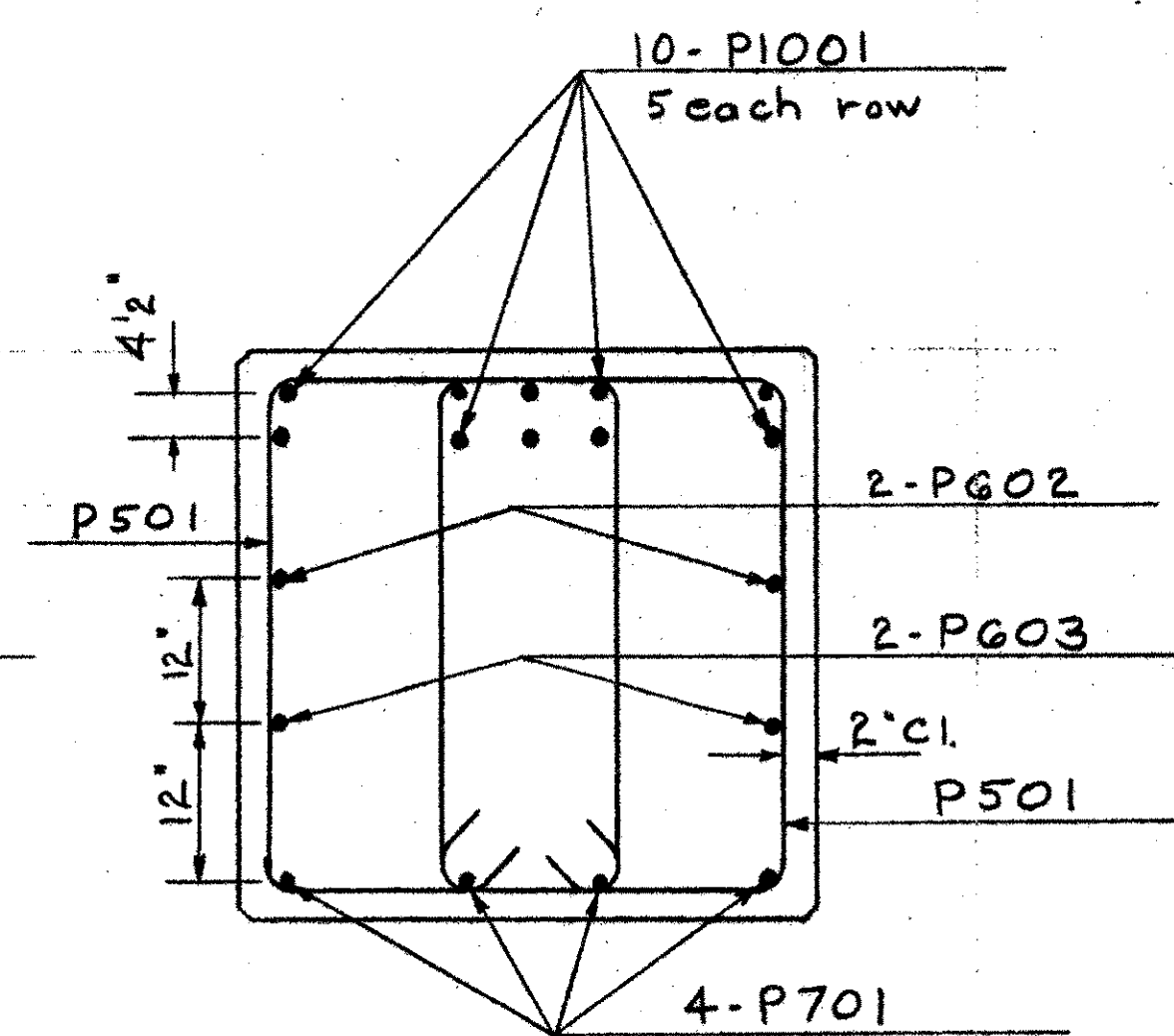


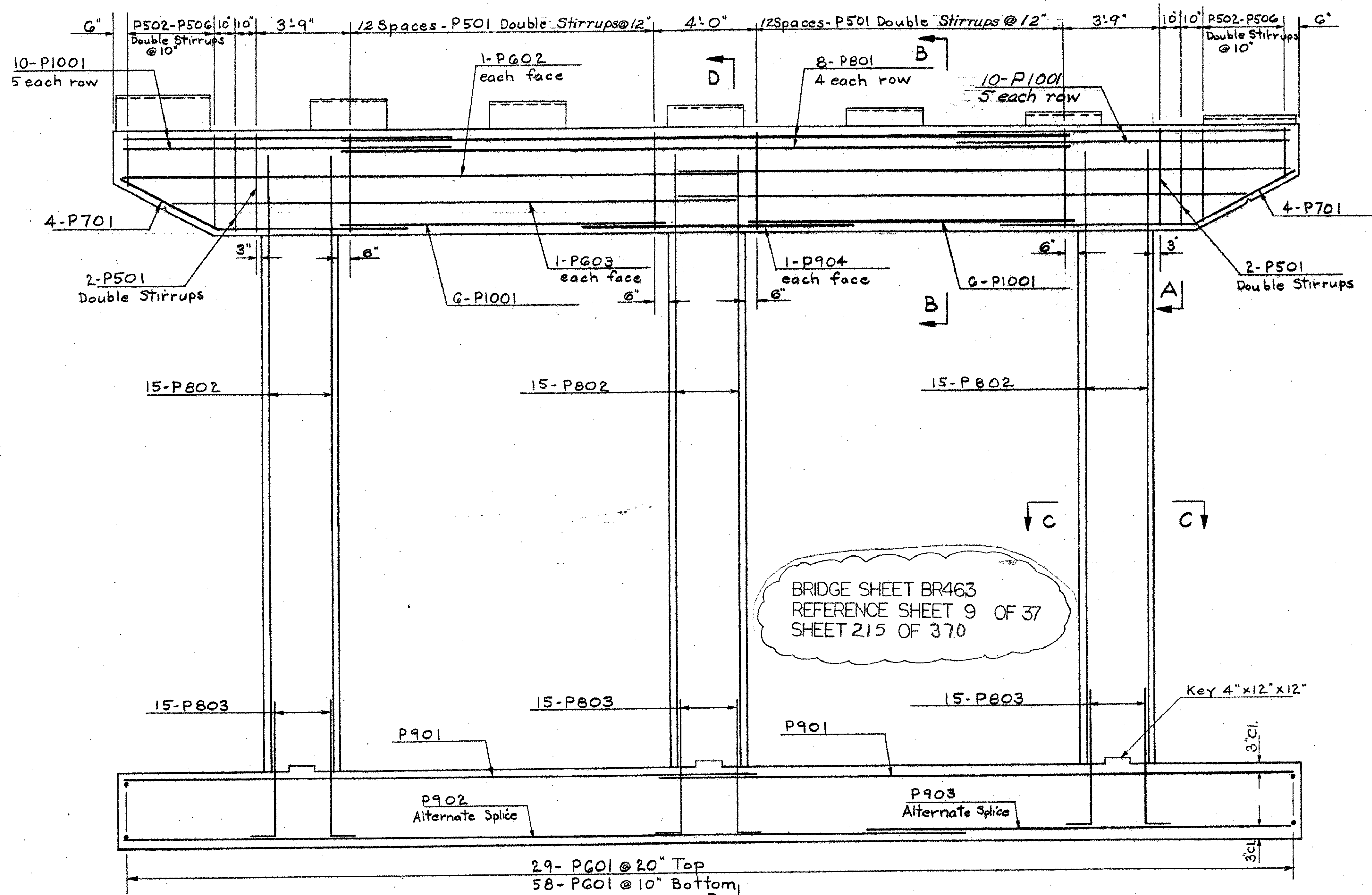
Cap Reinforcing Plan
Scale $\frac{3}{8}'' = 1'-0''$



Section A-A
Scale $\frac{3}{4}'' = 1'-0''$

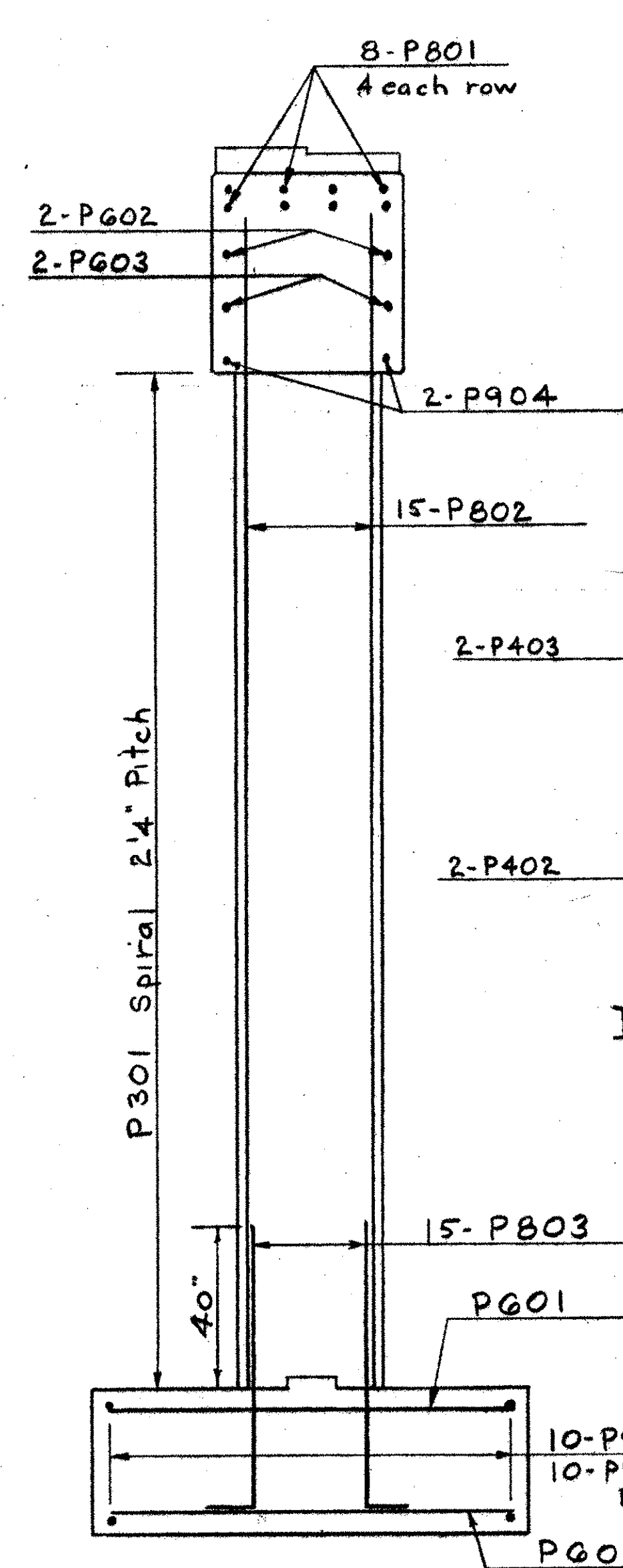


Section B-B
Scale $\frac{3}{4}'' = 1'-0''$

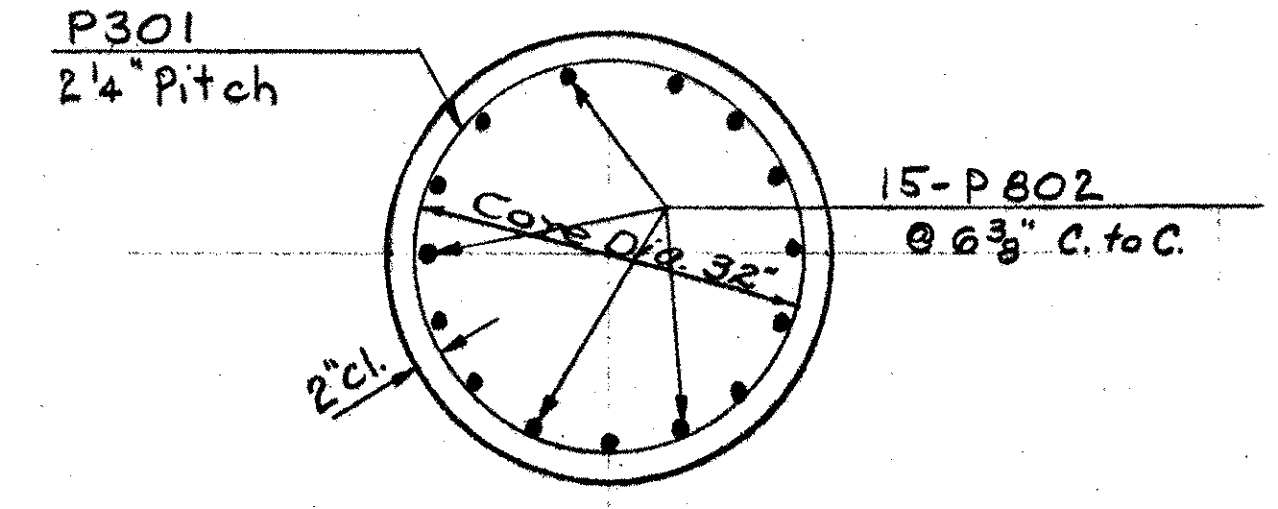


BRIDGE SHEET BR463
REFERENCE SHEET 9 OF 37
SHEET 215 OF 370

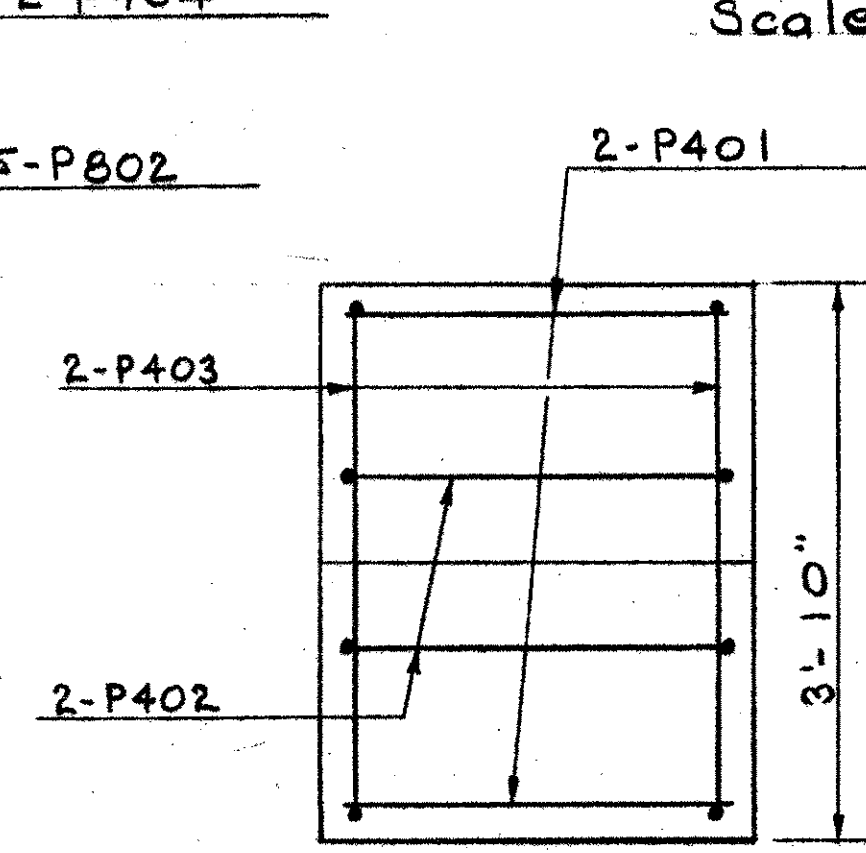
Elevation
Scale $\frac{3}{8}'' = 1'-0''$



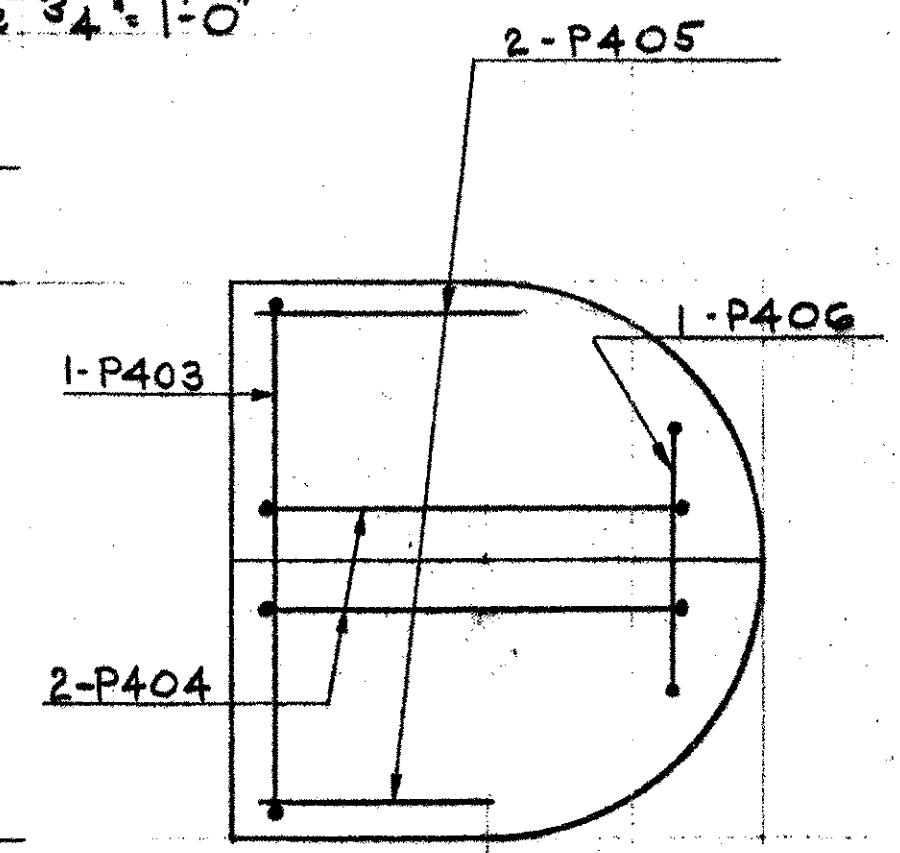
Section D-D
Scale $\frac{3}{8}'' = 1'-0''$



Section C-C
Scale $\frac{3}{4}'' = 1'-0''$



Interior Pad
Scale $\frac{3}{4}'' = 1'-0''$



Exterior Pad
Scale $\frac{3}{4}'' = 1'-0''$
Stage 1 Construction

CONTRACT 2

STATE OF VERMONT
DEPARTMENT OF HIGHWAYS

Georgia - Fairfax -
TOWN OF Fairfield - ST. Albans

ROUTE No. I 89 LOG STA. _____
Pier #3 & #4 Reinforcing Steel
I 89 over Approach Road
SCALE As Noted

DRAWN BY A.J.C. CHECKED BY J.J.C.
PROJECT NO. I 89-3(35) Cont. #2
SHEET 204 OF 467