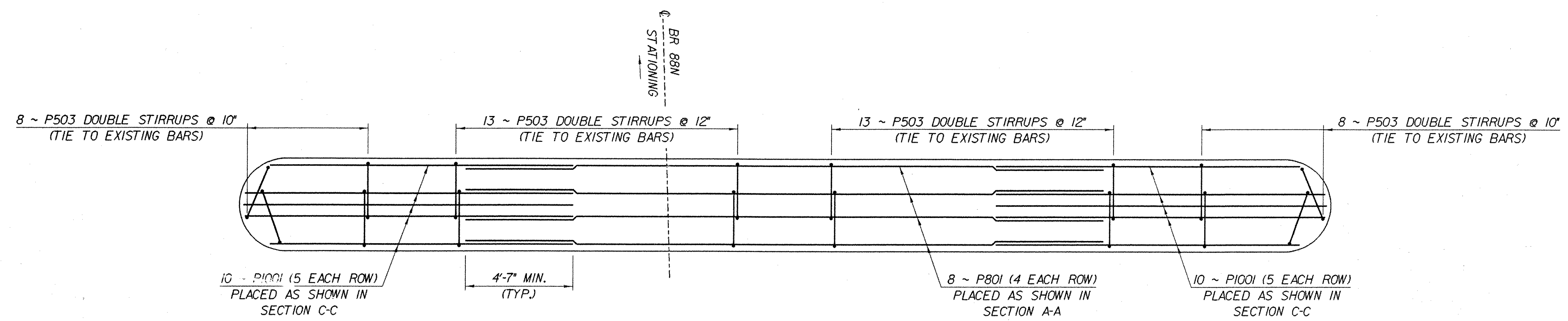
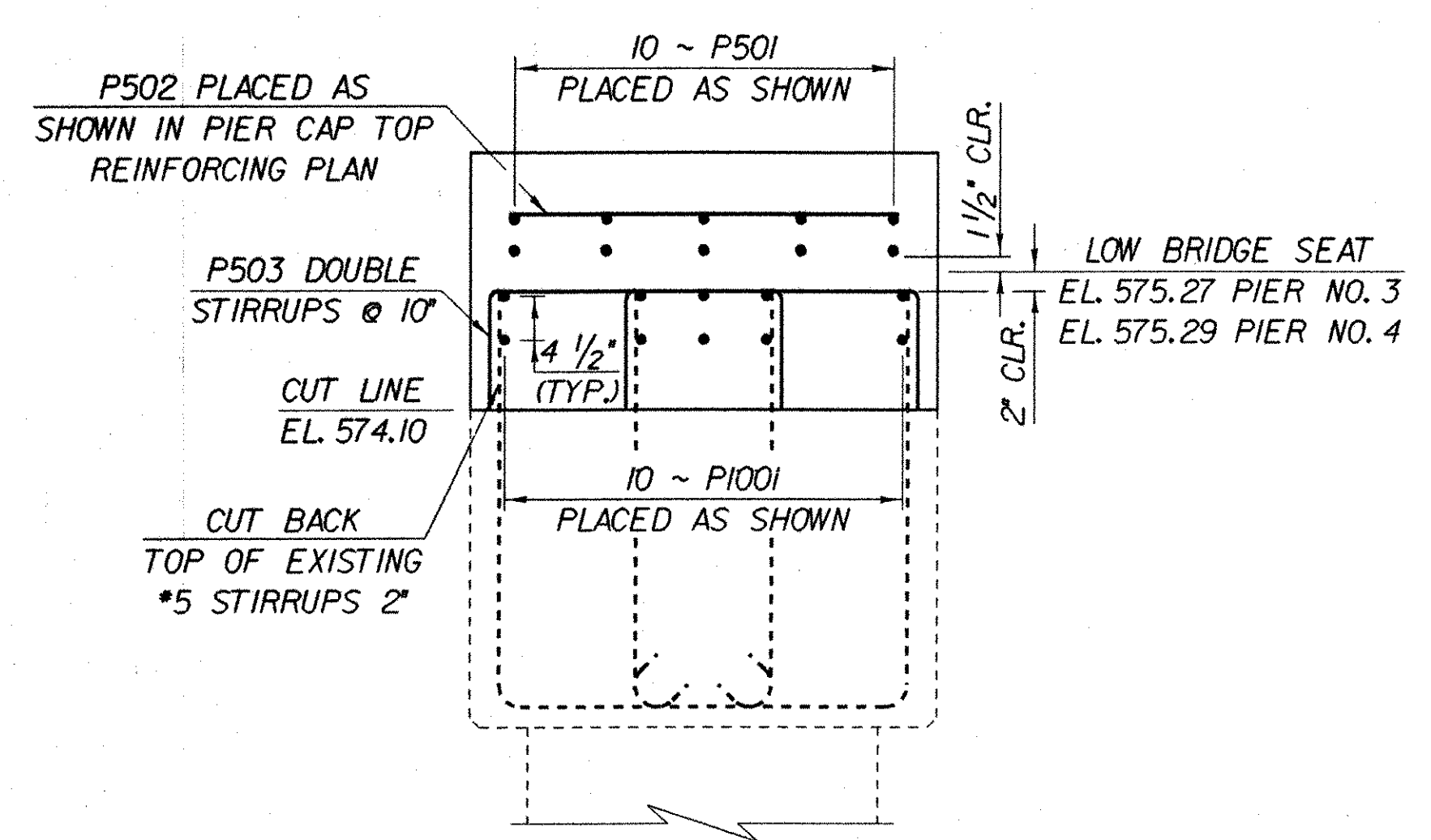


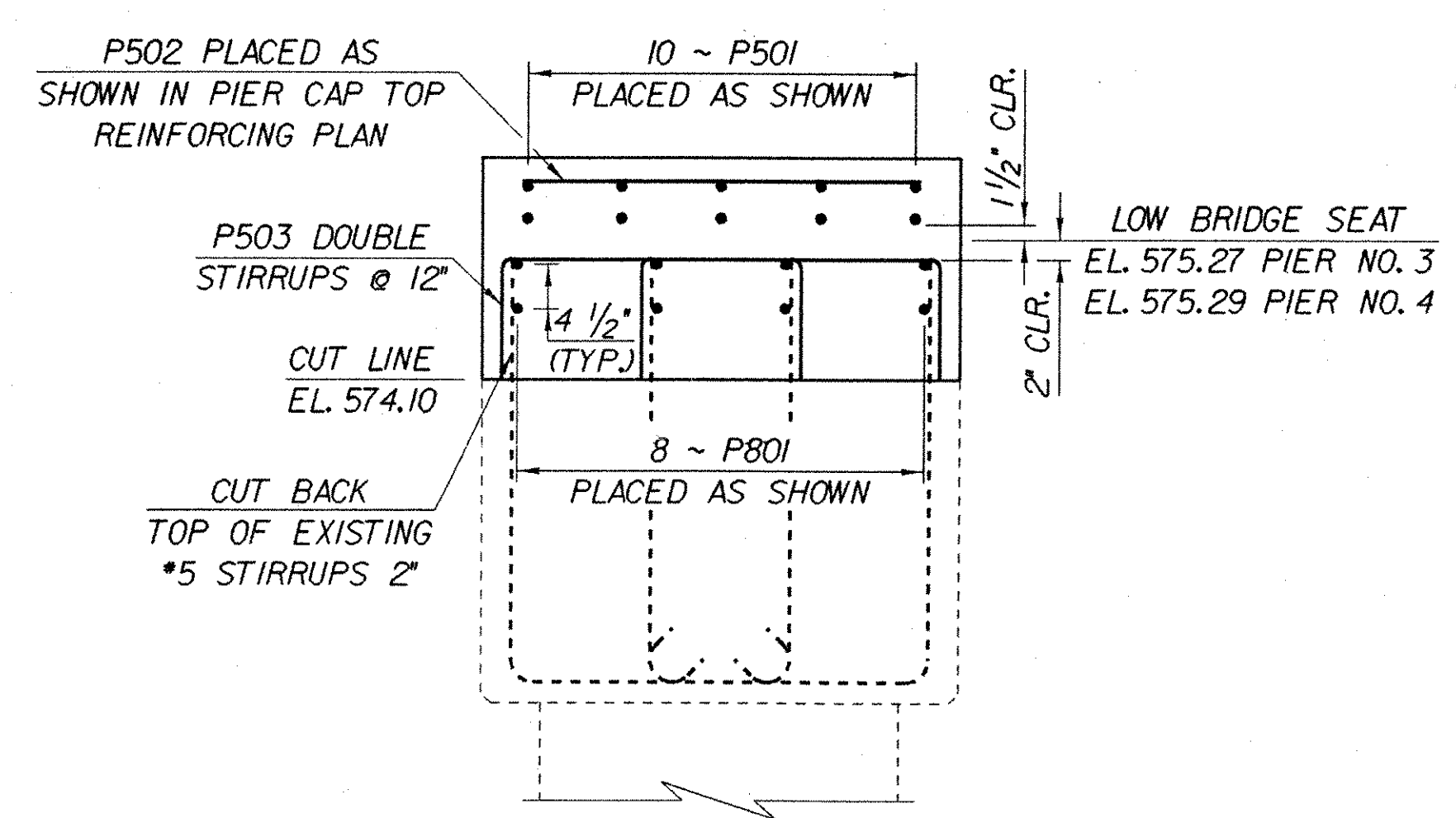
**PIER CAP TOP REINFORCING PLAN**  
SCALE: 3/8" = 1'-0"



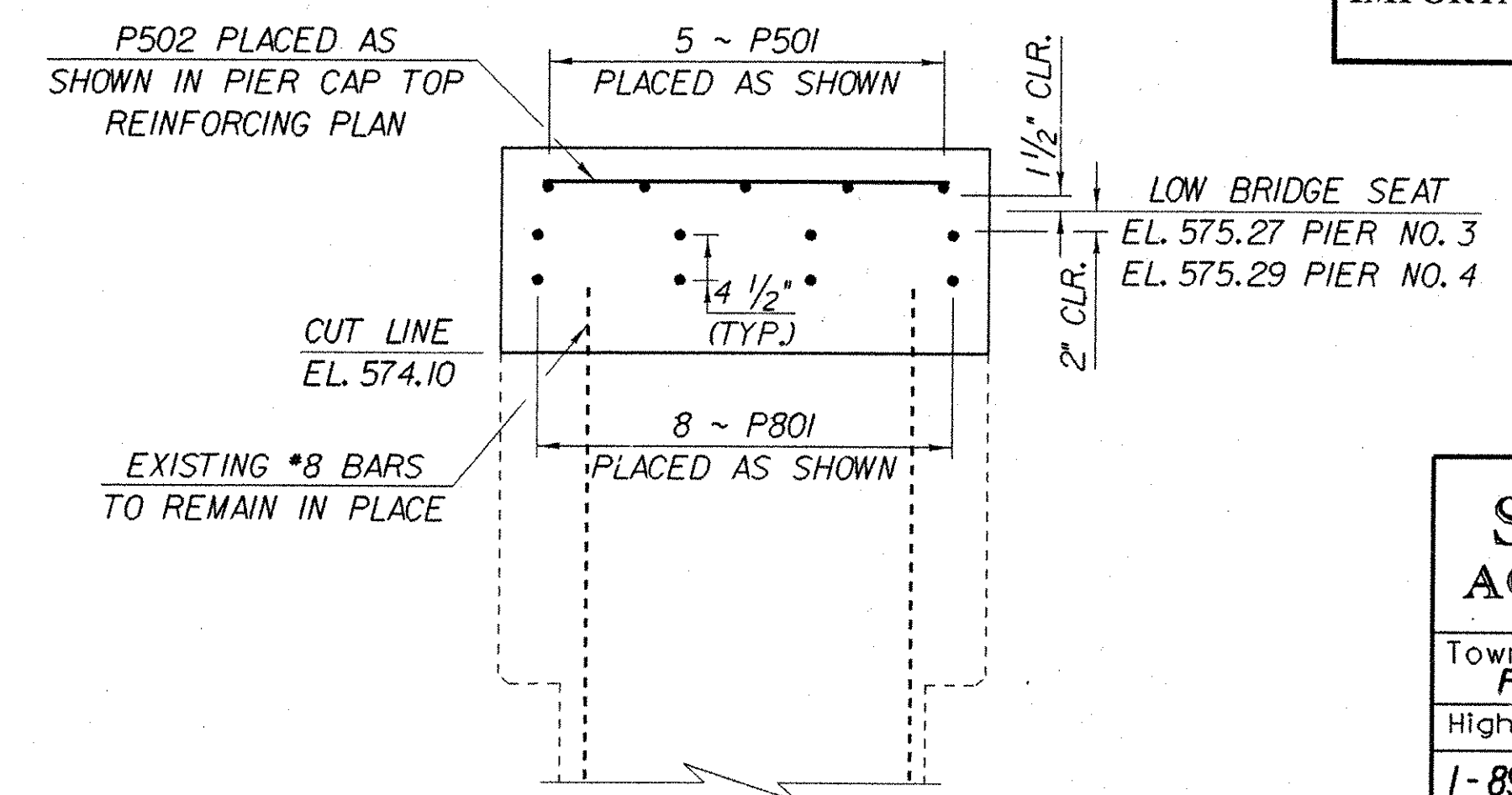
**PIER CAP BOTTOM REINFORCING PLAN**  
SCALE: 3/8" = 1'-0"



**SECTION A-A**  
SCALE: 3/4" = 1'-0"



**SECTION B-B**  
SCALE: 3/4" = 1'-0"



**SECTION C-C**  
SCALE: 3/4" = 1'-0"

**IMPORTANT NOTE: BRIDGE FINISHED GRADES ARE CENTERLINE GRADES.**

<b>STATE OF VERMONT AGENCY OF TRANSPORTATION</b>	
Town Of <b>FAIRFAX-FAIRFIELD-ST. ALBANS</b>	Bridge No. <b>88N</b>
Highway No. <b>1-89</b>	Log Sta. Surv. Sta.
<b>1-89 OVER ST. ALBANS SOUTH STATE HIGHWAY (EXIT 19) PIER NOS. 3 &amp; 4 CAP REINFORCING DETAILS</b>	
Designed By <b>P. PERRY</b>	Drawn By <b>K. CHISHOLM</b>
Checked By <b>M. LOZIER</b>	Bridge Design Supervisor <b>R. R. WHITCOMB</b>
Date <b>2/00</b>	Date <b>2/00</b>
PROJECT <b>FAIRFAX-FAIRFIELD-ST. ALBANS</b>	PROJECT NO. <b>1M 089 - 3 (27)</b>
I.G.C. Info. <b>96a056Structures\sa056ab3.dgn</b>	<b>sa056pr51</b>
Bridge Sheet No. <b>BR452</b>	Sheet <b>204</b> of <b>370</b>