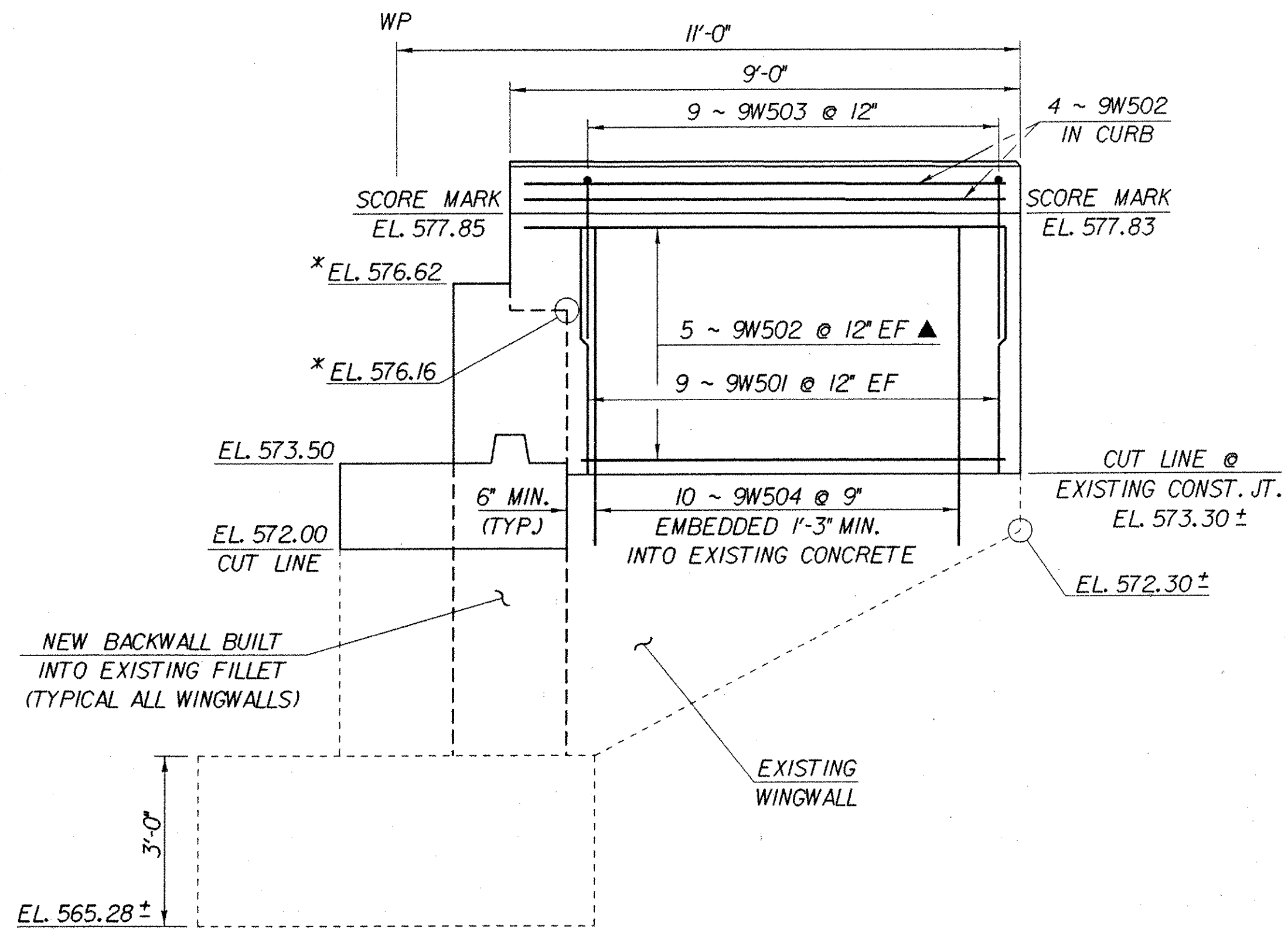


**WINGWALL NO. 10 ELEVATION**

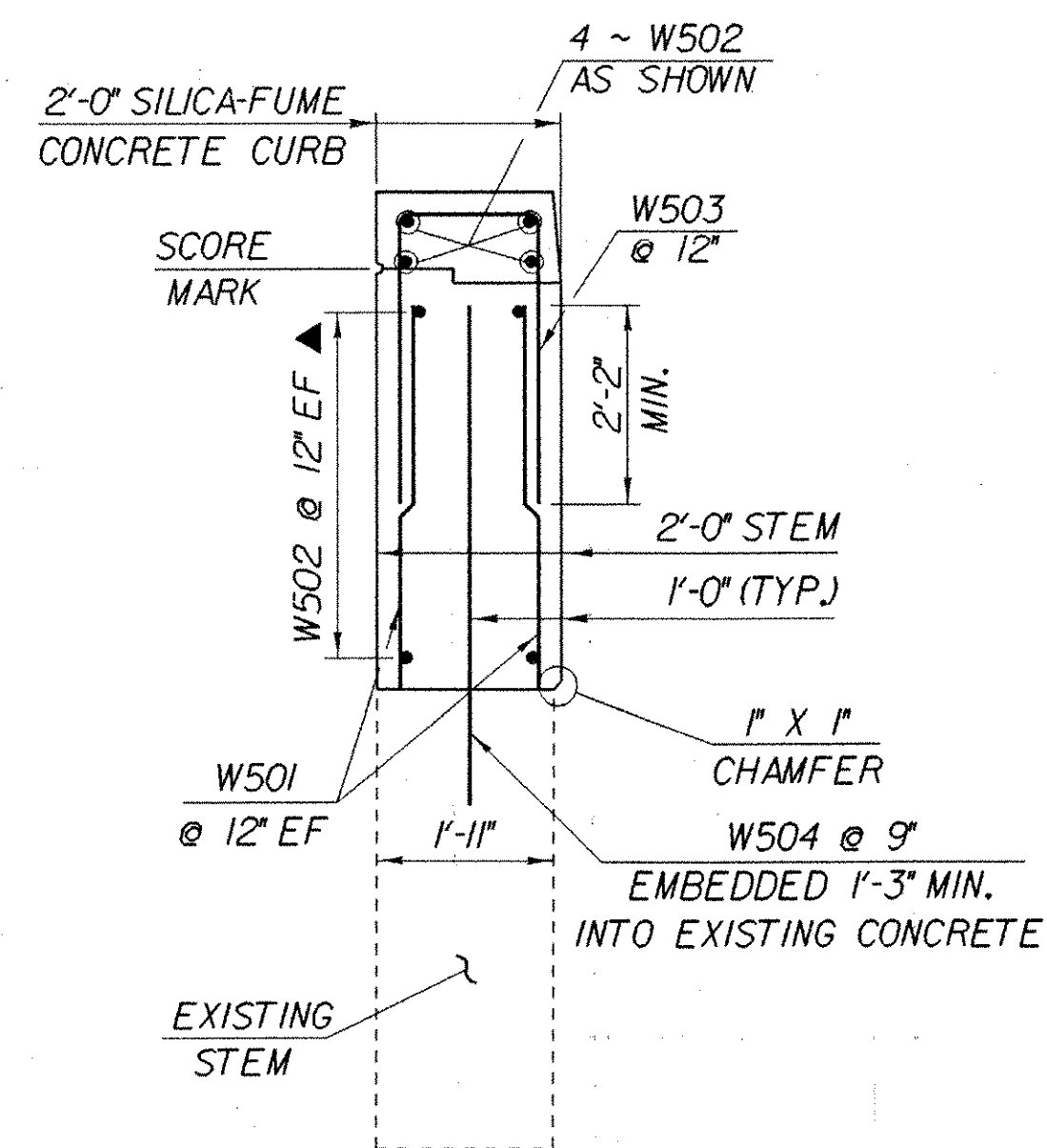
SCALE: 1/2" = 1'-0"



**WINGWALL NO. 9 ELEVATION**

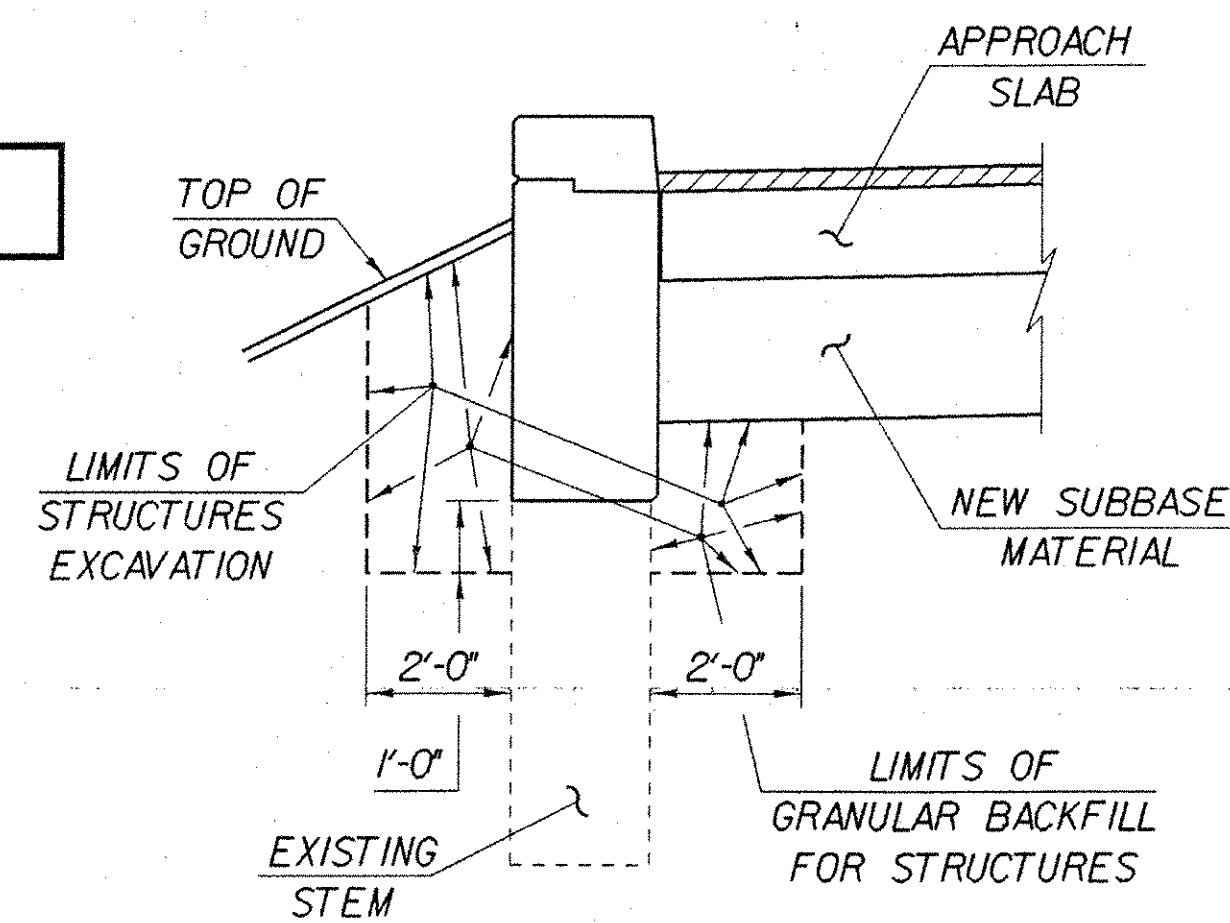
SCALE: 1/2" = 1'-0"

**IMPORTANT NOTE: BRIDGE FINISHED GRADES ARE CENTERLINE GRADES.**



**WINGWALL TYPICAL**

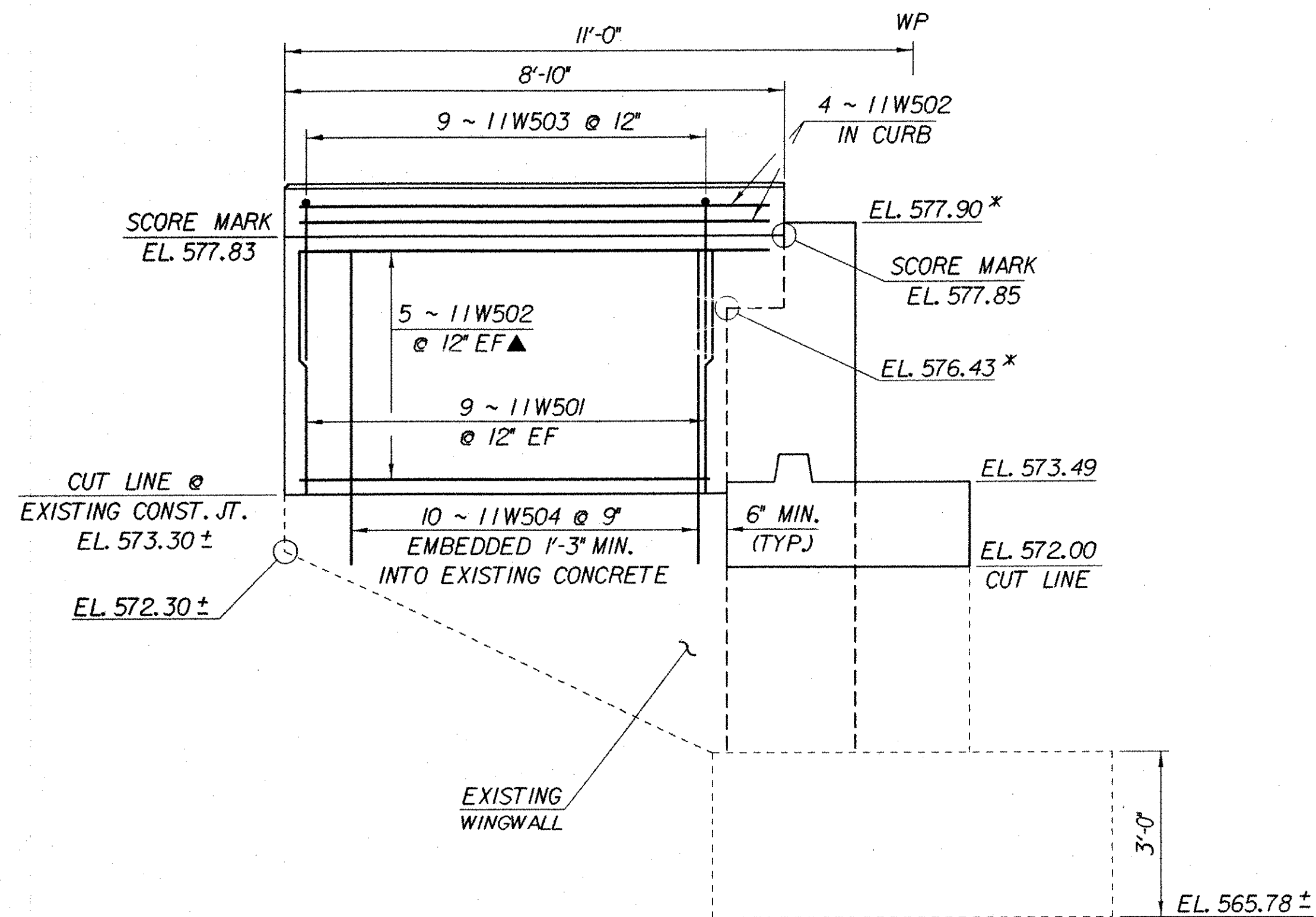
SCALE: 1/2" = 1'-0"



**WINGWALL EARTHWORK TYPICAL**

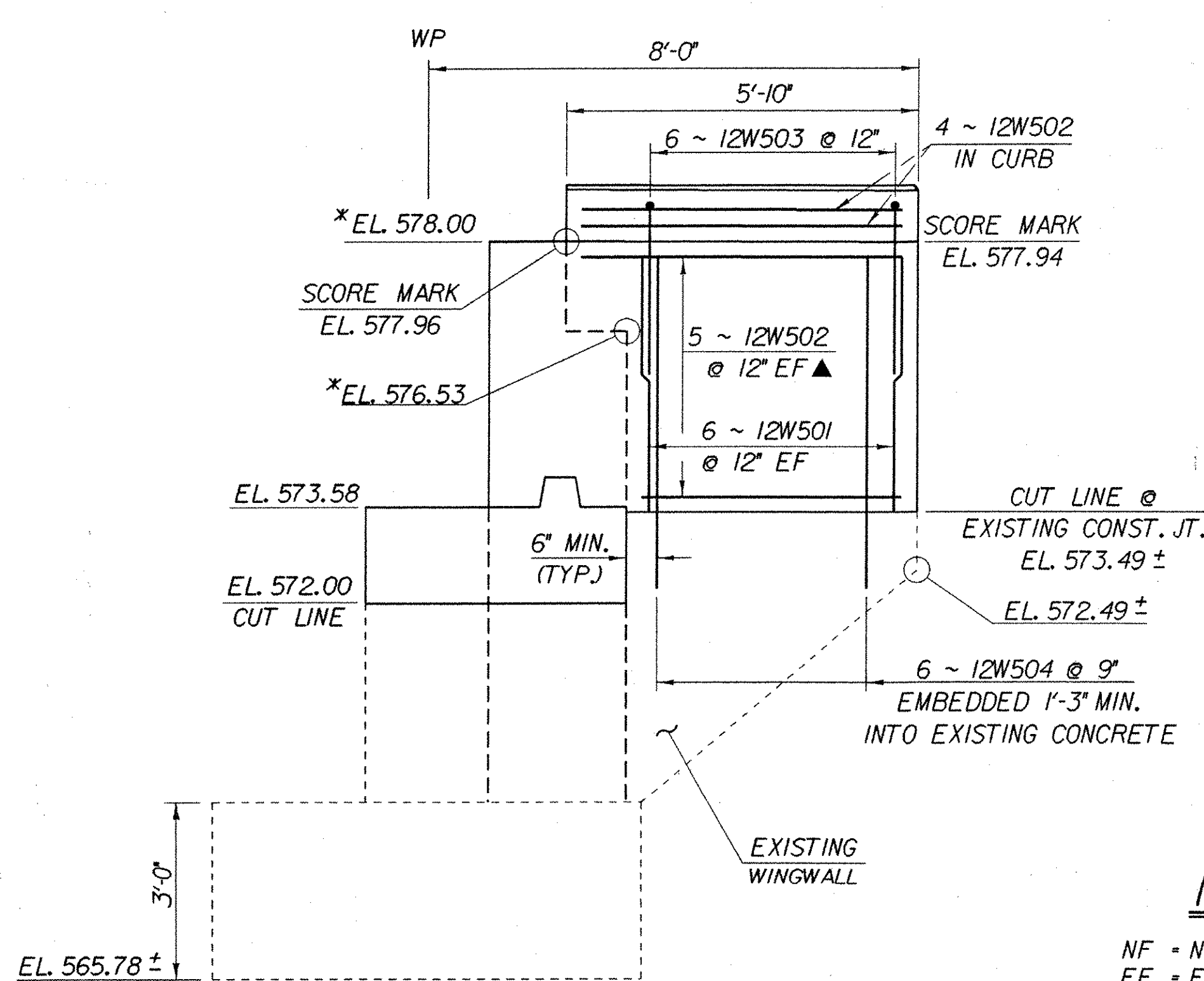
NOT TO SCALE

\* NOTE:  
ELEVATIONS AT TOP OF BACKWALL AND APPROACH SLAB BRACKET TO BE VERIFIED BY THE RESIDENT ENGINEER AFTER STRUCTURAL STEEL IS ERECTED.



**WINGWALL NO. 11 ELEVATION**

SCALE: 1/2" = 1'-0"



**WINGWALL NO. 12 ELEVATION**

SCALE: 1/2" = 1'-0"

**NOTE:**

NF = NEAR FACE  
FF = FAR FACE  
EF = EACH FACE  
▲ = CUT TO FIT IN FIELD  
3" CLR. UNLESS OTHERWISE SPECIFIED ON THE PLANS.

<b>STATE OF VERMONT AGENCY OF TRANSPORTATION</b>	
Town Of <b>FAIRFAX-FAIRFIELD-ST. ALBANS</b>	Bridge No. 885
Highway No. 1-89	Log Sta. Surv. Sta.
<b>1-89 OVER ST. ALBANS SOUTH STATE HIGHWAY (EXIT 19) WINGWALL NOS. 9 - 12 ELEVATIONS</b>	
Designed By M. LOZIER	Drawn By K. CHISHOLM
Checked By M. LOZIER	Bridge Design Supervisor R. R. WHITCOMB Date 2/00
PROJECT <b>FAIRFAX-FAIRFIELD-ST. ALBANS</b>	PROJECT NO. <b>1M 089 - 3 (27)</b>
I.G.C. Info. 96a056Structures\sa056ab2.dgn	sa056ww3J
Bridge Sheet No. BR441	Sheet 193 of 370