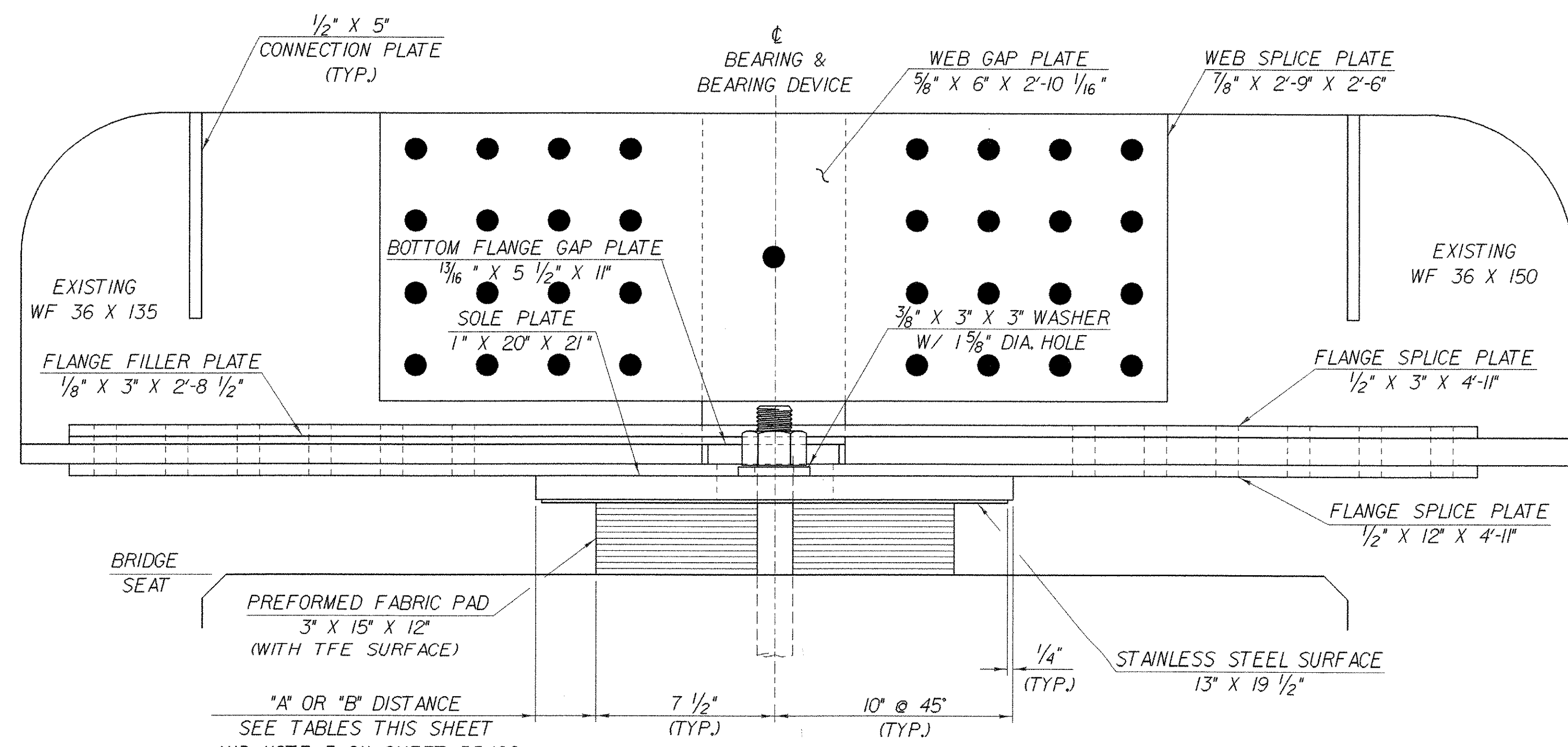
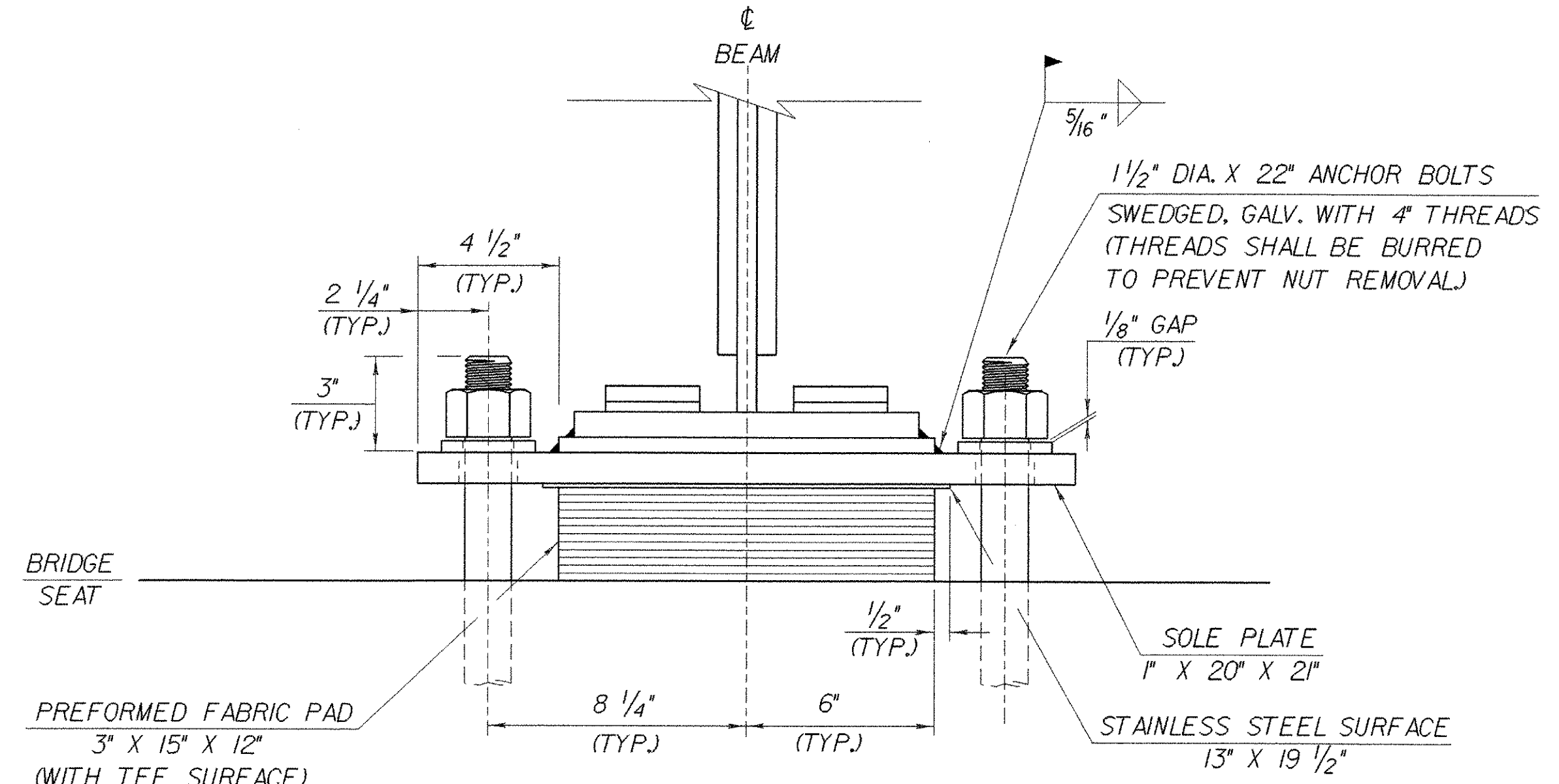


PLAN VIEW
SCALE: 3" = 1'-0"



SIDE ELEVATION
SCALE: 3" = 1'-0"

*A OR *B DISTANCE
SEE TABLES THIS SHEET
AND NOTE 5 ON SHEET BR422



FRONT VIEW
SCALE: 3" = 1'-0"

PIER NO. 3
TEMPERATURE SETTING TABLE

TEMP	*A DIST	*B DIST
0°F	2 3/4"	2 1/16"
15°F	2 11/16"	2 5/8"
30°F	2 5/8"	2 9/16"
45°F	2 9/16"	2 1/2"
60°F	2 1/2"	2 7/16"
75°F	2 7/16"	2 3/8"
90°F	2 3/8"	2 5/16"
105°F	2 5/16"	2 1/4"

PIER NO. 4
TEMPERATURE SETTING TABLE

TEMP	*A DIST	*B DIST
0°F	3"	2 7/8"
15°F	2 7/8"	2 3/4"
30°F	2 3/4"	2 5/8"
45°F	2 5/8"	2 1/2"
60°F	2 1/2"	2 3/8"
75°F	2 3/8"	2 1/4"
90°F	2 1/4"	2 1/8"
105°F	2 1/8"	2"

STATE OF VERMONT
AGENCY OF TRANSPORTATION

Town of **FAIRFAX-FAIRFIELD-ST. ALBANS** Bridge No. **88N**

Highway No. **1-89** Log Sta. _____

1-89 OVER ST. ALBANS SOUTH STATE HIGHWAY (EXIT 19) Surv. Sta. _____

88N EXPANSION BEARING DETAILS PIER NOS. 3 & 4

Designed By **J. ARMSTRONG** Drawn By **K. CHISHOLM**

Checked By **M. LOZIER** Date **2/00** Bridge Design Supervisor **R.R. WHITCOMB** Date **2/00**

PROJECT **FAIRFAX-FAIRFIELD-ST. ALBANS** PROJECT NO. **1M 089 - 3 (27)**

I.G.C. Info. **96a056\Structures\sa056fr3.dgn** sa056br6J

Bridge Sheet No. **BR423** Sheet **175** of **370**