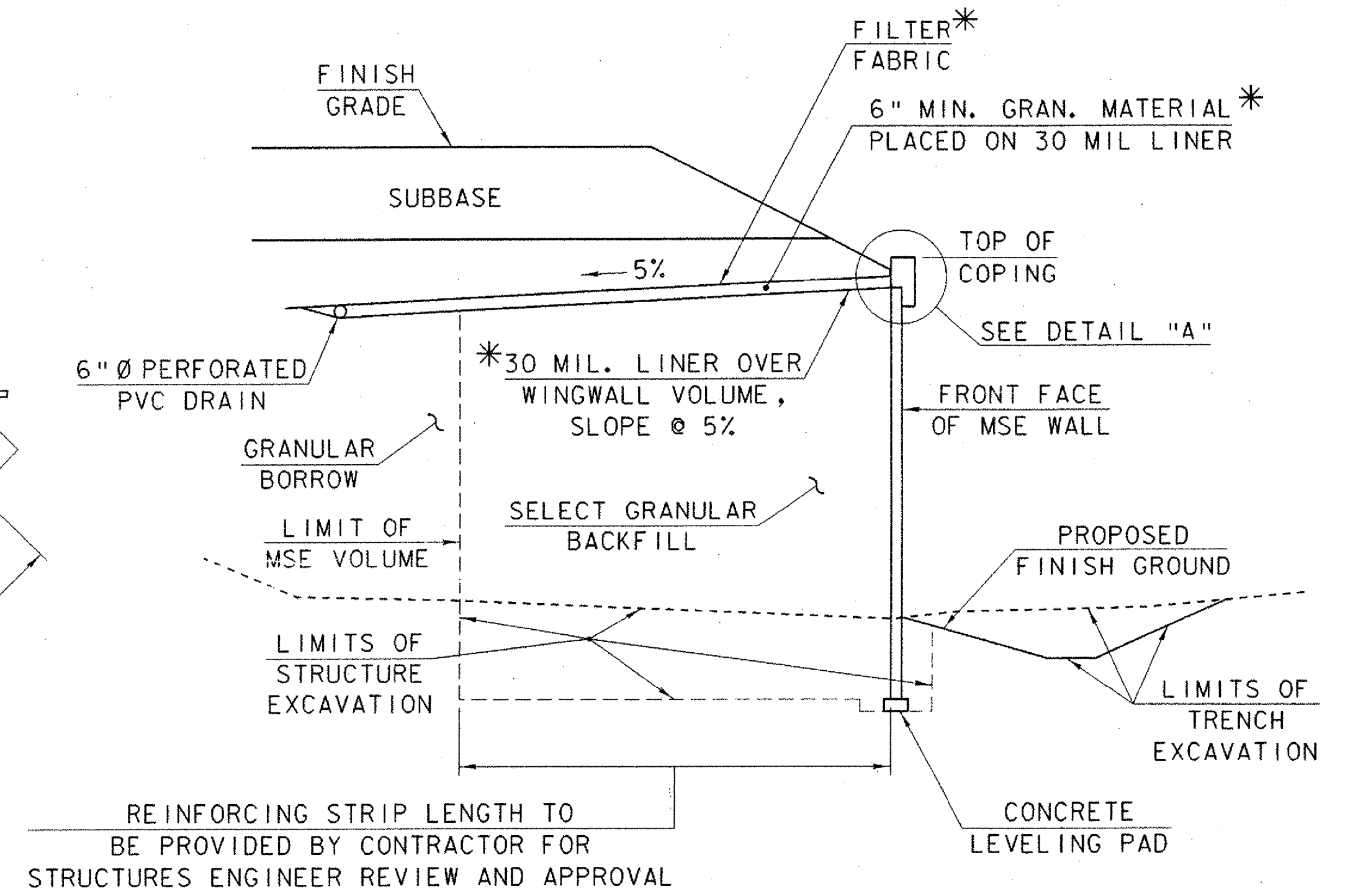
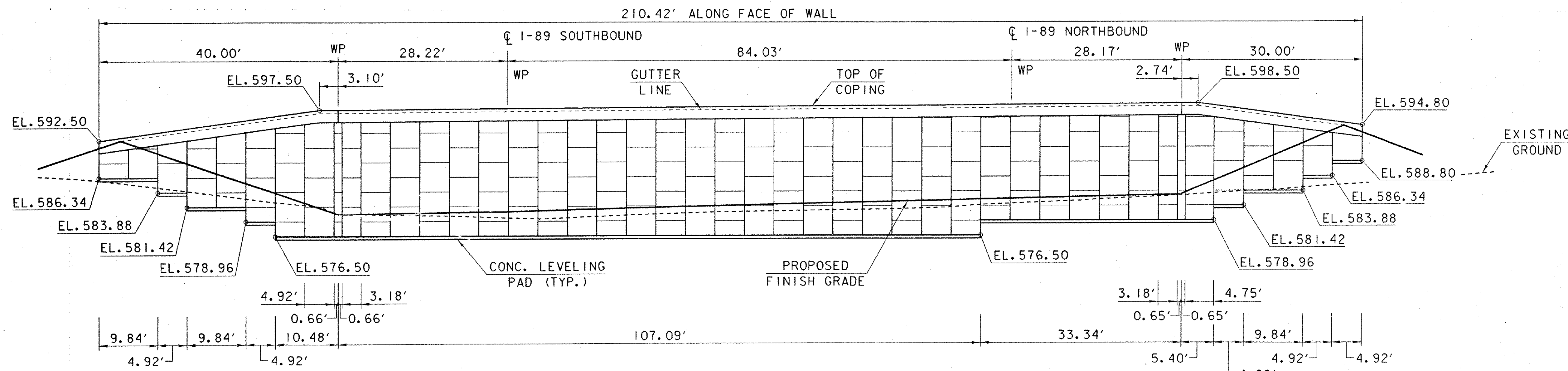


**MSE WALL NO. 2 PLAN**  
SCALE: 1" = 10'-0"

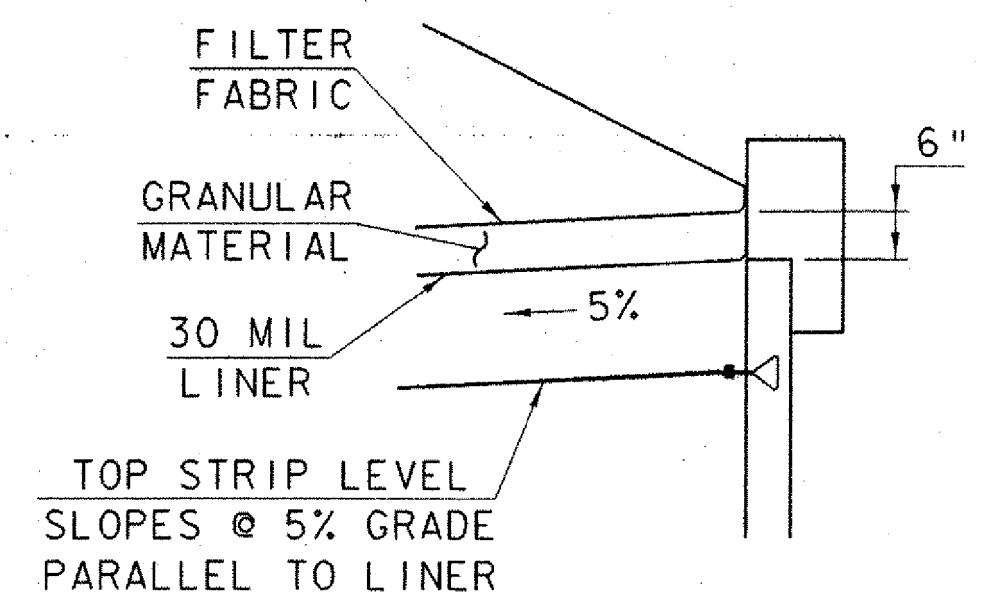


**TYPICAL SECTION THRU WINGWALL**  
SCALE: 1" = 5'-0"

\* SEE NOTE NO. 4 ON SHEET BR231.



**MSE WALL NO. 2 ELEVATION**  
SCALE: 1" = 10'-0"



**DETAIL "A"**  
SCALE: 1/2" = 1'-0"

**IMPORTANT NOTE: BRIDGE FINISHED GRADES ARE CENTERLINE GRADES.**

<b>STATE OF VERMONT AGENCY OF TRANSPORTATION</b>	
Town Of <b>FAIRFAX-FAIRFIELD-ST. ALBANS</b>	Bridge No. 87 N&S
Highway No. <b>1-89</b>	Log Sta. <b>1-89</b>
Surv. Sta. <b>1-89 OVER VT 104</b>	
<b>MSE WALL NO. 2 PLAN AND ELEVATION</b>	
Designed By <b>G. ROY</b>	Drawn By <b>G. ROY</b>
Checked By <b>M. LOZIER</b>	Date <b>11/99</b>
Bridge Design Supervisor <b>R. R. WHITCOMB</b>	Date <b>11/99</b>
PROJECT <b>FAIRFAX-FAIRFIELD-ST. ALBANS</b>	PROJECT NO. <b>1M 089 - 3 (27)</b>
I.G.C. Info. <b>196a056Structures\sa056mse.dgn</b>	sa056mw21
Bridge Sheet No. <b>BR232</b>	Sheet <b>110</b> of <b>370</b>