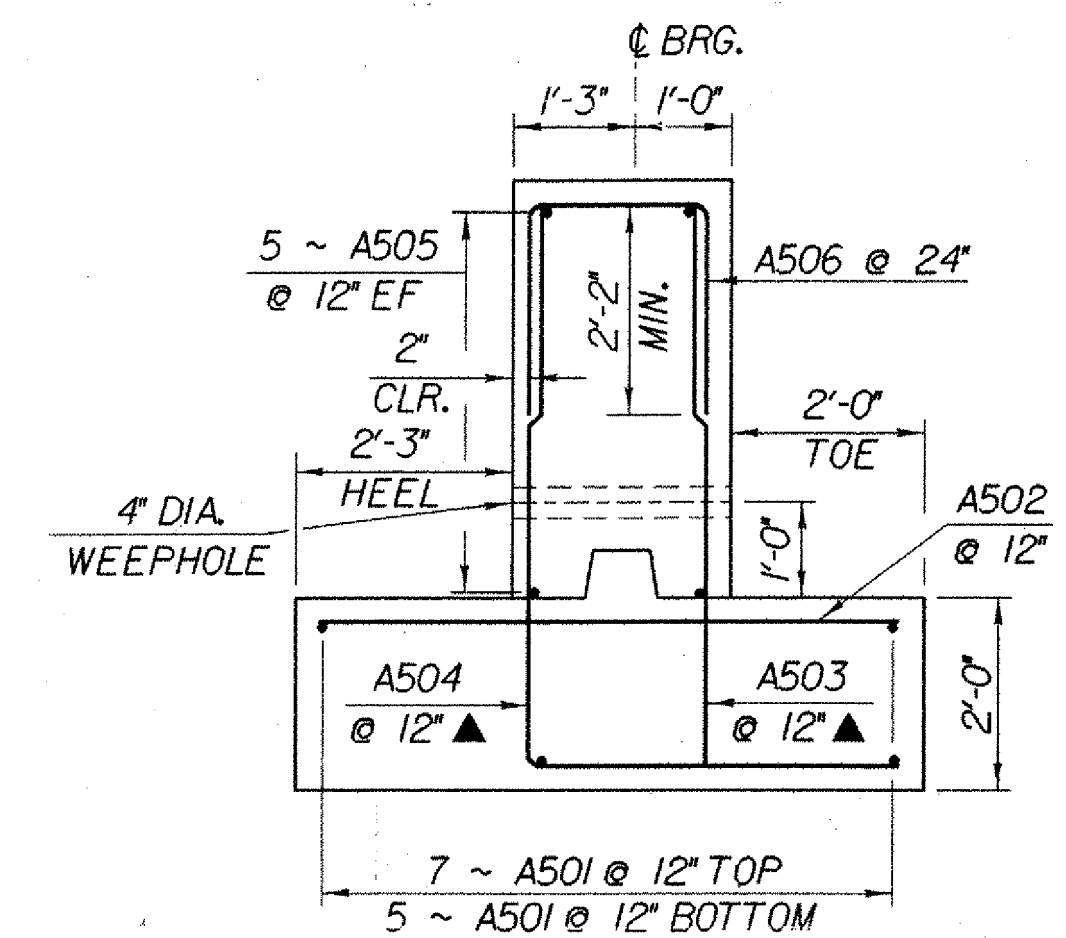
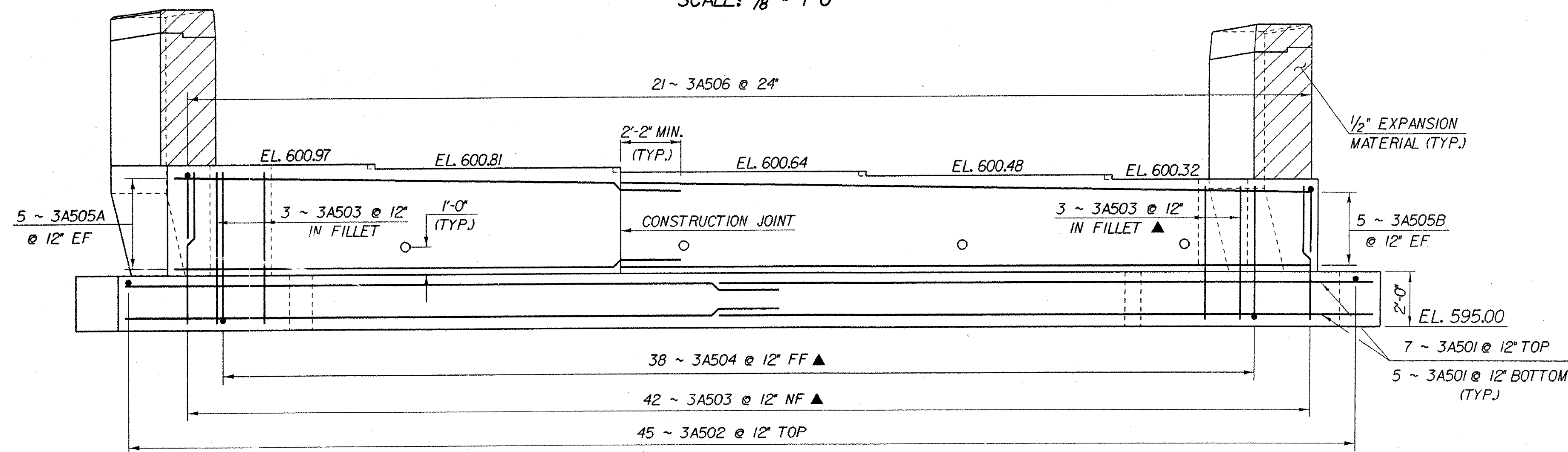


**ABUTMENT NO. 3 PLAN**  
SCALE: 3/8" = 1'-0"

HIGH PERFORMANCE CONCRETE WAS USED EXCLUSIVELY ON BR 87N



**ABUTMENT TYPICAL**  
SCALE: 1/2" = 1'-0"



**ABUTMENT NO. 3 ELEVATION**  
SCALE: 3/8" = 1'-0"

**NOTE:**

- NF - NEAR FACE
- FF - FAR FACE
- EF - EACH FACE
- ▲ - CUT TO FIT IN FIELD
- 3" CLR. UNLESS OTHERWISE SPECIFIED ON THE PLANS.

**IMPORTANT NOTE: BRIDGE FINISHED GRADES ARE CENTERLINE GRADES.**

<b>STATE OF VERMONT AGENCY OF TRANSPORTATION</b>			
Town Of <b>FAIRFAX-FAIRFIELD-ST. ALBANS</b>	Bridge No. 87N		
Highway No. 1-89	Log Sta. 1-89		
I-89 OVER VT 104			
<b>ABUTMENT NO. 3 DETAILS</b>			
Designed By M. LOZIER	Drawn By K. CHISHOLM		
Checked By G. ROY	Date 10/99	Bridge Design Supervisor R.R. WHITCOMB	Date 11/99
PROJECT <b>FAIRFAX-FAIRFIELD-ST. ALBANS</b>		PROJECT NO. <b>1M 089 - 3 (27)</b>	
I.G.C. Info. 941106\Structures\1106abdgn		sa056ab3j	
Bridge Sheet No. BR224	Sheet 102 of 370		