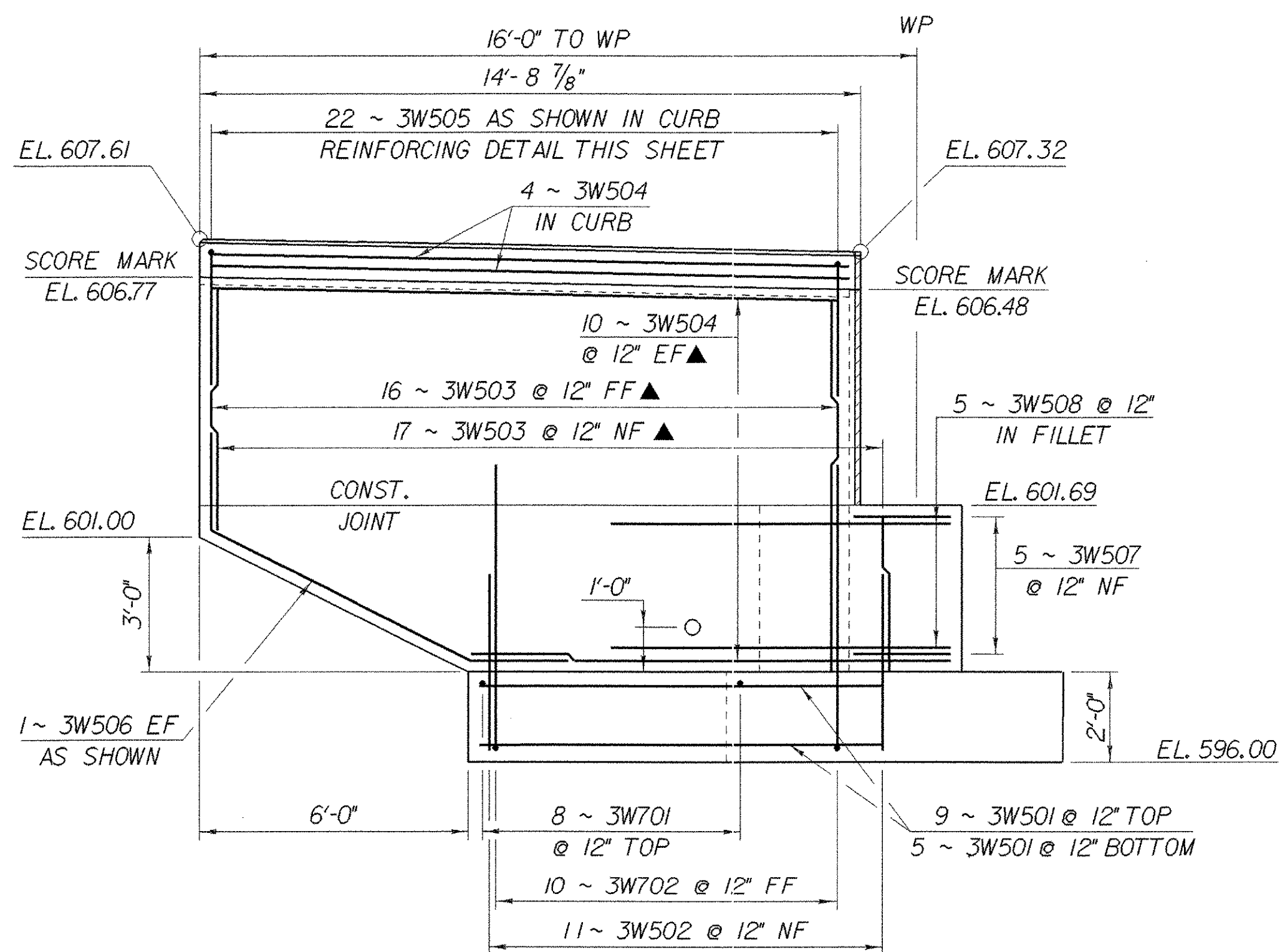
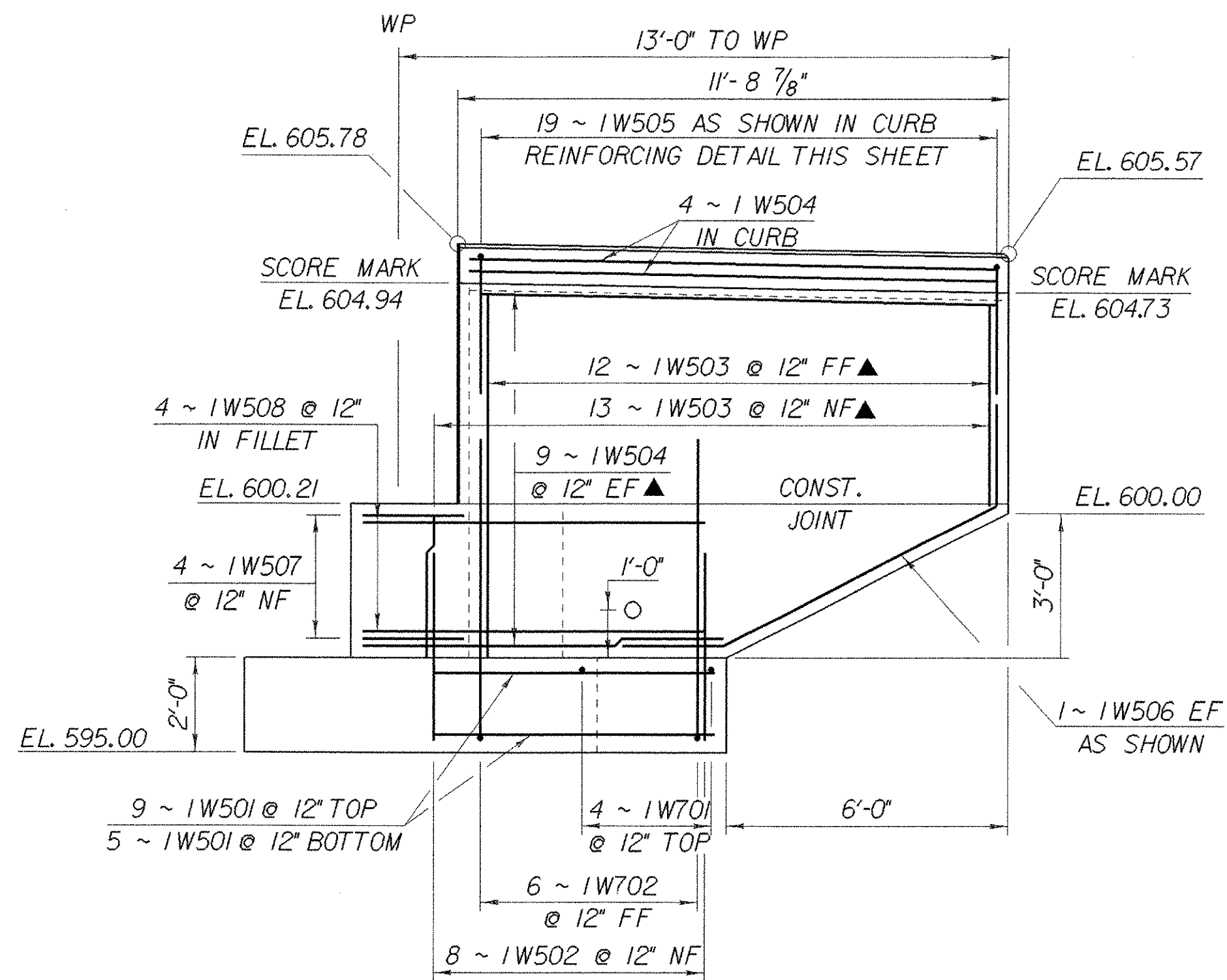


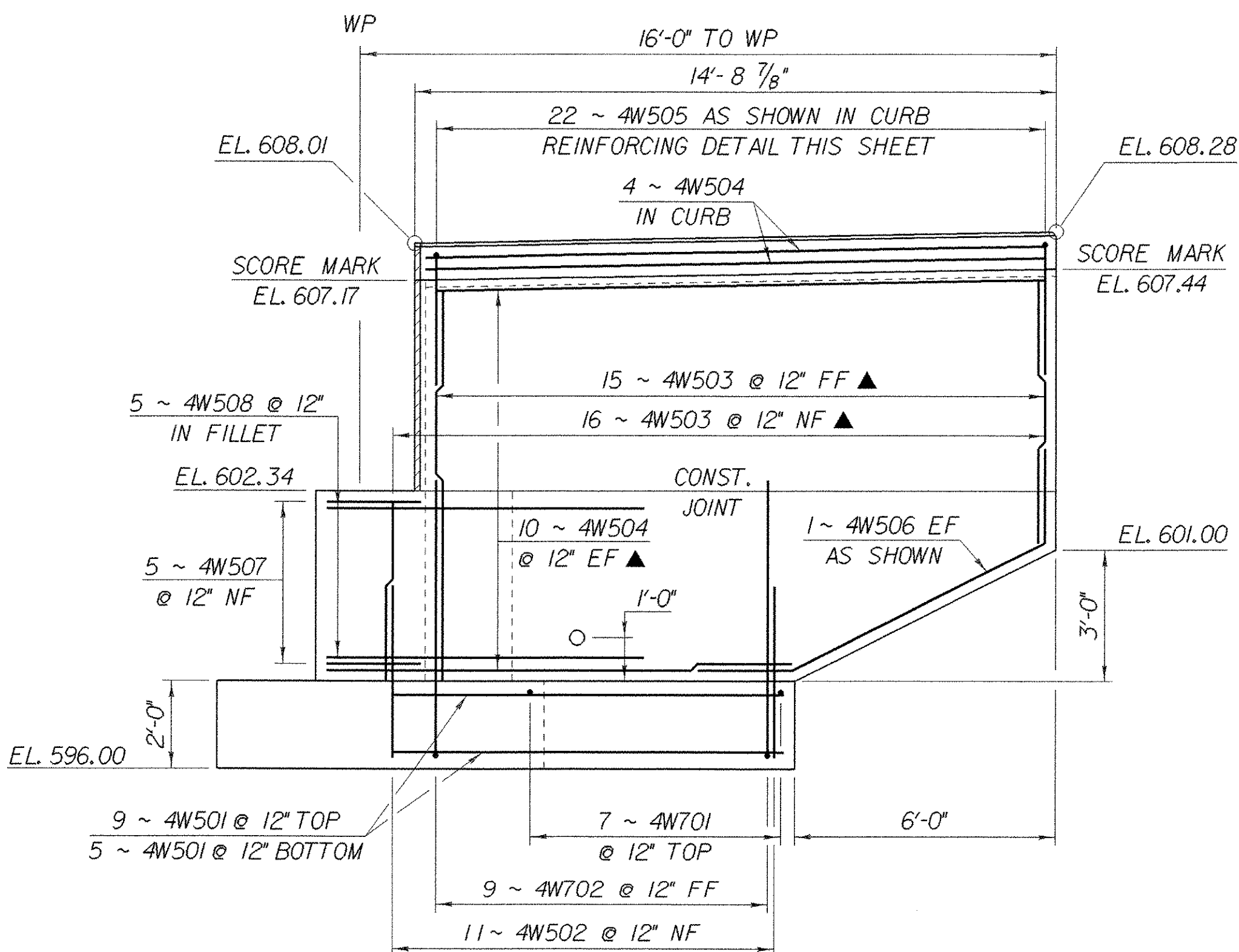
WINGWALL NO. 2
SCALE: 3/8" = 1'-0"



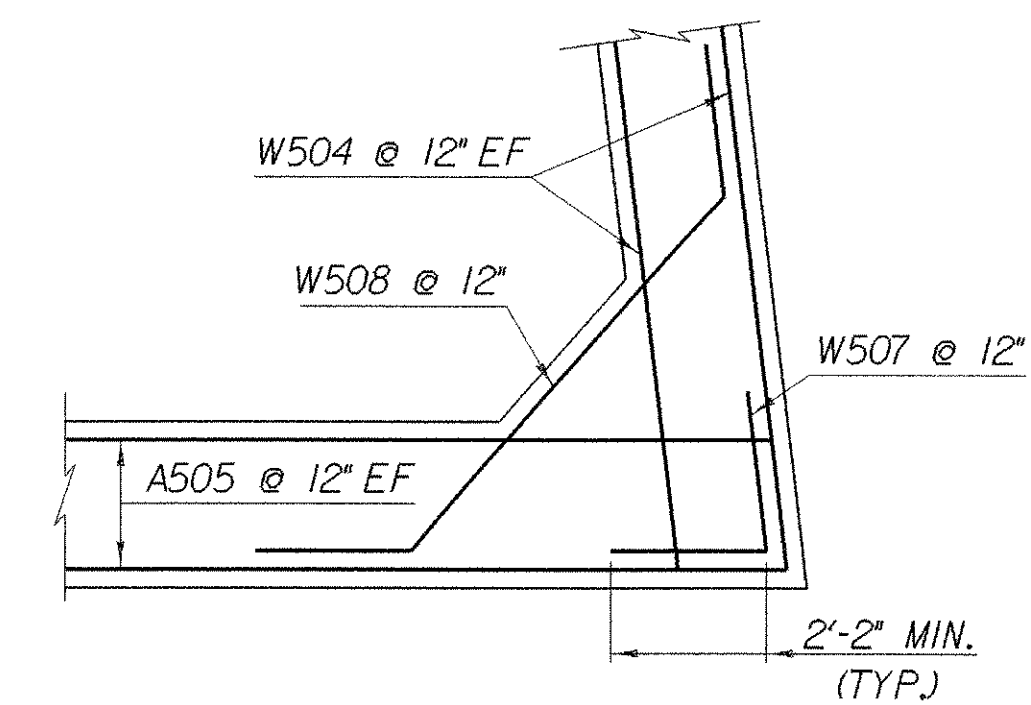
WINGWALL NO. 3
SCALE: 3/8" = 1'-0"



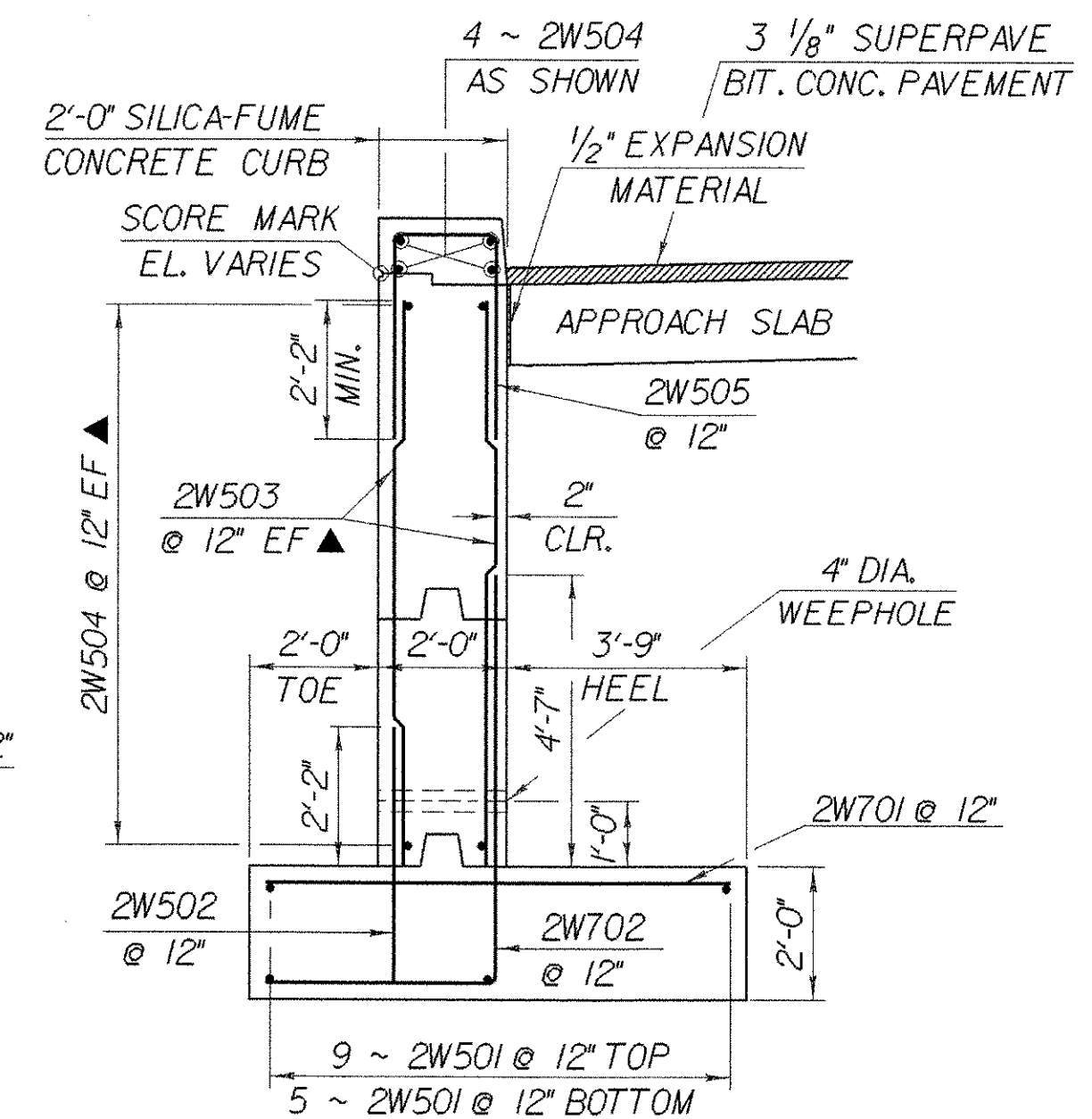
WINGWALL NO. 1
SCALE: 3/8" = 1'-0"



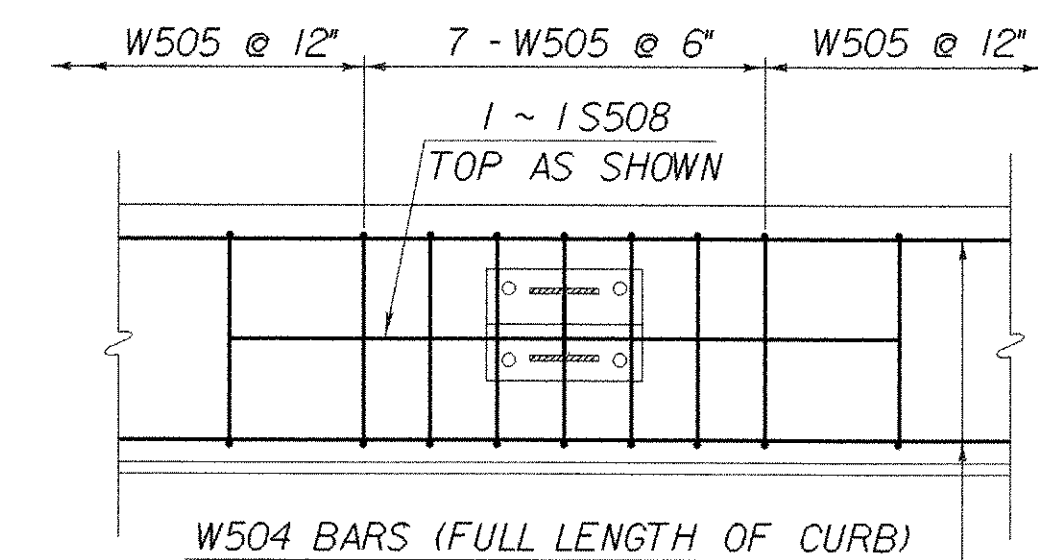
WINGWALL NO. 4
SCALE: 3/8" = 1'-0"



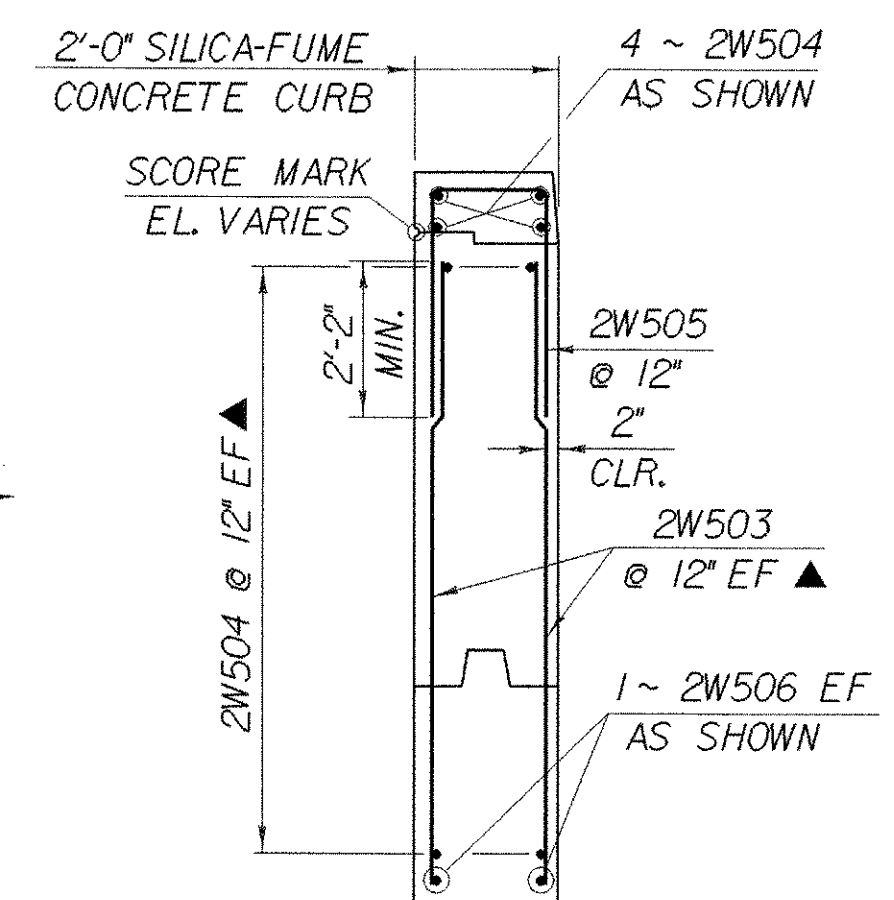
**WINGWALL CORNER DETAIL
BELOW BRIDGE SEAT**
SCALE: 3/8" = 1'-0"



**WINGWALL NO. 2 TYPICAL
SECTION A-A**
SCALE: 3/8" = 1'-0"
(WINGWALLS 1, 3 & 4 SIMILAR)



CURB REINFORCING DETAIL
NTS



**WINGWALL NO. 2 TYPICAL
SECTION B-B**
SCALE: 3/8" = 1'-0"
(WINGWALLS 1, 3 & 4 SIMILAR)

NOTE:
NF - NEAR FACE
FF - FAR FACE
EF - EACH FACE
▲ - CUT TO FIT IN FIELD
3" CLR. UNLESS OTHERWISE SPECIFIED ON THE PLANS.

STATE OF VERMONT AGENCY OF TRANSPORTATION			
Town Of FAIRFAX-FAIRFIELD-ST. ALBANS	Bridge No. 875		
Highway No. 1-89	Log Sta.		
	Surv. Sta.		
1-89 OVER VT 104			
WINGWALL NOS. 1 - 4 ELEVATIONS			
Designed By M. LOZIER	Date	Drawn By K. CHISHOLM	Date
Checked By G. ROY	10/99	Bridge Design Supervisor R.R. WHITCOMB	Date 11/99
PROJECT FAIRFAX-FAIRFIELD-ST. ALBANS	PROJECT NO. 1M 089 - 3 (27)		
I.G.C. Info. 94\1106\Structures\s\1106tab.dgn	so056ww\j		
Bridge Sheet No. BR223	Sheet 101 of 370		