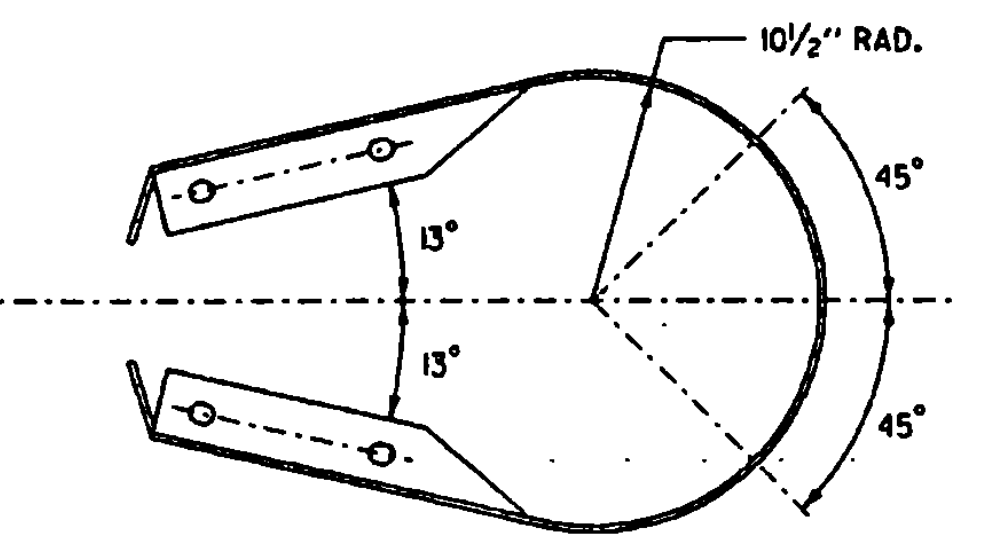
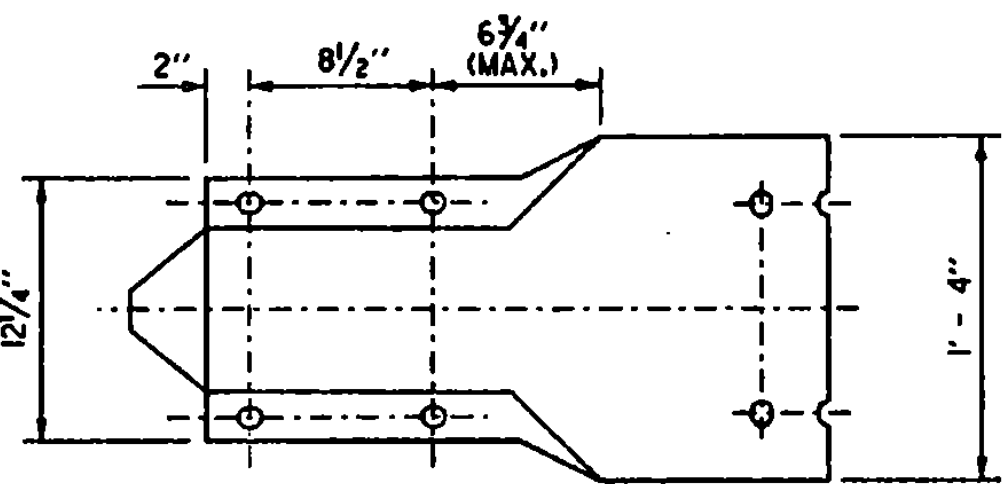


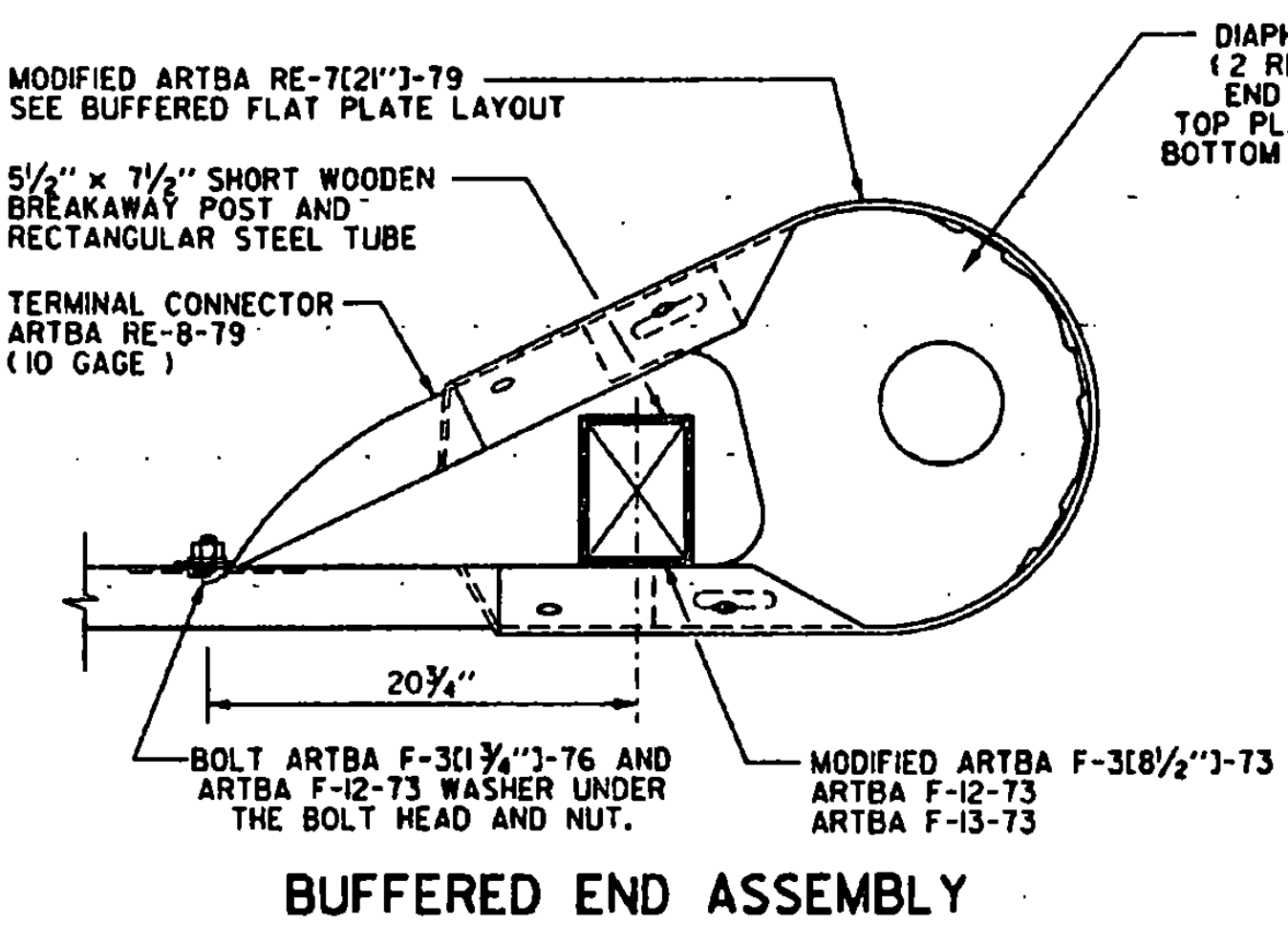
DIAPHRAGM PLATE DETAIL
12 GAGE - (2 REQUIRED EACH TERMINAL)



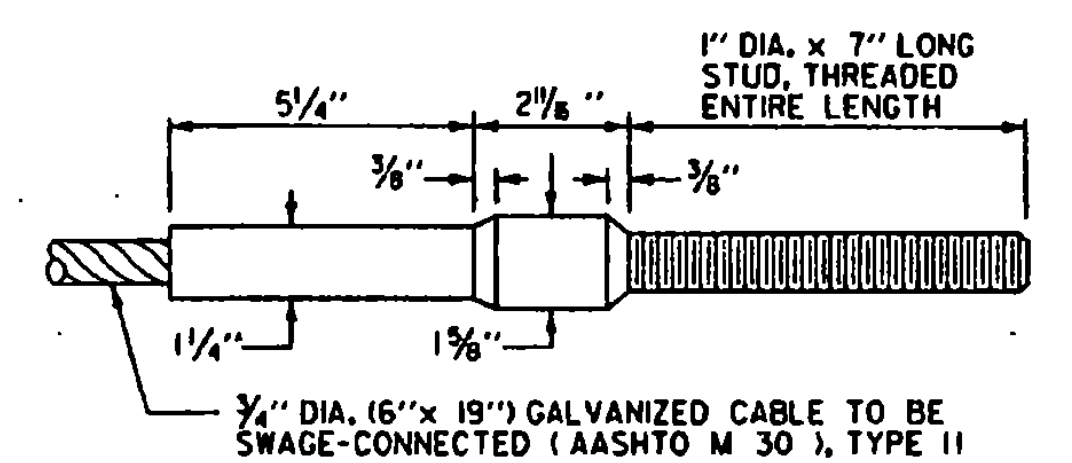
BUFFERED END SECTION PLAN



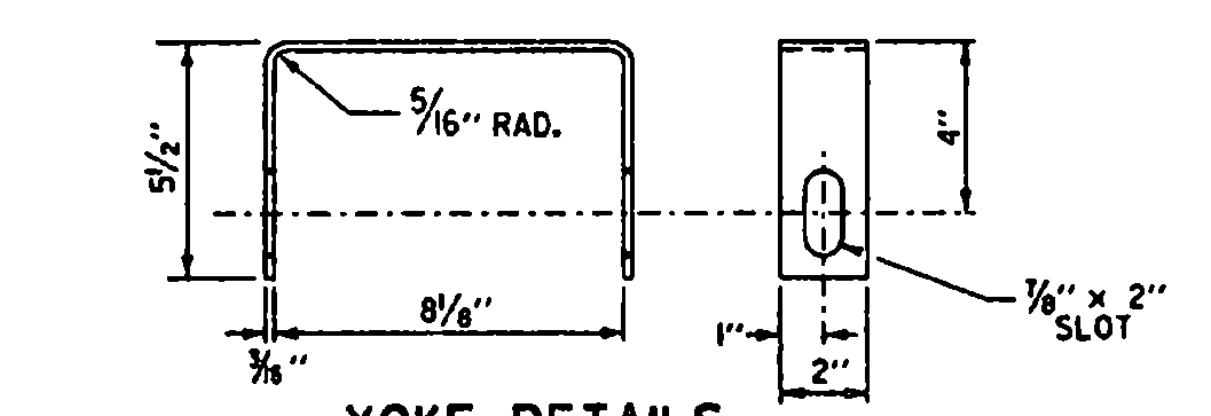
BUFFERED END SECTION ELEVATION



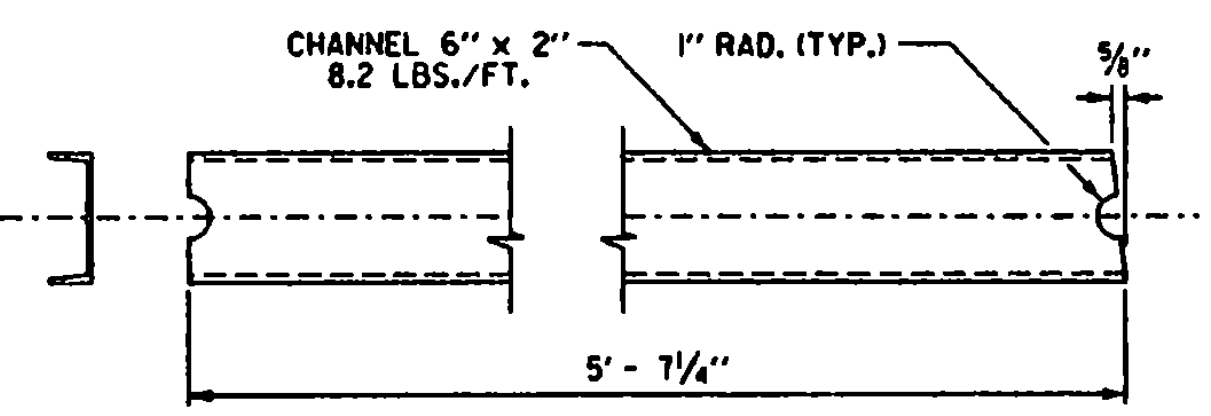
BUFFERED END ASSEMBLY



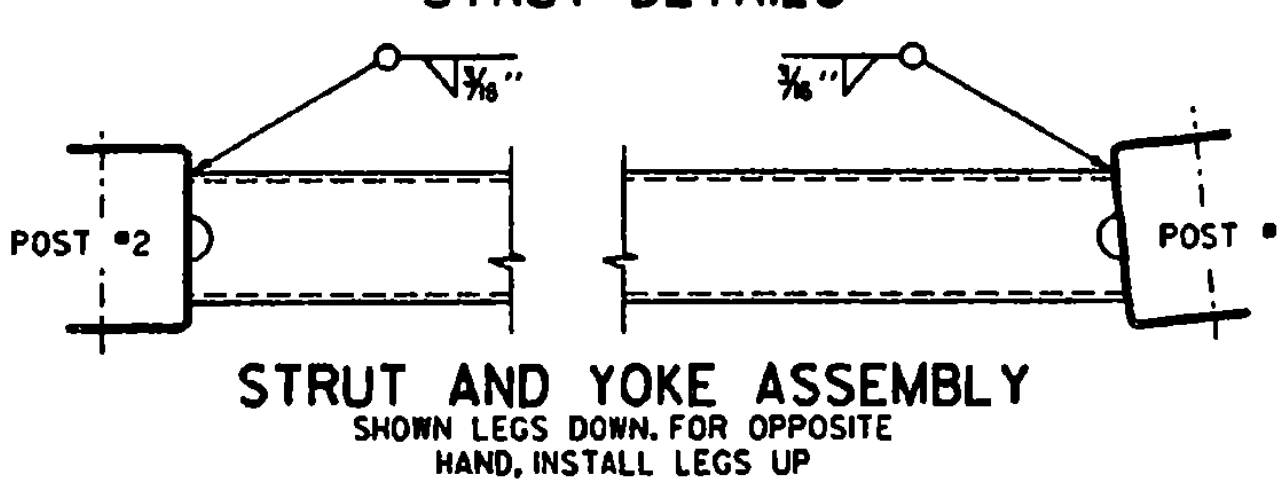
STANDARD SWAGED FITTING AND STUD CABLE ASSEMBLY ARTBA F-37-76



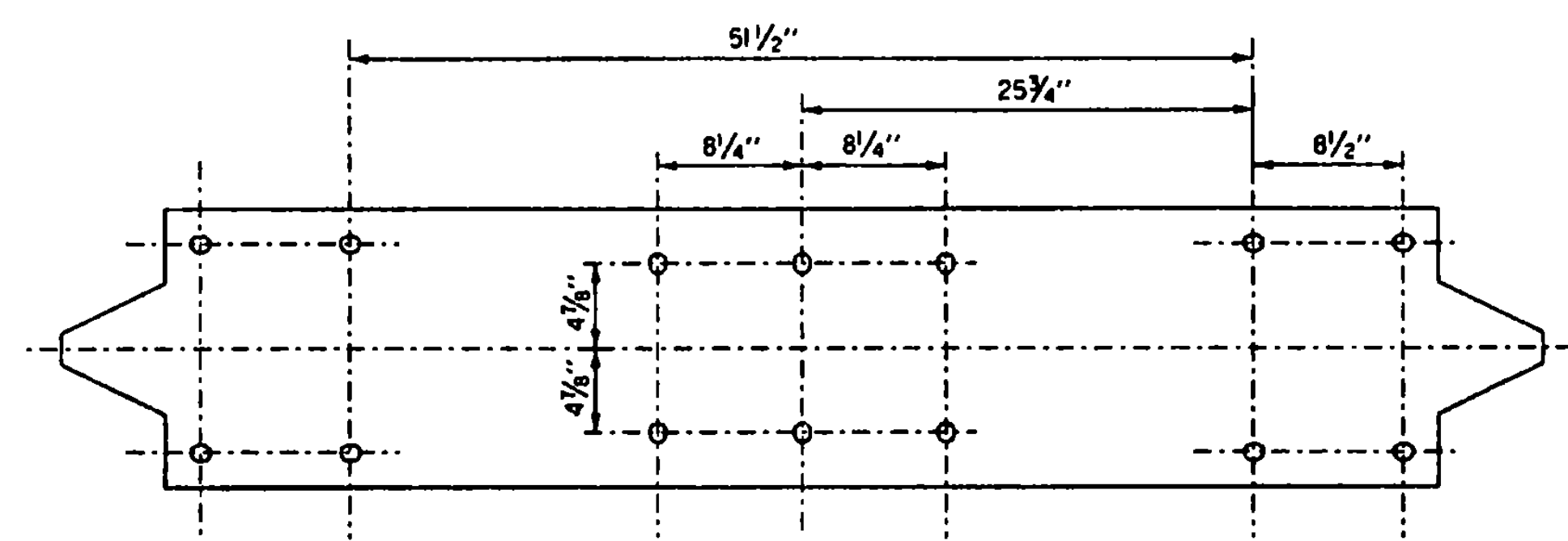
YOKE DETAILS



STRUT DETAILS

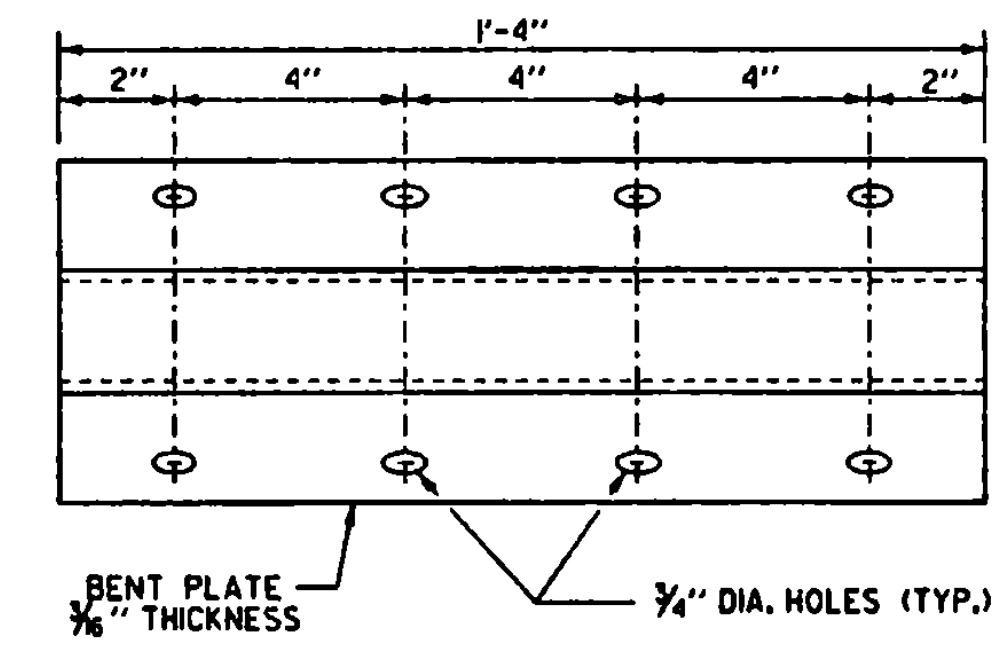


STRUT AND YOKE ASSEMBLY
SHOWN LEGS DOWN, FOR OPPOSITE HAND, INSTALL LEGS UP

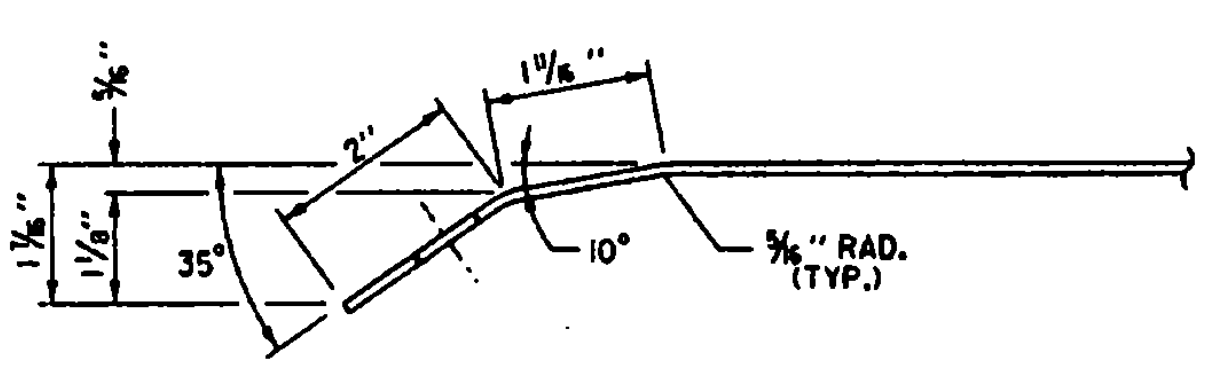
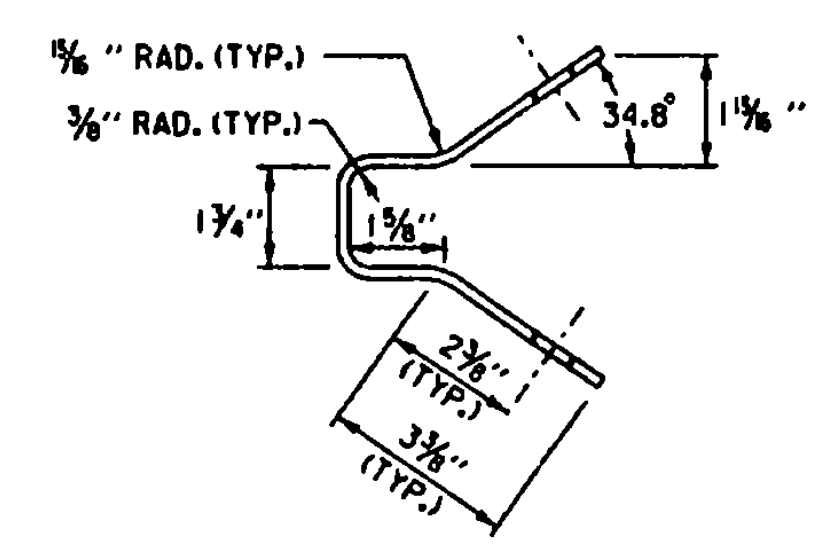


BUFFERED END SECTION FLAT PLATE LAYOUT
(MODIFIED ARTBA RE-7(21)3-79)

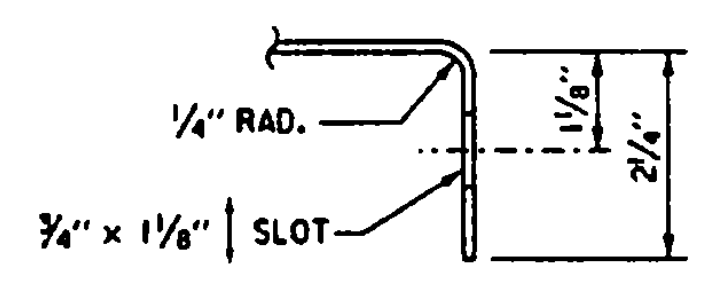
ALL SLOTS 3/32" x 1 1/8"
ALL BOLTS ARTBA F-3(1 1/4)3-76



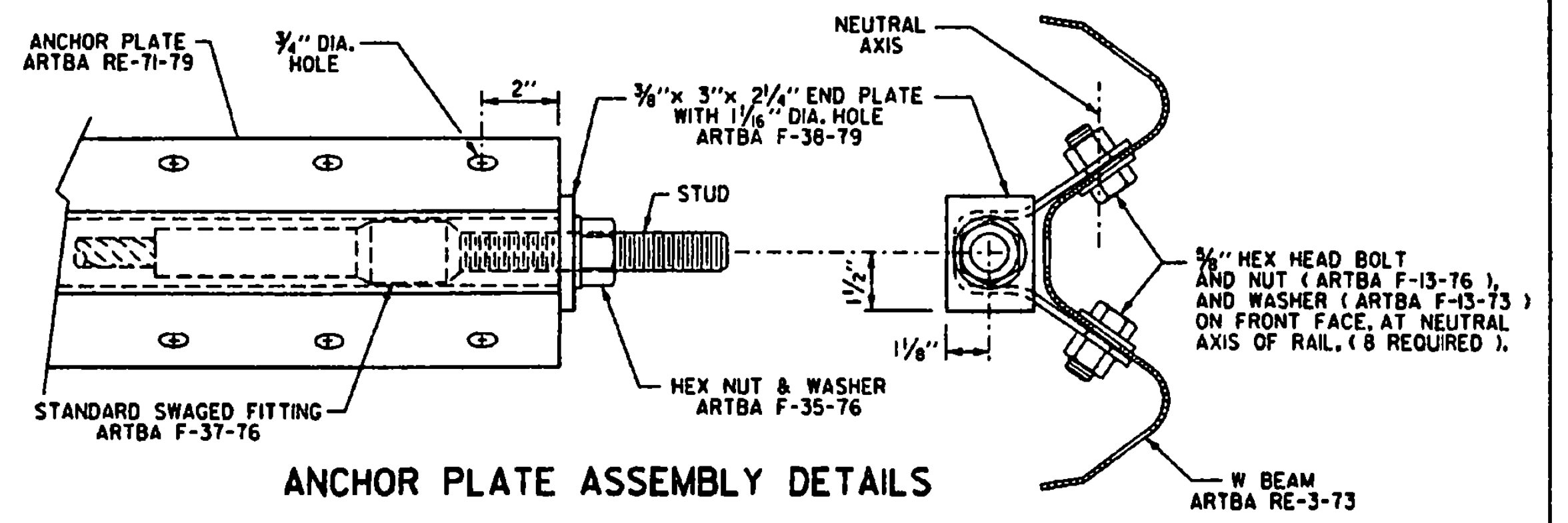
ANCHOR PLATE ARTBA RE-71-79



DIAPHRAGM PLATE DETAIL SECTION B-B

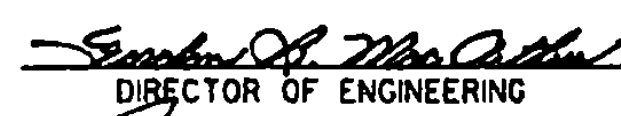
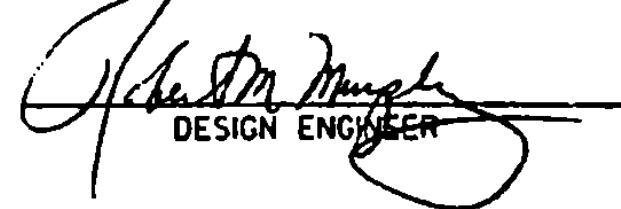


DIAPHRAGM PLATE DETAIL SECTION C-C

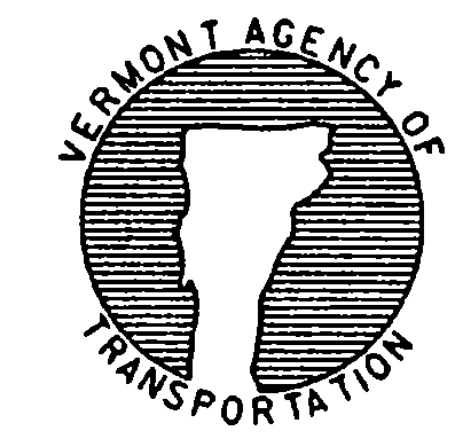


ANCHOR PLATE ASSEMBLY DETAILS

REVISIONS AND CORRECTIONS
JUNE 30, 1995 ORIGINAL APPROVAL

APPROVED

 DIRECTOR OF ENGINEERING

 DESIGN ENGINEER

MODIFIED ECCENTRIC LOADER TERMINAL WITH WOOD POSTS (MELT)



STANDARD G-17 b