

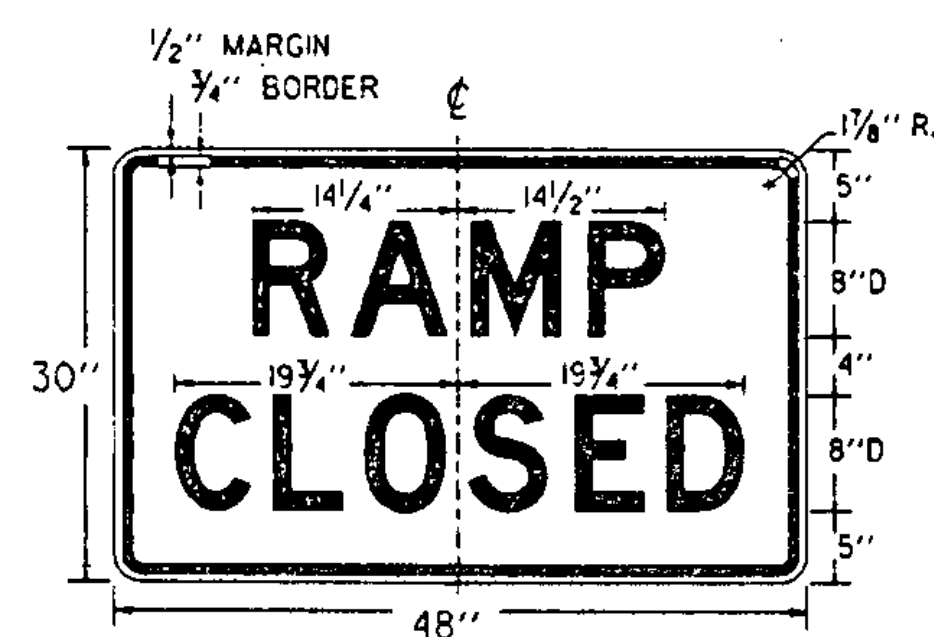
REMOVE DELINEATORS IN DECEL/ACCEL LANES TO POINT OF TAPER

COVER EXISTING REST AREA SIGNS AND WEIGH STATION SIGNS (IF APPLICABLE) ON THE MAINLINE.

COVER EXISTING MERGE SIGN ON THE MAINLINE

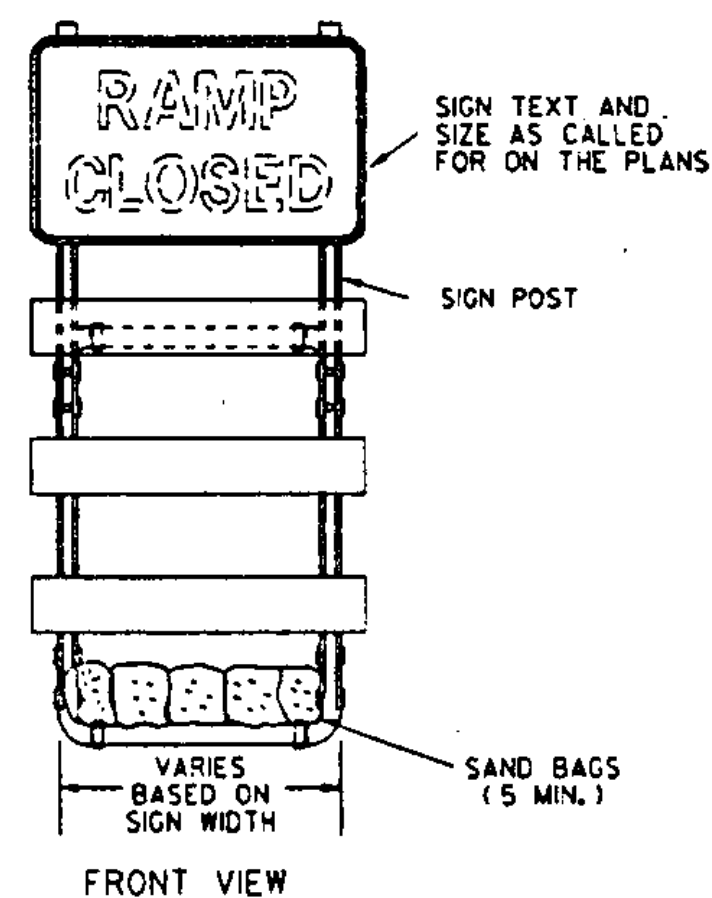
USE 30" X 48" "RAMP CLOSED" SIGN MOUNT SIGN ON THE CENTER TYPE III - BARRICADE STD SHT E-107A

NTS

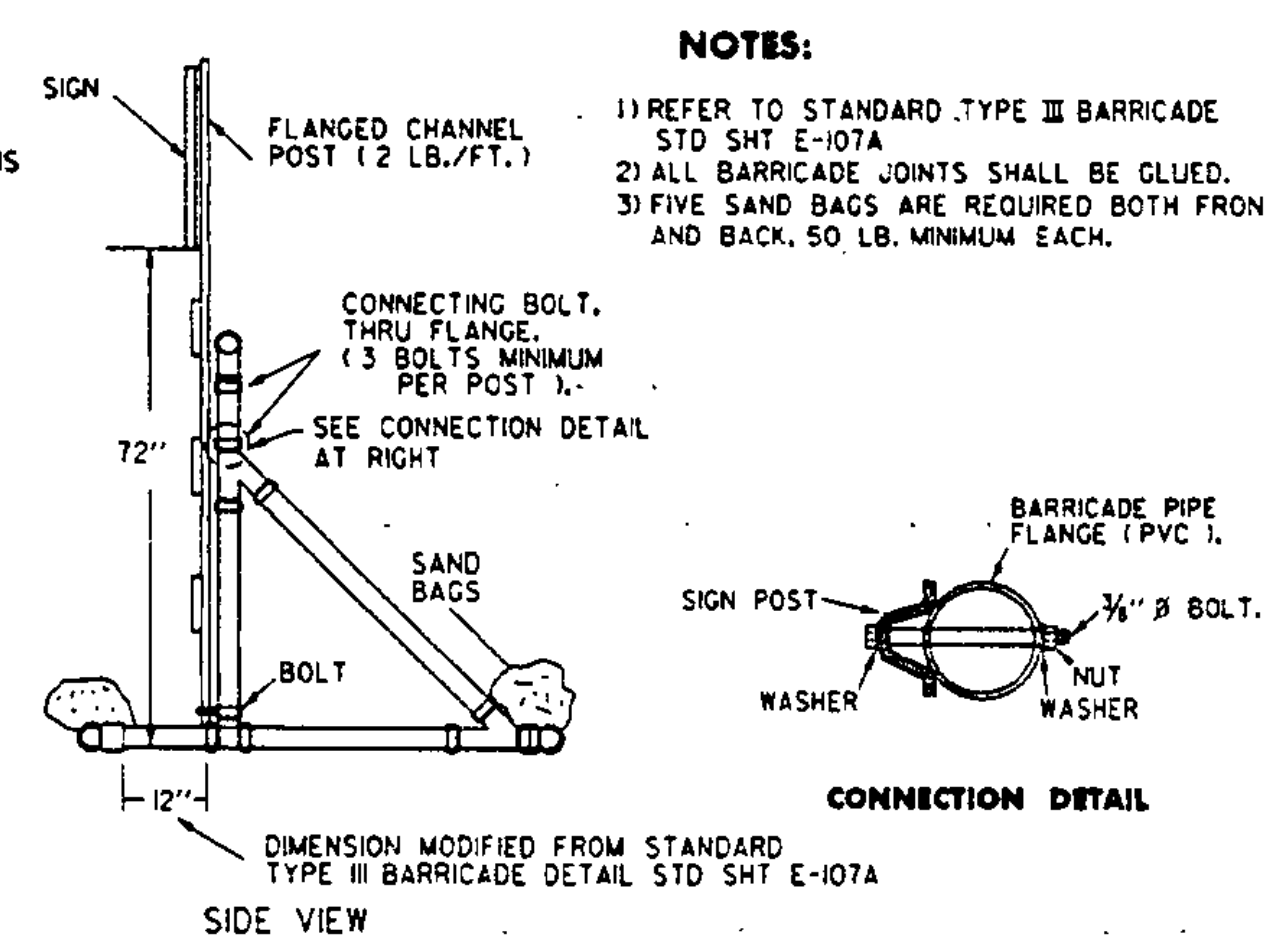


COLORS:
BLACK TEXT AND BORDER
WHITE REFLECTORIZED BACKGROUND

SEE STANDARD SHEET E-100 FOR NOTES AND TEXT DETAILS
SIGN DETAILS INDICATE THE APPROPRIATE COLOR.



SIGN MOUNTING ON TYPE III BARRICADE



NOTES:

- 1) REFER TO STANDARD TYPE III BARRICADE STD SHT E-107A
- 2) ALL BARRICADE JOINTS SHALL BE GLUED.
- 3) FIVE SAND BAGS ARE REQUIRED BOTH FRONT AND BACK, 50 LB. MINIMUM EACH.

LEGEND

- - CHANNELIZING DRUM
- ⊠ - TYPE III BARRICADES
- ↑ - INDICATES TRAFFIC DIRECTION
- +++ - REMOVAL OF EXISTING PAVEMENT MARKINGS

enrg1-1.i
/traf/enrg1/enrg1.dgn

**TEMPORARY
RAMP CLOSURE PACKAGE
FOR REST AREA**

PREPARED BY LCS DATE 9/95
 CHECKED BY DAR DATE
 DESIGN SUPERVISOR DAR DATE
 PROJ. LYNDON
IM - BLDG (2)

SHEET 19 OF 20 SHEETS