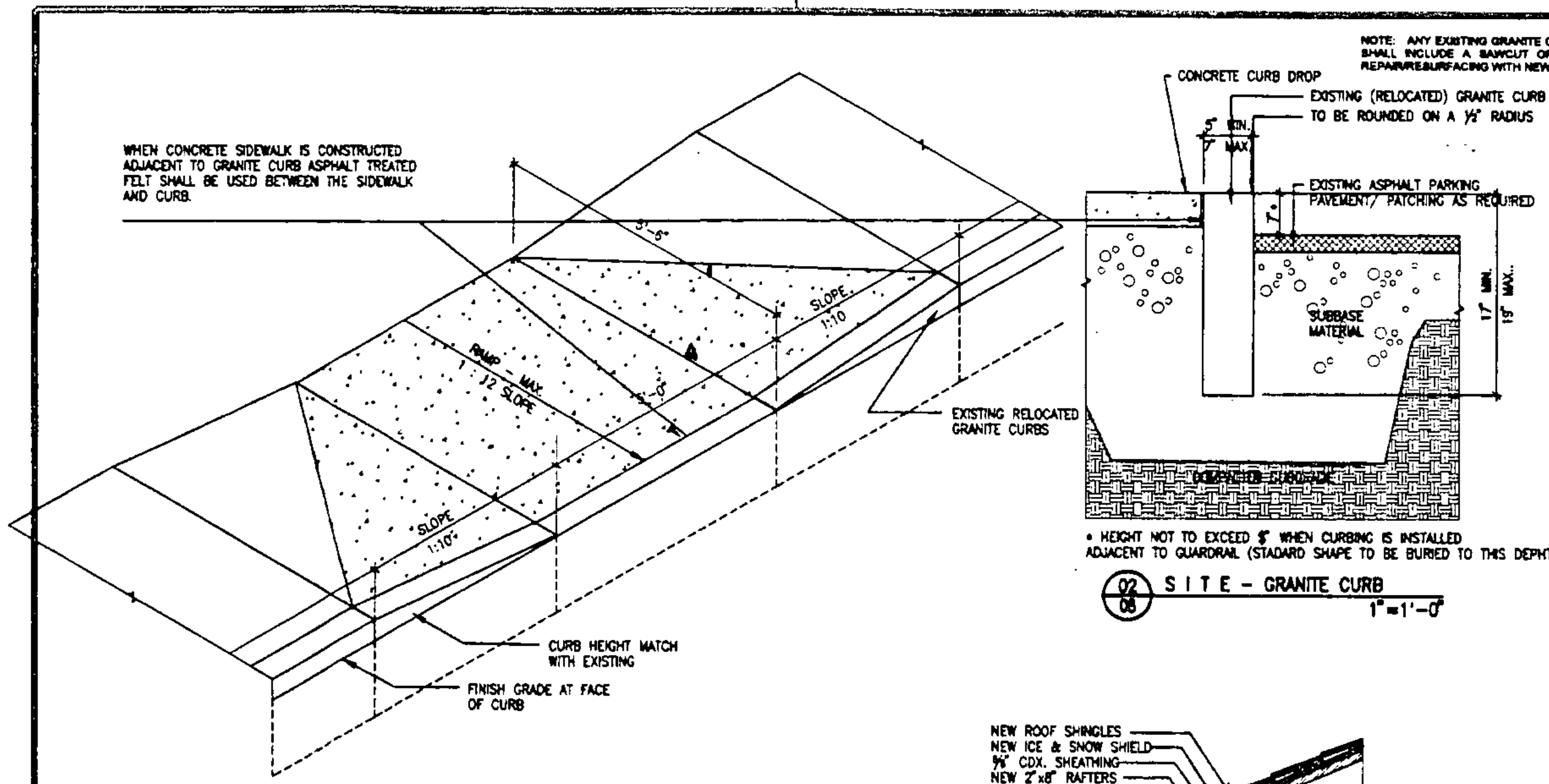
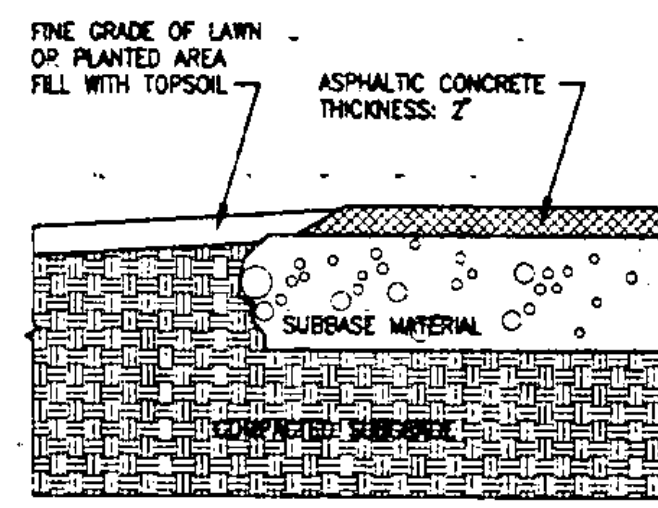


WHEN CONCRETE SIDEWALK IS CONSTRUCTED ADJACENT TO GRANITE CURB ASPHALT TREATED FELT SHALL BE USED BETWEEN THE SIDEWALK AND CURB.

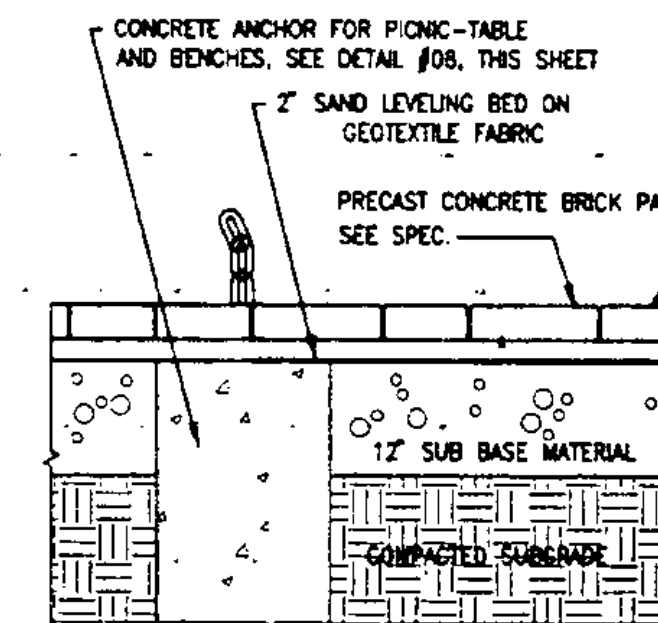


NOTE: ANY EXISTING GRANITE CURB REMOVAL WORK TO ALLOW FOR CURB REMOVAL SHALL INCLUDE A BANDWIDTH OF ADJACENT ASPHALT (1'-0" MAX. FROM CURB) AND REPAIR/SURFACING WITH NEW BITUMINOUS ASPHALT FLUSH WITH ADJACENT.

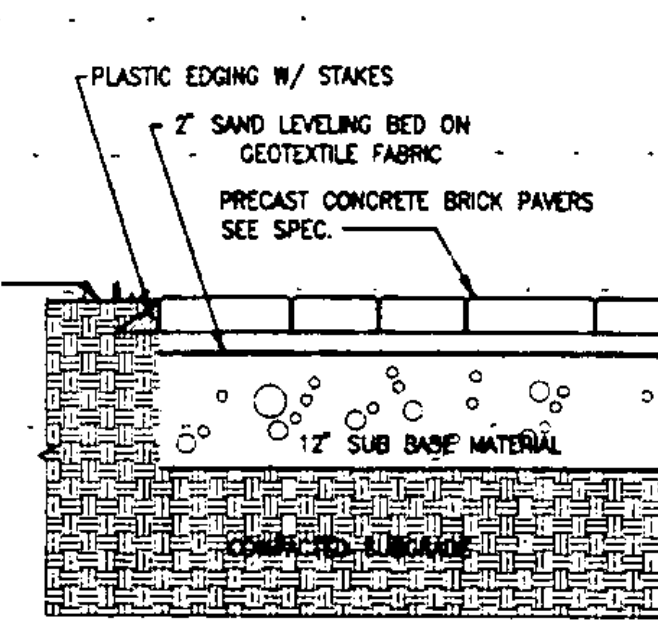
02 SITE - GRANITE CURB 1"=1'-0"



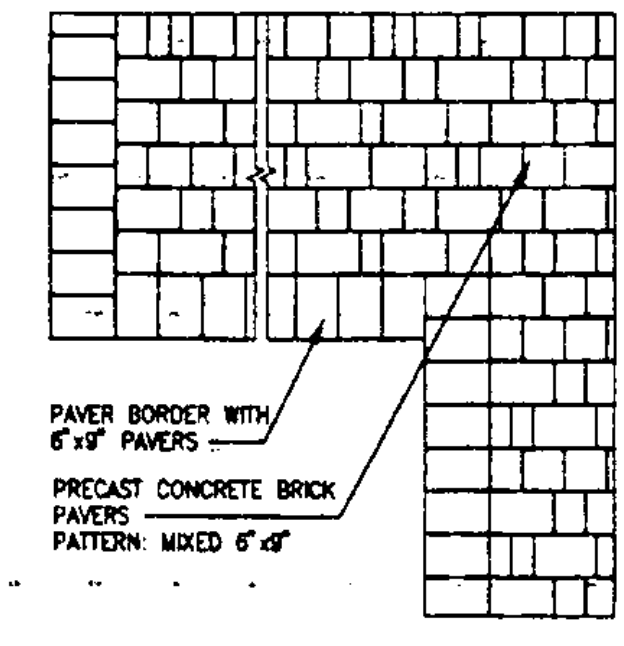
03 SITE - ASPHALT PAVEMENT 1"=1'-0"



04 SITE - PRECAST PAVERS CONECT.W/ CONCR. ANCHOR 1"=1'-0"

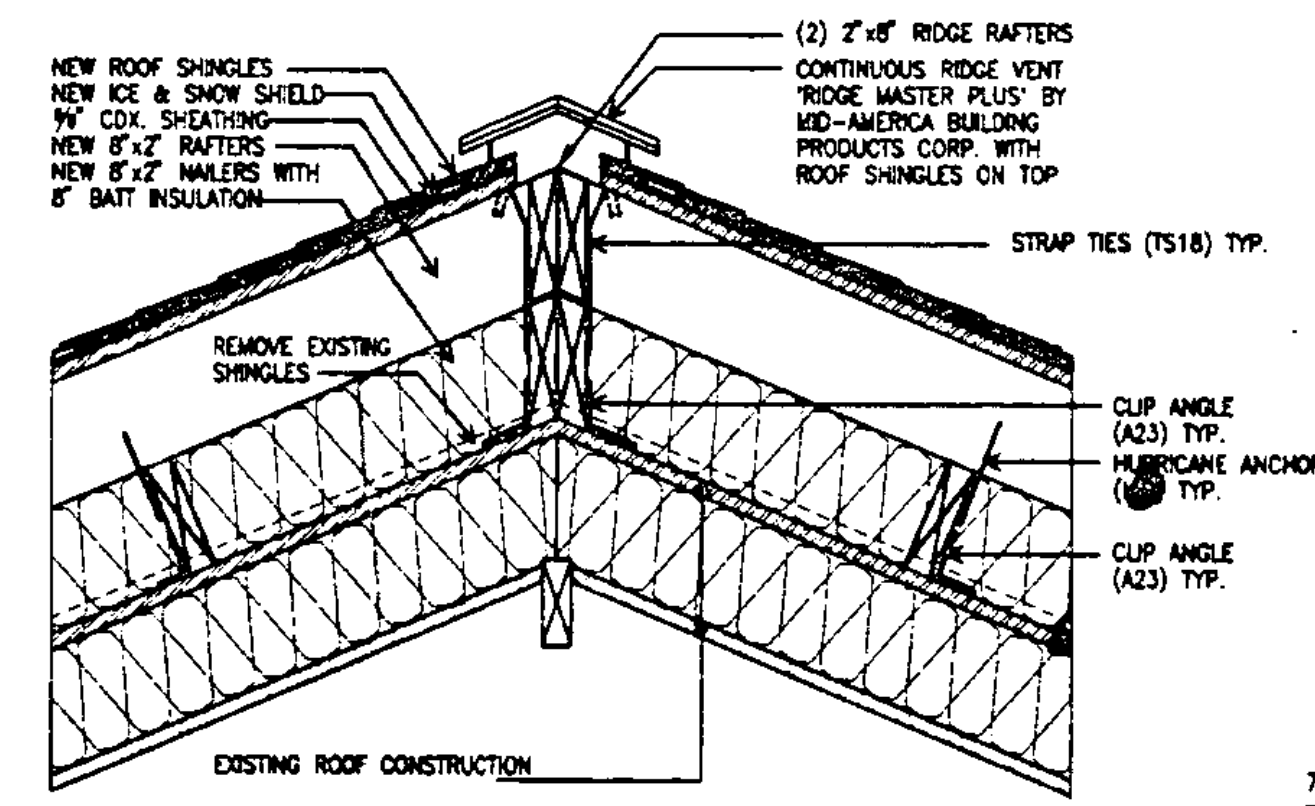


05 SITE - PRECAST PAVERS 1"=1'-0"

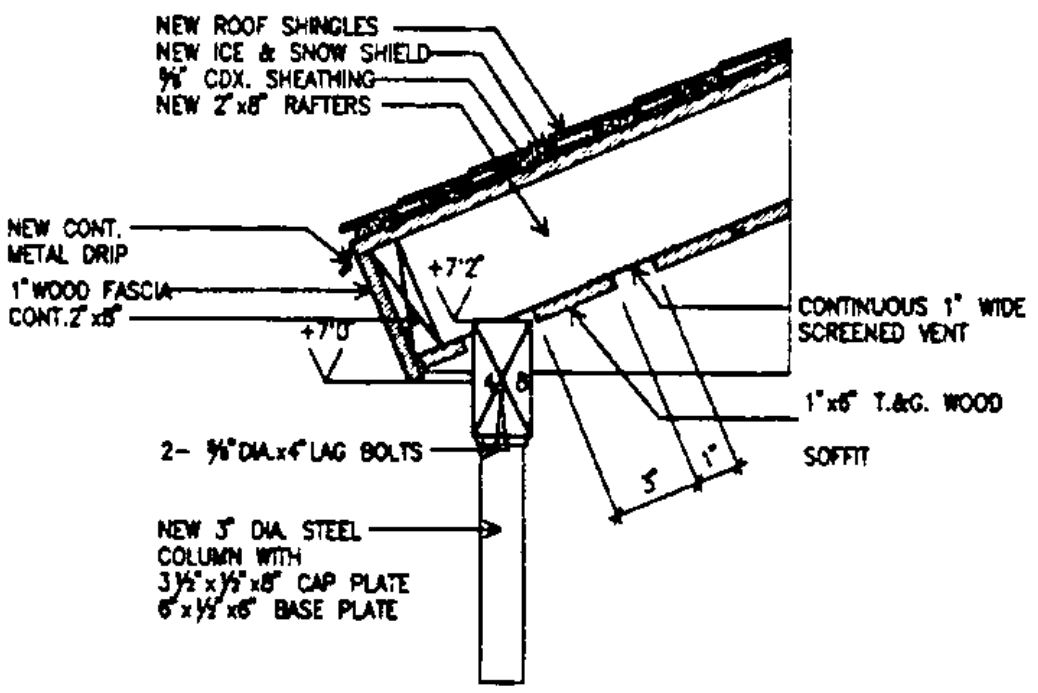


06 SITE - PRECAST PAVERS PATTERN 1/2"=1'-0"

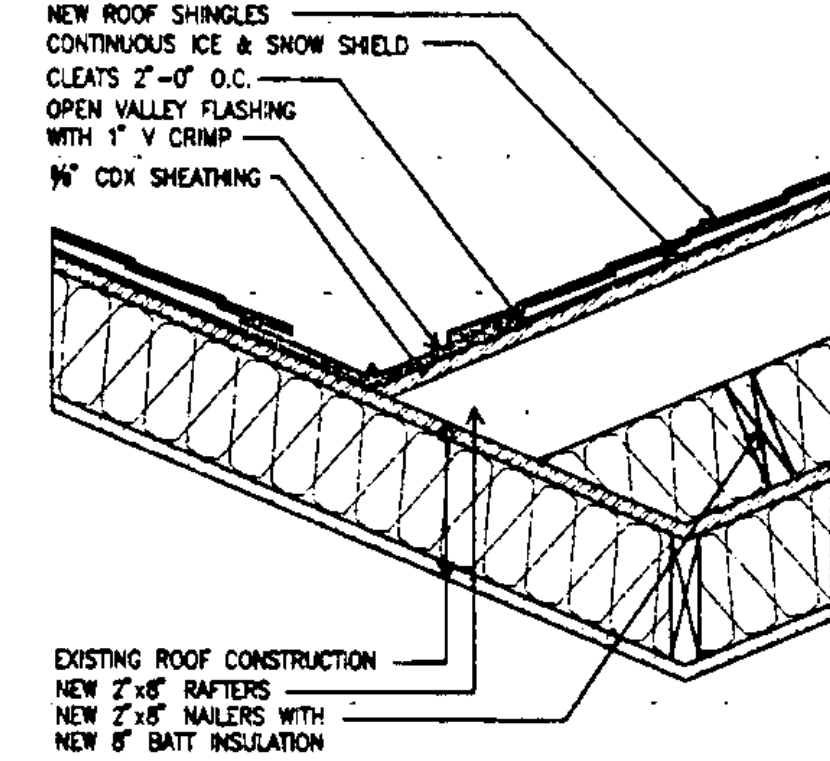
01 SITE - DROP CURB 1/2"=1'-0"



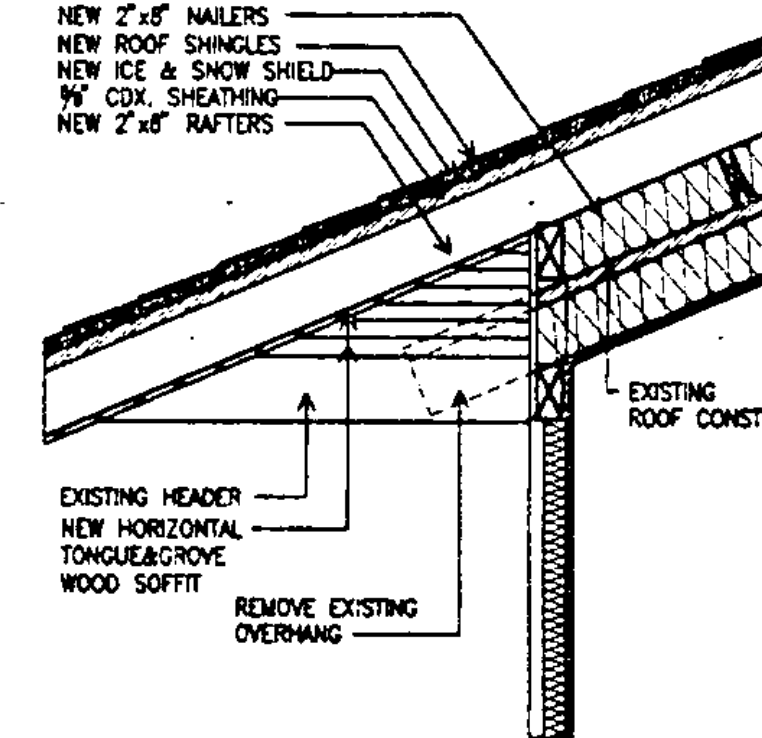
07 ROOF - SECTION TYPICAL ROOF RIDGE 1"=1'-0"



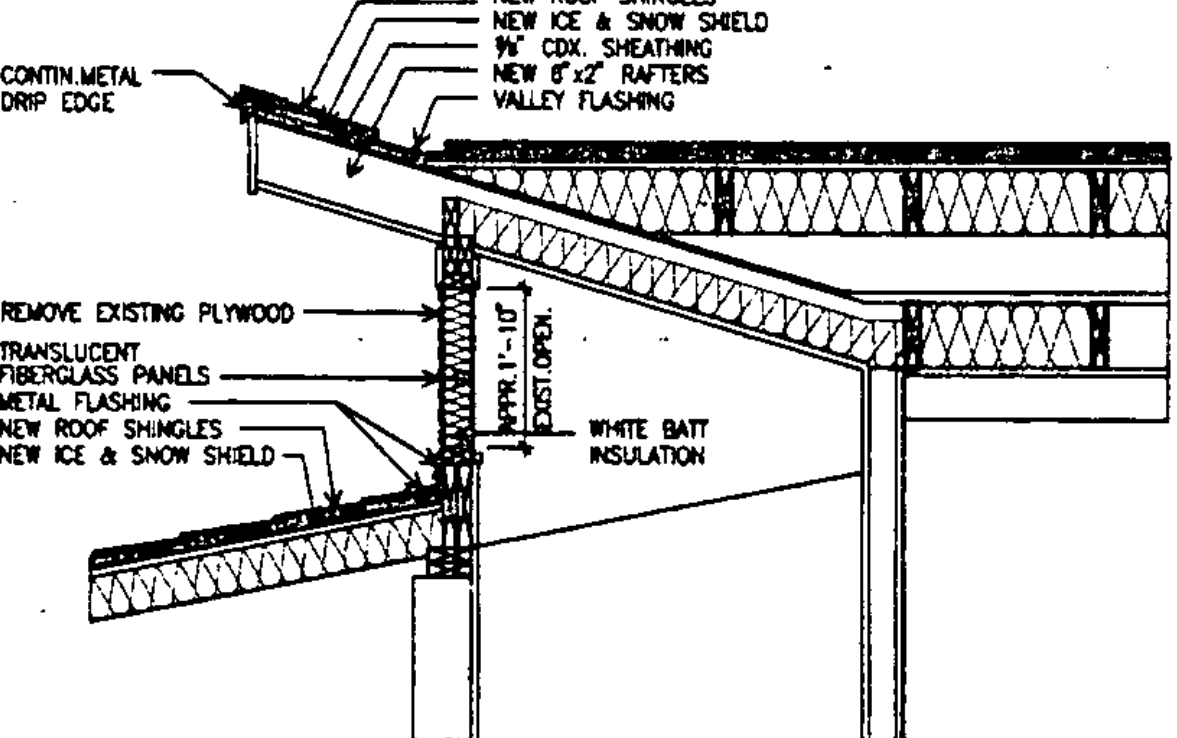
08 ROOF - SECTION TYPICAL ROOF EAVE 1"=1'-0"



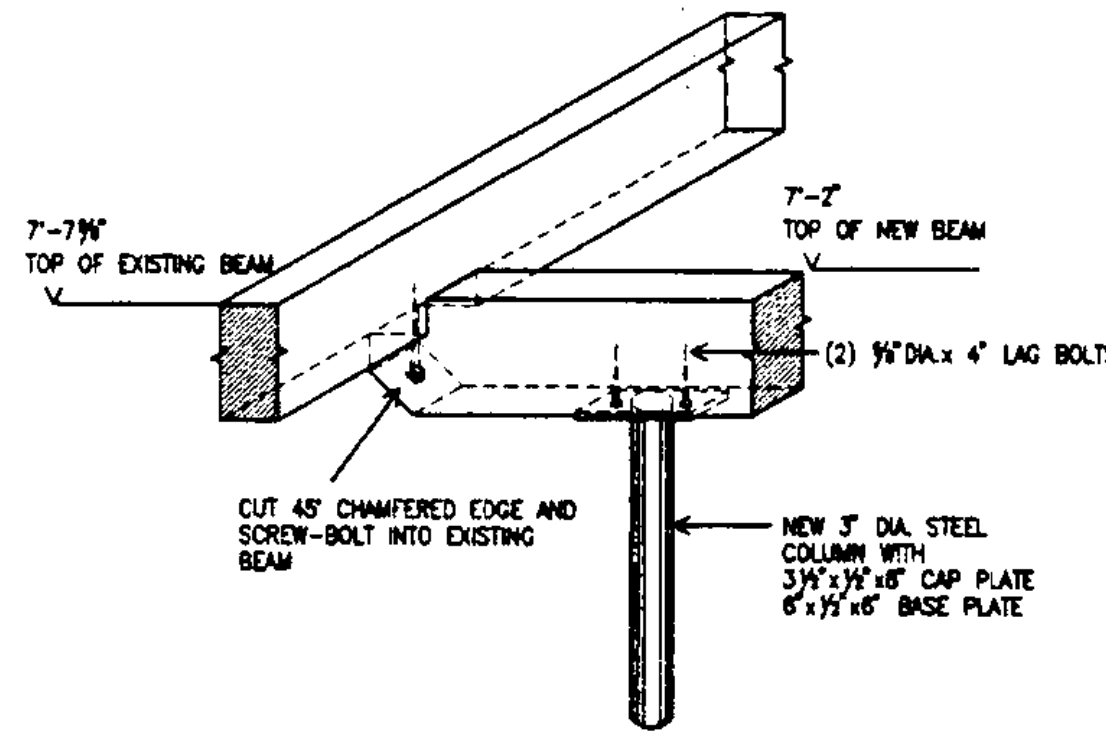
09 ROOF - SECTION TYPICAL ROOF VALLEY 1"=1'-0"



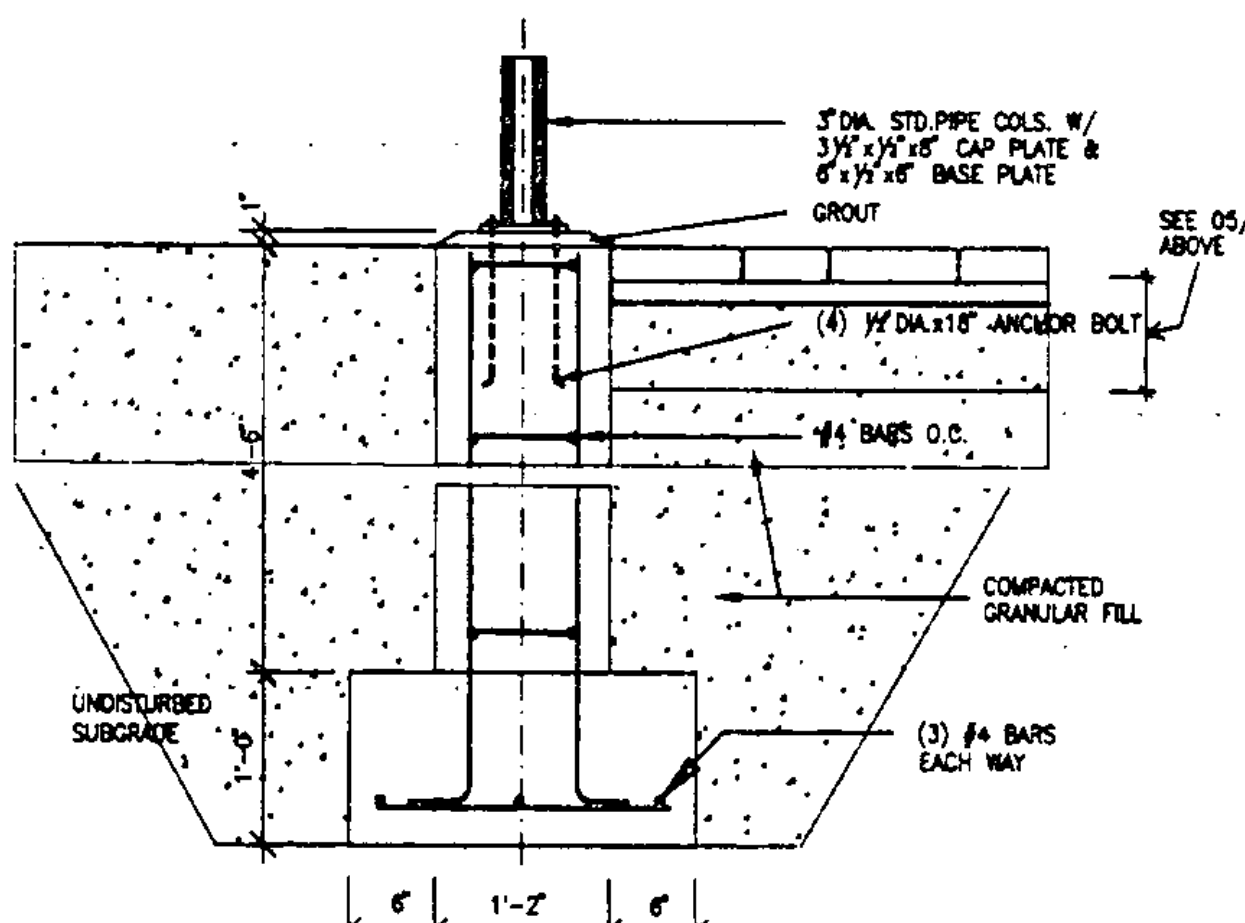
10 ROOF - SECTION DETAIL AT EXG/NEW ROOF 1"=1'-0"



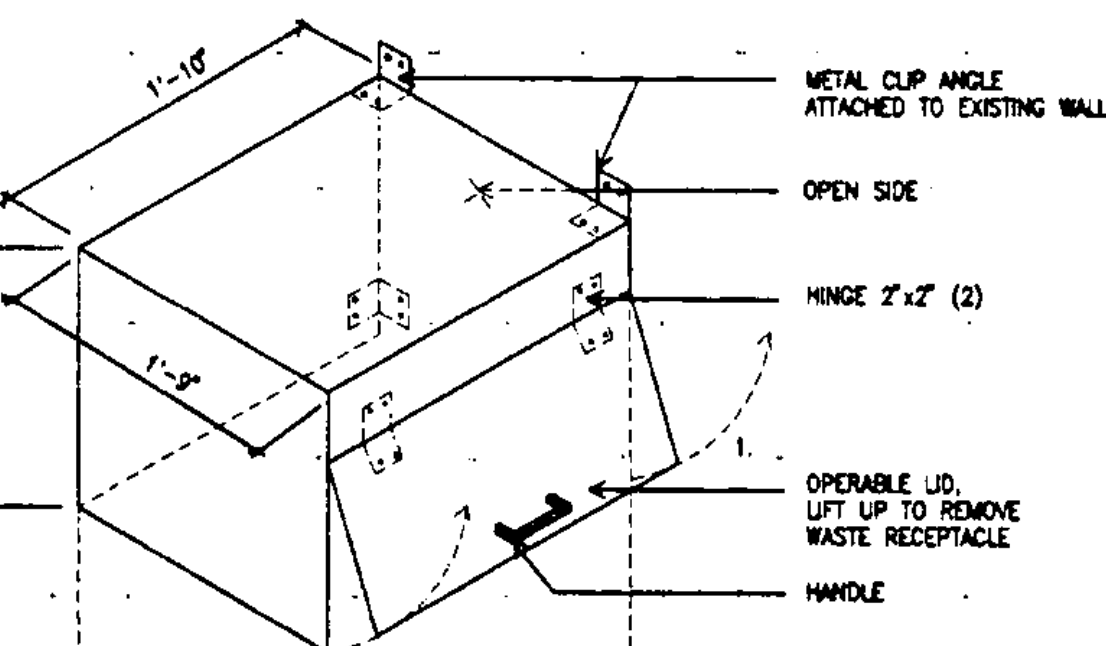
11 ROOF - SECTION CLERESTORY WINDOWS 1"=1'-0"



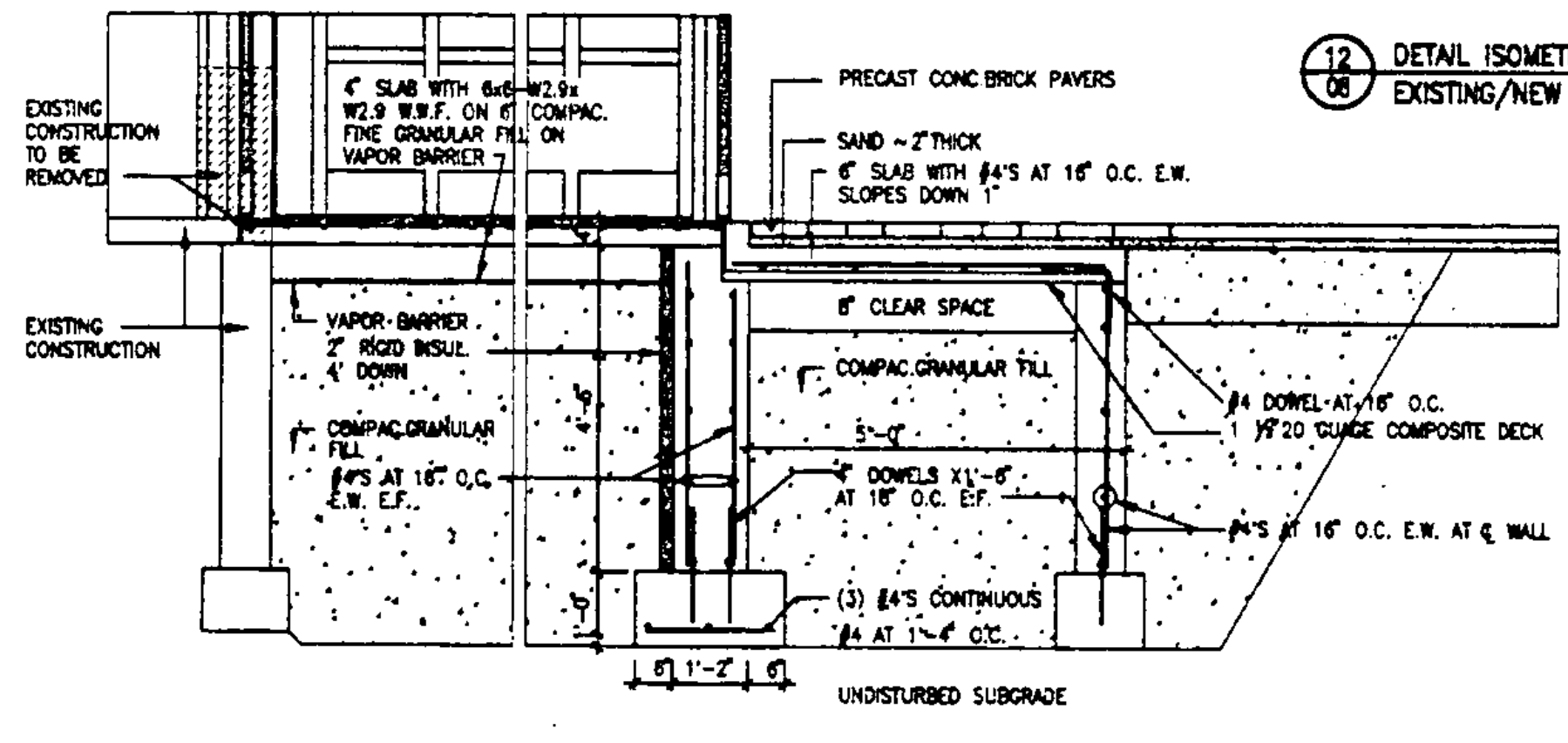
12 DETAIL ISOMETRIC EXISTING/NEW HEADER AT PORTICO 1"=1'-0"



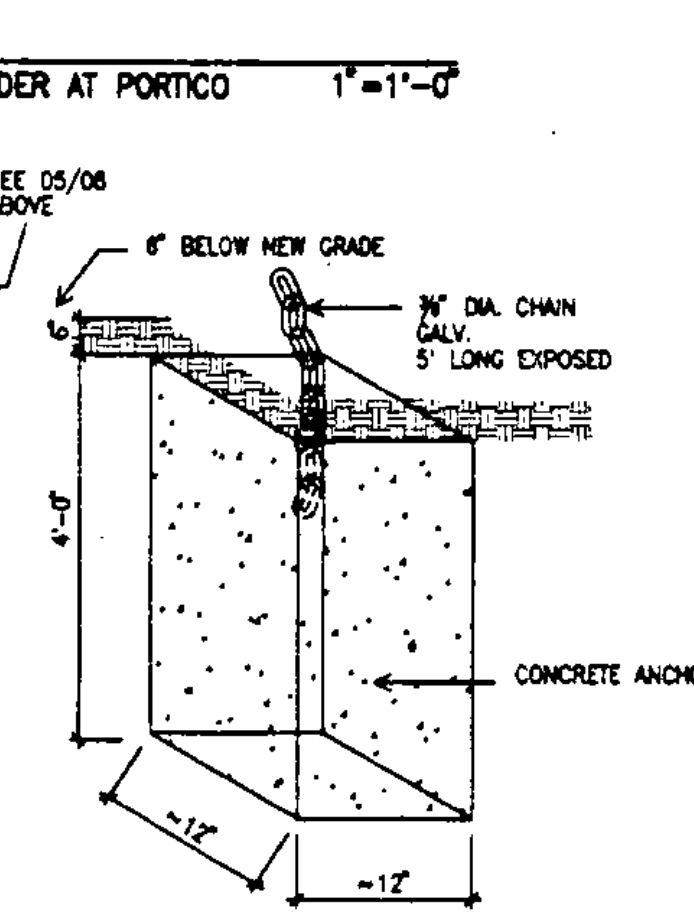
13 STRUCTURAL FOUNDATION DETAIL DETAIL COLUMN BASE 1"=1'-0"



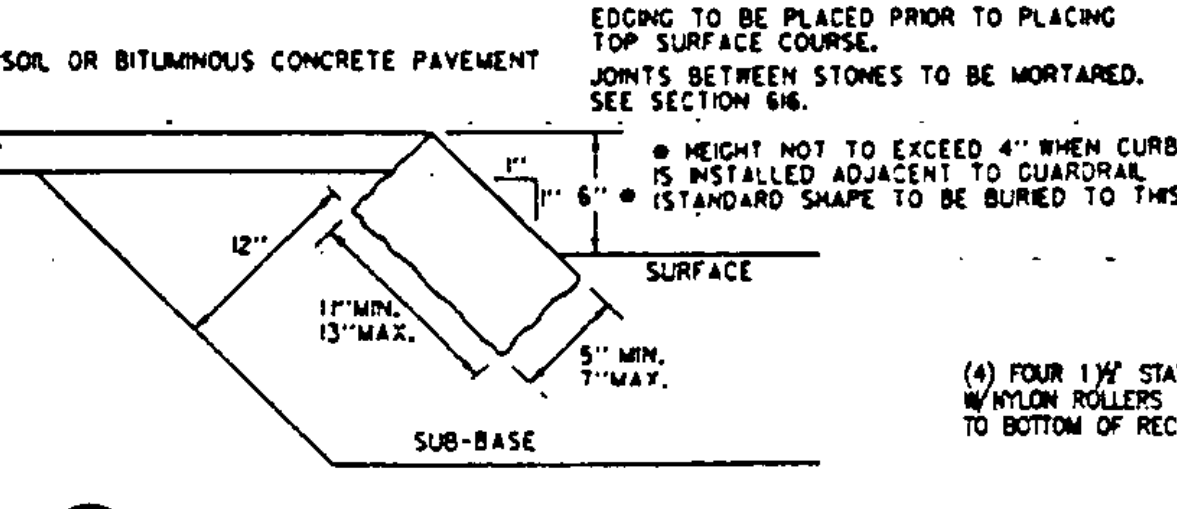
16 WASTE RECEPTACLE DETAILS



14 STRUCTURAL FOUNDATION DETAIL EXISTING \ NEW 1/2"=1'-0"



15 CONCRETE ANCHOR FOR PICNIC-TABLE AND BENCHES 1/2"=1'-0"



17 GRANITE SLOPED EDGING NOT TO SCALE

STATE OF VERMONT  
DEPARTMENT OF STATE BUILDINGS  
AGENCY OF ADMINISTRATION  
MONTPELIER, VERMONT

REST AREA REHABILITATION  
LYNDON I-90 SOUTHBOUND  
MISCELLANEOUS DETAILS

DATE: JUNE 9, 1985	SCALE: AS NOTED	REVISIONS:	DRAWING NO.: 08
DRAWN BY: B.L.J.	PROJECT NO.: IM-BLDG(2)		SHEET: 11 OF 29
APPROVED BY: JEA			

